

[54] WOOD BURNING STOVE

[75] Inventor: Arthur B. Pruitt, Rocky Mount, Va.

[73] Assignee: Pruitt's Welding & Wood Burning Stove Shop, Inc., Rocky Mount, Va.

[\*\*] Term: 14 Years

[21] Appl. No.: 834,699

[22] Filed: Sep. 19, 1977

[51] Int. Cl. .... D23-03

[52] U.S. Cl. .... D23/97

[58] Field of Search ..... D23/72, 86, 89, 92, D23/93, 94, 97, 105, 107, 108, 127, 128; D7/112, 113, 114; 126/4, 6, 58, 59, 60, 62, 65, 120, 121, 123, 126, 138, 190, 200, 211, 217

[56] References Cited

U.S. PATENT DOCUMENTS

D. 237,798 11/1975 Fisher ..... D23/72  
D. 238,364 1/1976 Kategianis ..... D23/97 X

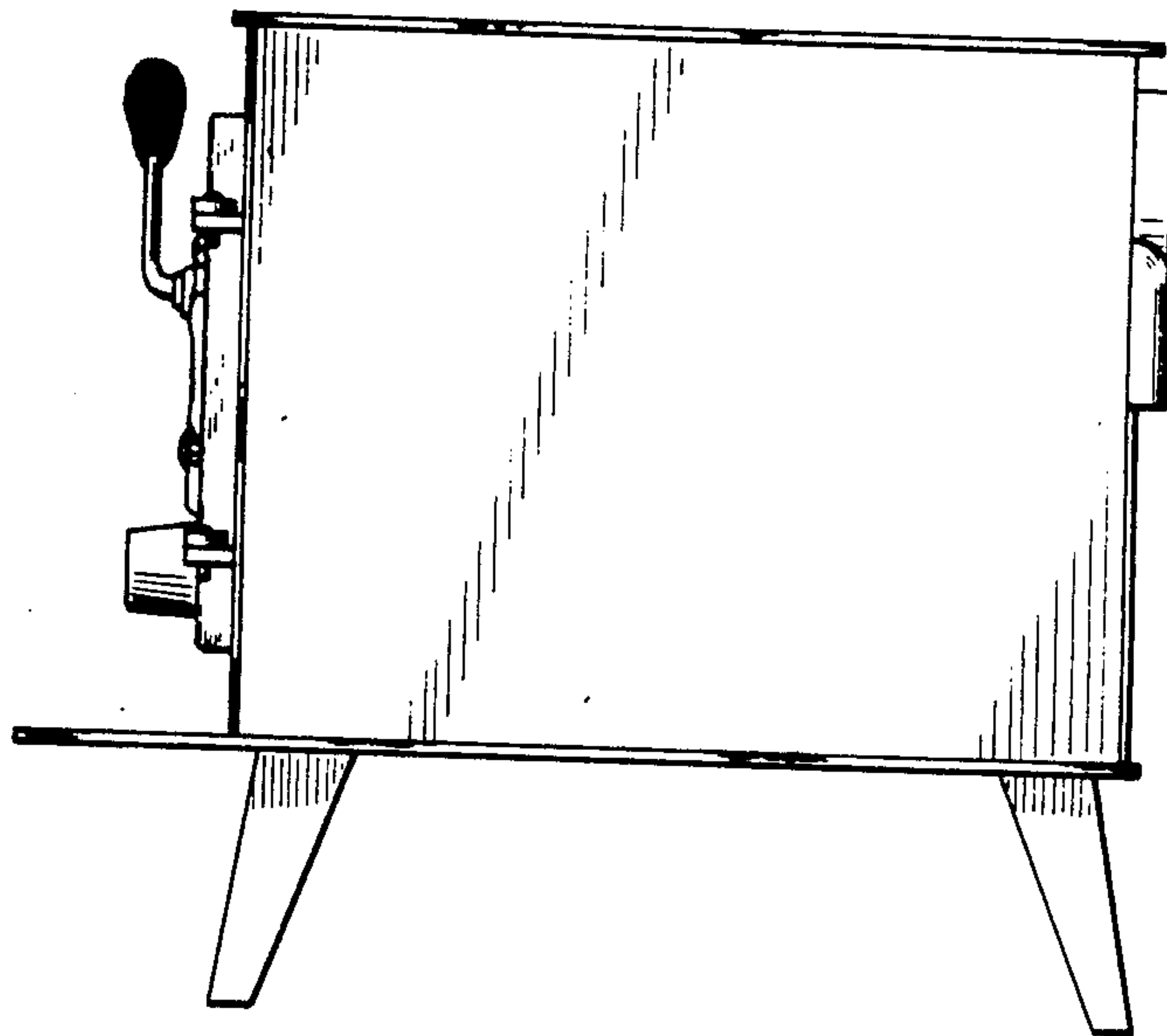
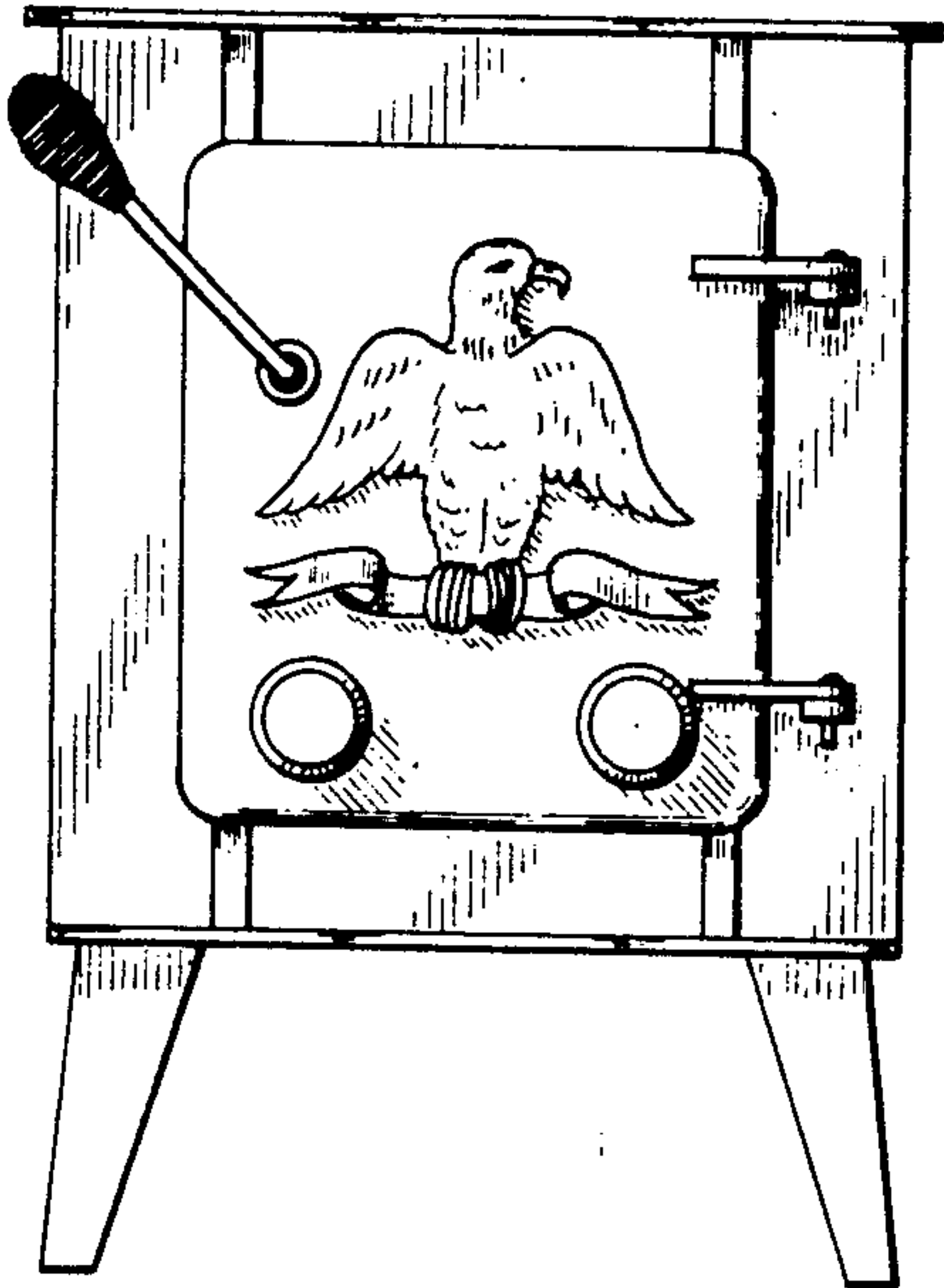
Primary Examiner—Wallace R. Burke  
Assistant Examiner—Catherine Kemper  
Attorney, Agent, or Firm—David Rabin

[57] CLAIM

The ornamental design for a wood burning stove, as shown and described.

DESCRIPTION

FIG. 1 is a front elevational view of a wood burning stove, showing my new design;  
FIG. 2 is a right side elevational view thereof, the left side being a mirror image thereof;  
FIG. 3 is a top plan view thereof;  
FIG. 4 is a rear elevational view thereof.



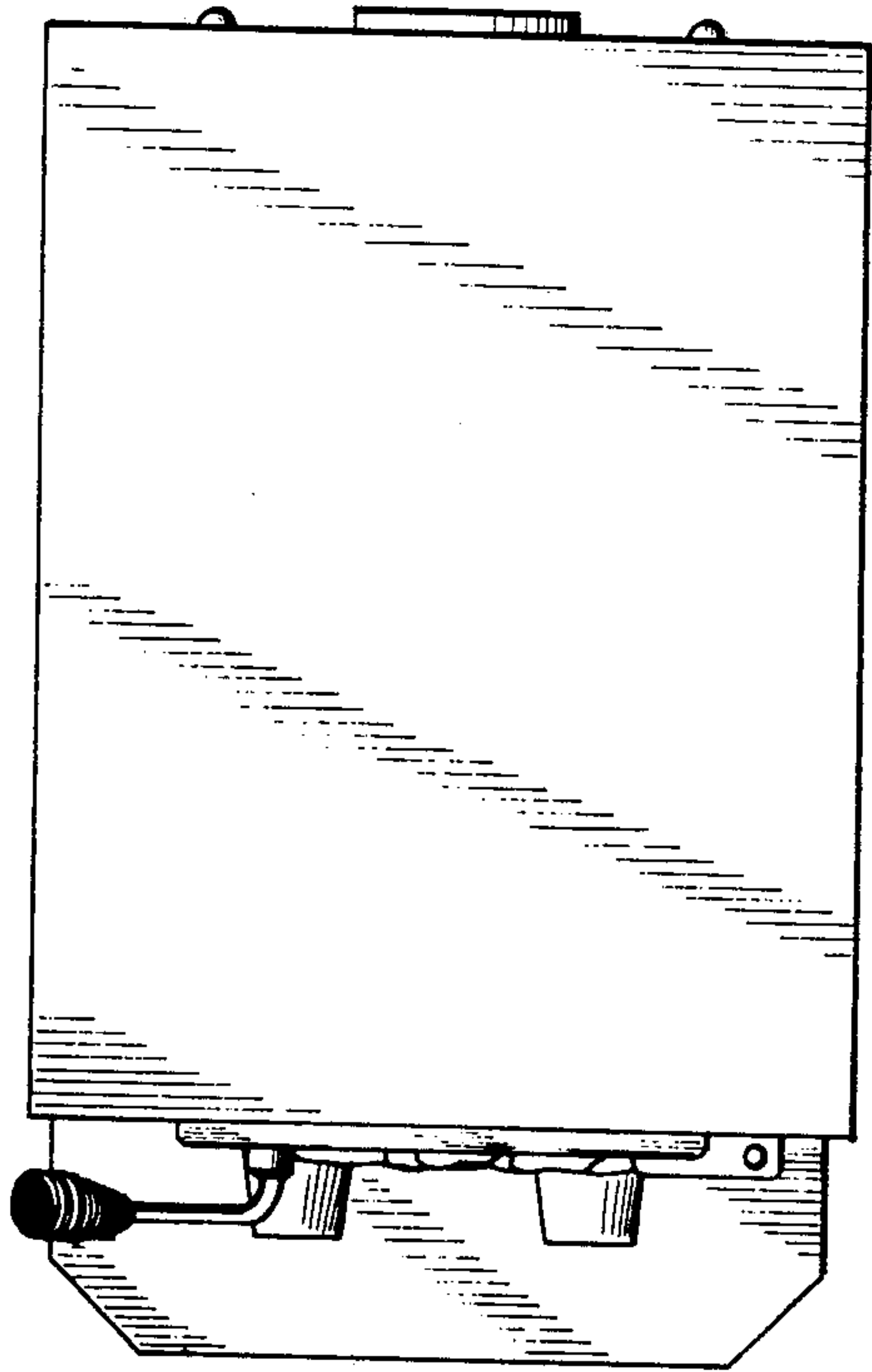


FIG. 3

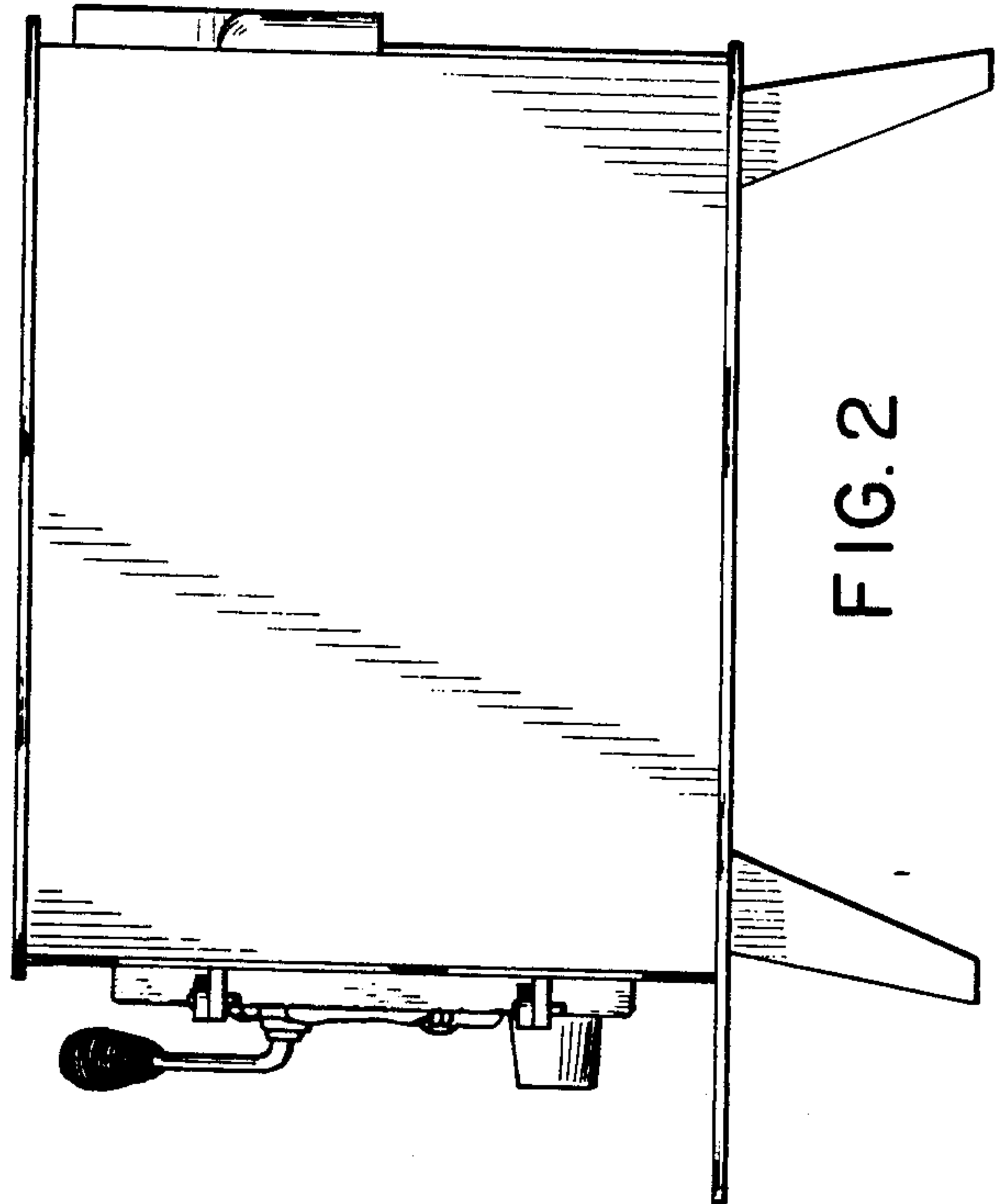


FIG. 2

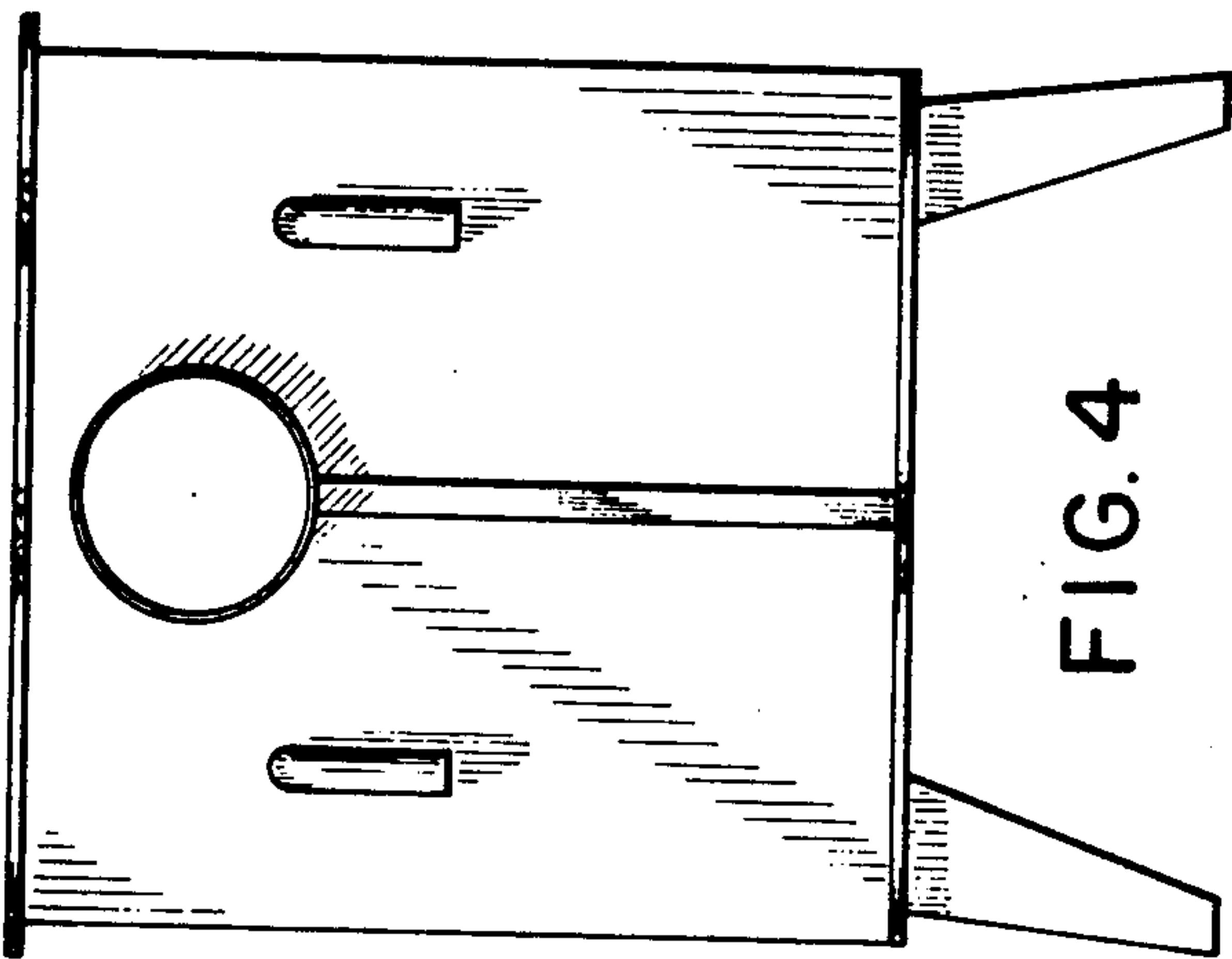


FIG. 4

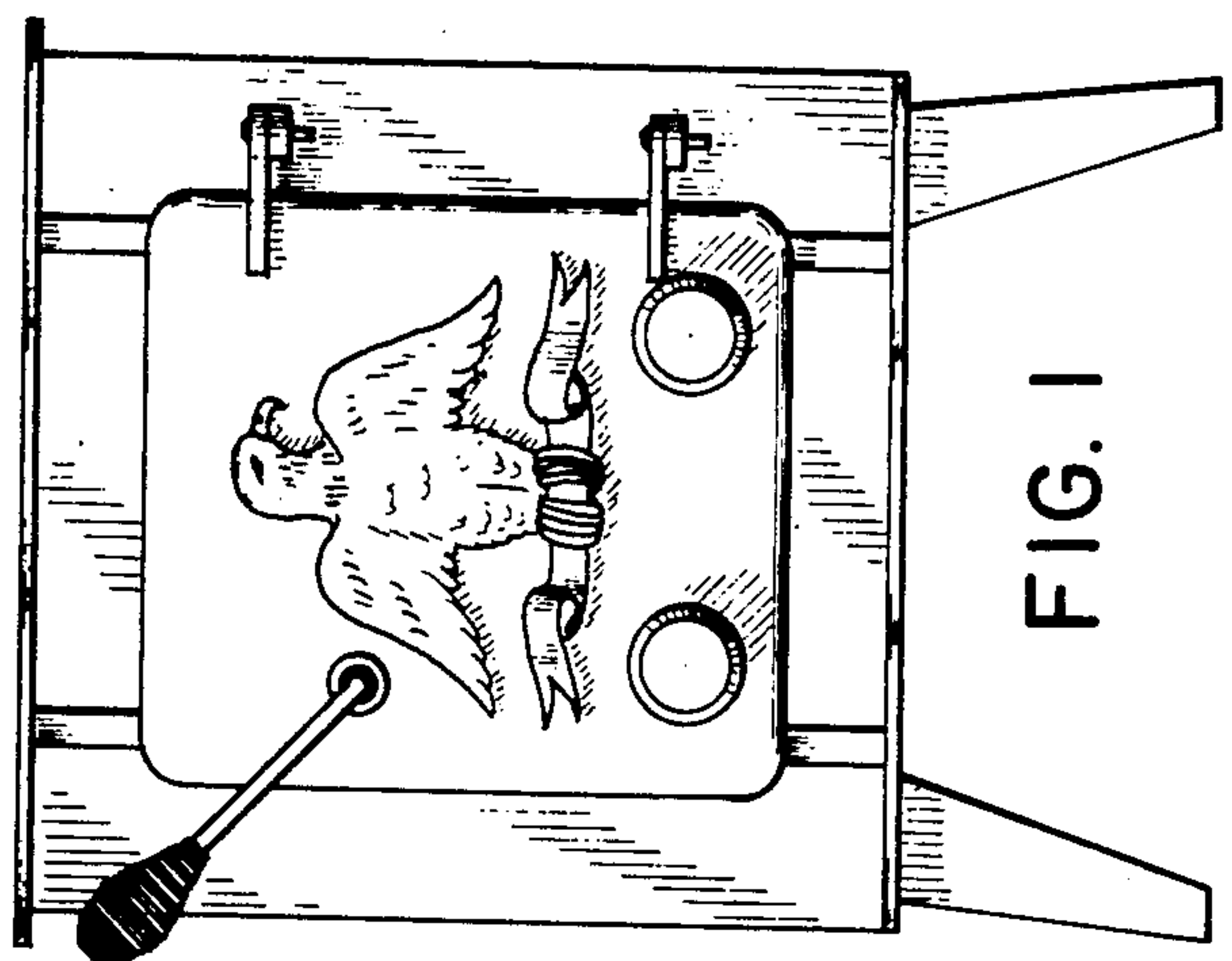


FIG. 1