

[54] FILTER BAFFLE PLATE

[76] Inventor: Peter A. Cattano, Sr., 140 E. Merrick Rd., Freeport, N.Y. 11520

[**] Term: 14 Years

[21] Appl. No.: 767,284

[22] Filed: Feb. 2, 1977

[51] Int. Cl. D23-01

[52] U.S. Cl. D23/4; D23/42

[58] Field of Search D23/1-4; 210/293; D23/42

[56] References Cited

U.S. PATENT DOCUMENTS

D. 128,670 8/1941 Marks D23/4

D. 201,390	6/1965	Krynski	D23/4 X
D. 235,870	7/1975	Sheehan	D23/4
2,525,497	10/1950	Monfried	210/293
2,528,065	10/1950	Lundberg	210/293
3,631,987	1/1972	Cattano, Sr.	210/452
3,986,958	10/1976	Cattano	210/169

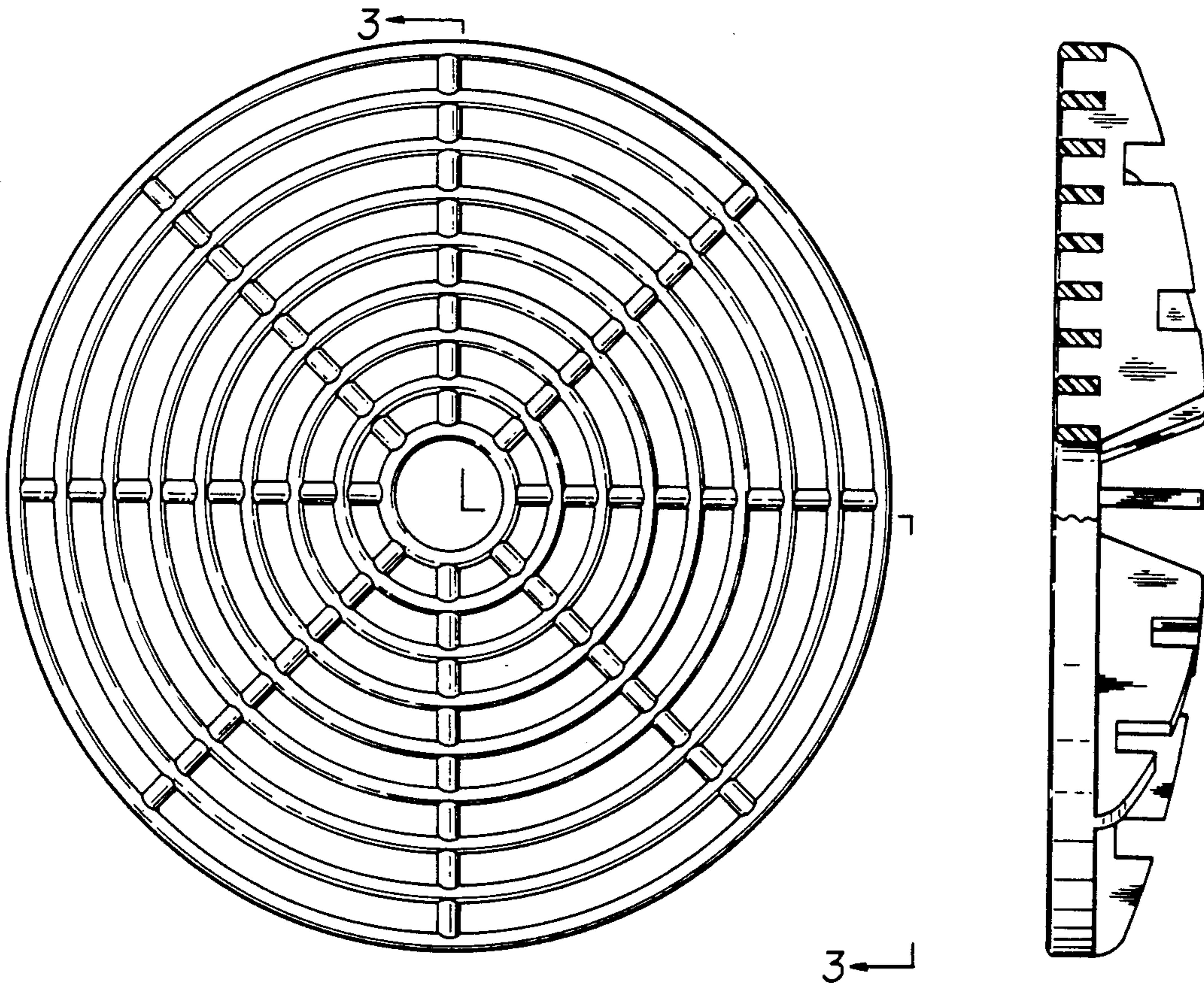
Primary Examiner—James R. Largen
Attorney, Agent, or Firm—Jerome Bauer

[57] CLAIM

The ornamental design for a filter baffle plate, as shown.

DESCRIPTION

FIG. 1 is a top plan view of a filter baffle plate showing my new design;
FIG. 2 is a bottom plan view thereof; and
FIG. 3 is a fragmentary cross sectional view taken on line 3—3 of FIG. 1.



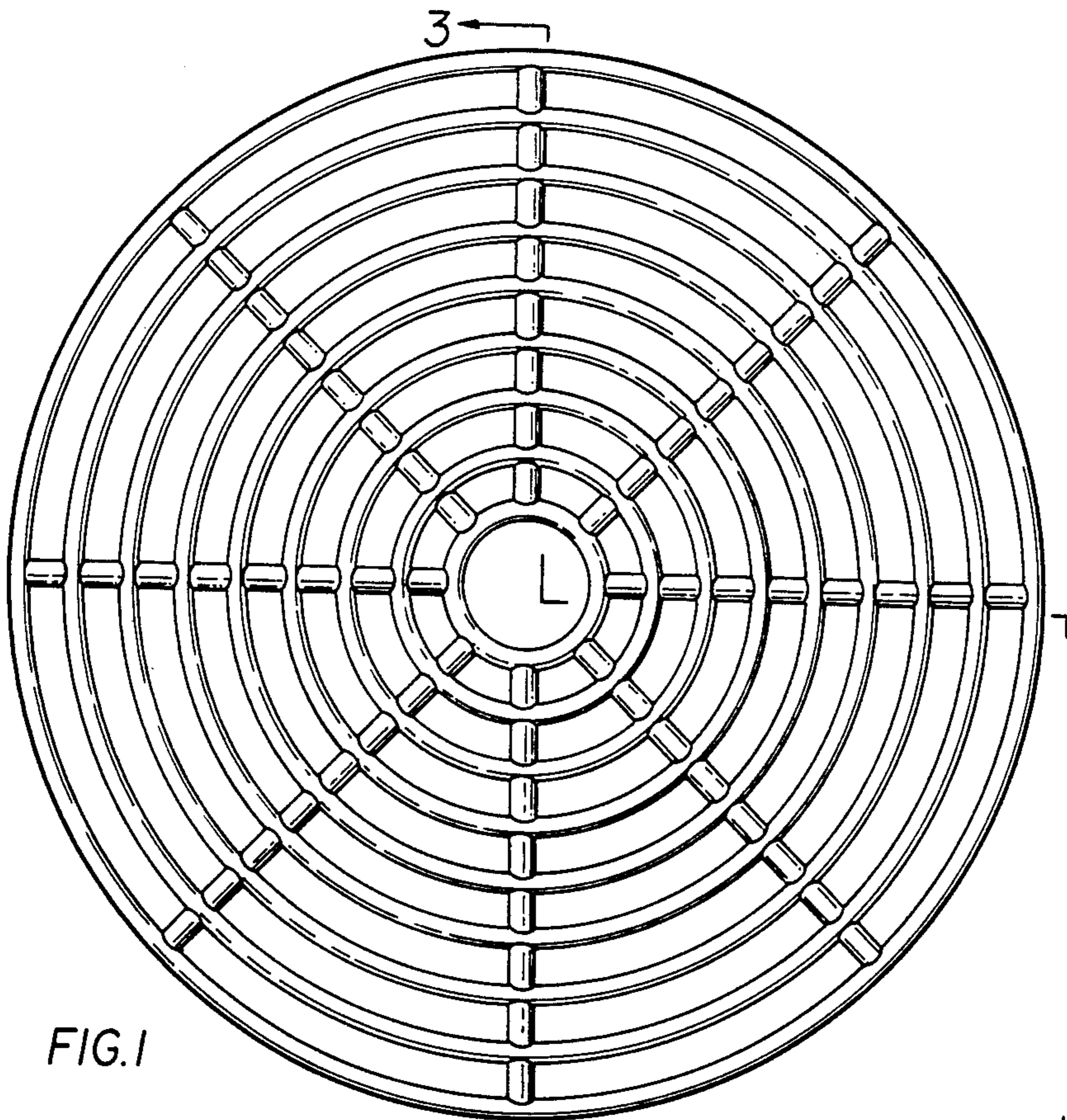


FIG. 1

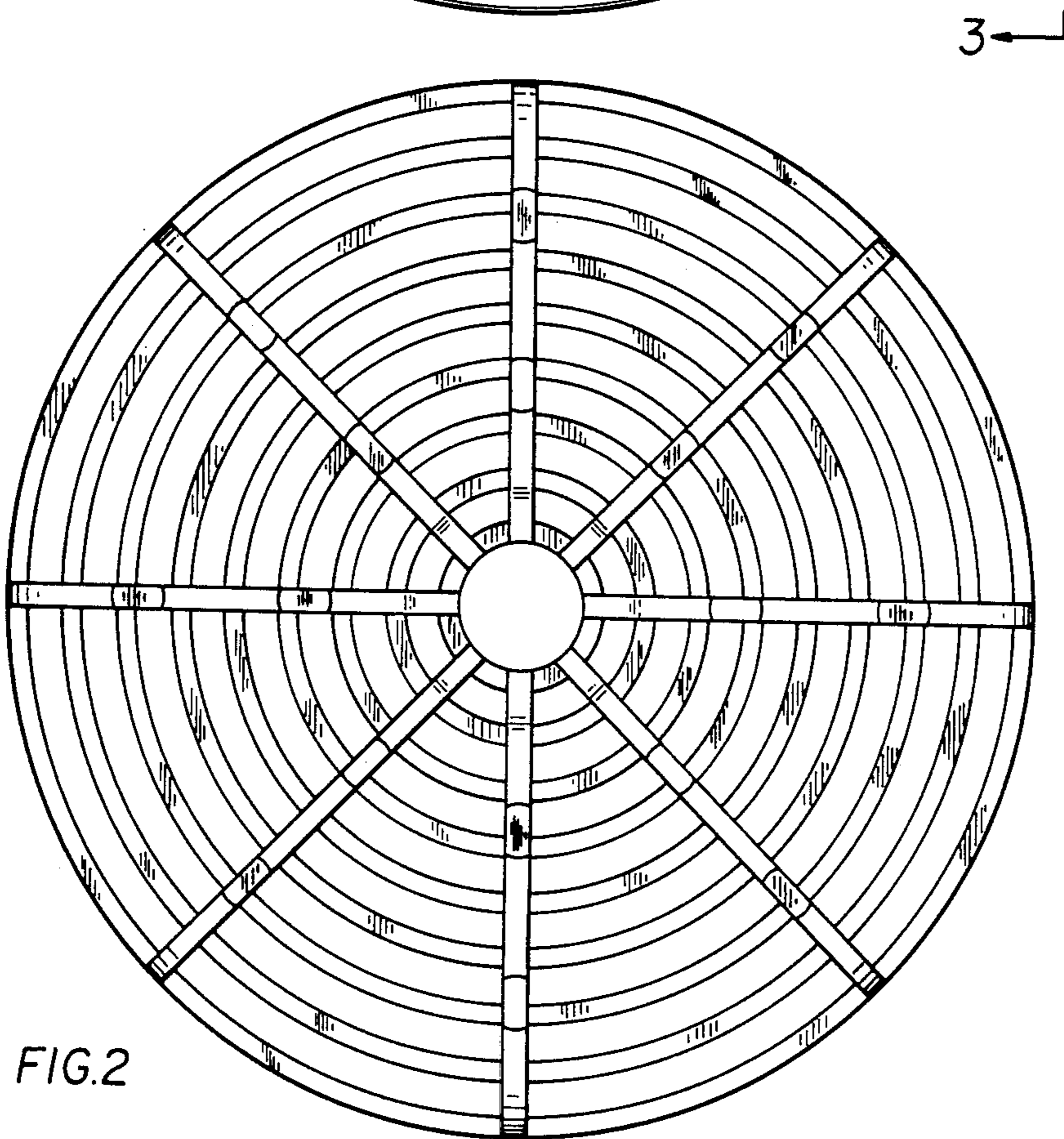


FIG. 2

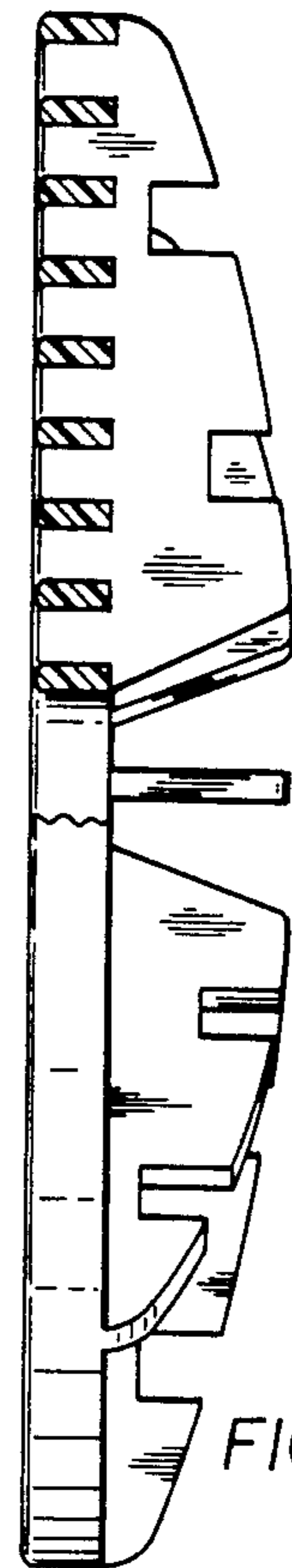


FIG. 3