

[54] **TELESCOPIC SIGHT MOUNT FOR FIREARMS**

[76] Inventor: **Gerald T. Weast**, 23702 Crossley, Hazel Park, Mich. 48050

[**] Term: **14 Years**

[21] Appl. No.: **751,136**

[22] Filed: **Dec. 16, 1976**

[51] Int. Cl. **D22-01**

[52] U.S. Cl. **D22/7; 248/205 R; 248/229**

[58] Field of Search 248/229, 205 R; D22/6, D22/78; 33/259; D16/50

3,734,437 5/1973 Underwood 248/205 R
 3,778,537 12/1973 Miller 248/229

Primary Examiner—Bernard Ansher
Attorney, Agent, or Firm—Charles W. Chandler

[57] **CLAIM**

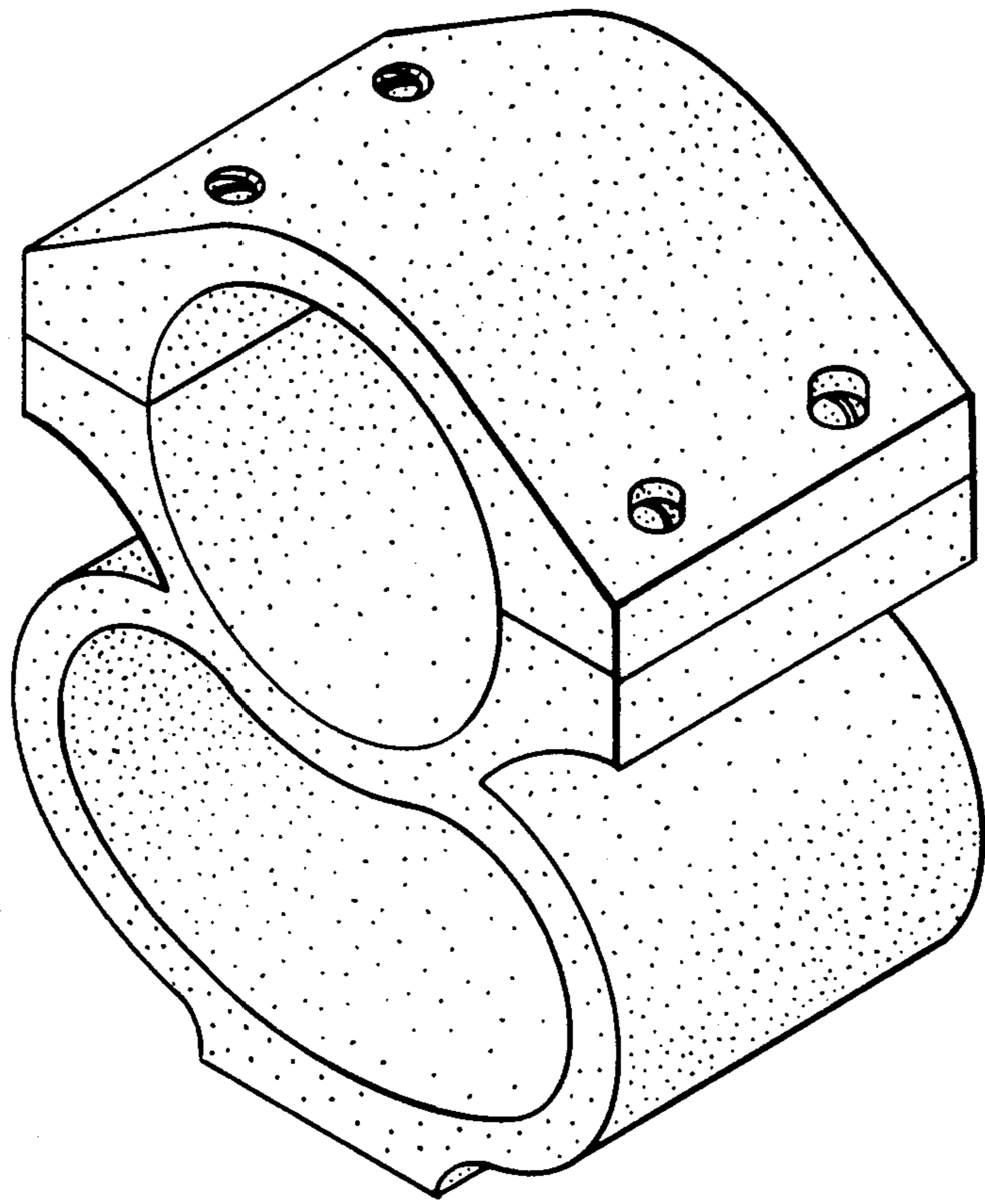
The ornamental design for a telescopic sight mount for firearms, as shown and described.

DESCRIPTION

FIG. 1 is a perspective view of a telescopic sight mount for firearms showing my new design;
 FIG. 2 is an end view of the mount of FIG. 1, the other end being identical thereto;
 FIG. 3 is a side view taken along lines 3—3 of FIG. 2; and
 FIG. 4 is a view showing one side of another embodiment of my invention, the opposite side being a mirror image thereof, and both end views looking similar to FIG. 2.

[56] **References Cited**
U.S. PATENT DOCUMENTS

3,295,811	1/1967	Giwoosky	248/229
3,724,800	4/1973	Rubin	248/205 R



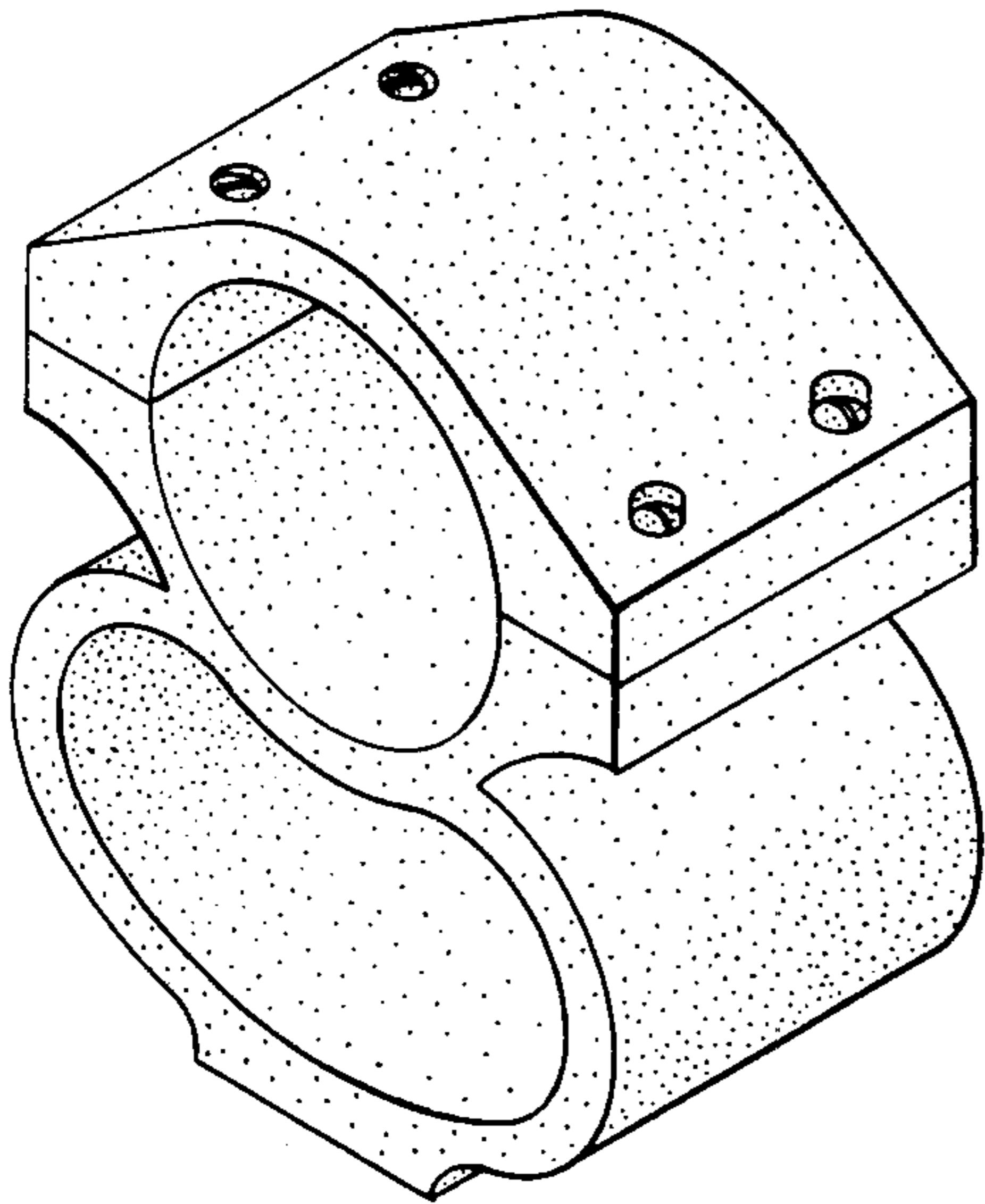


Fig. 1

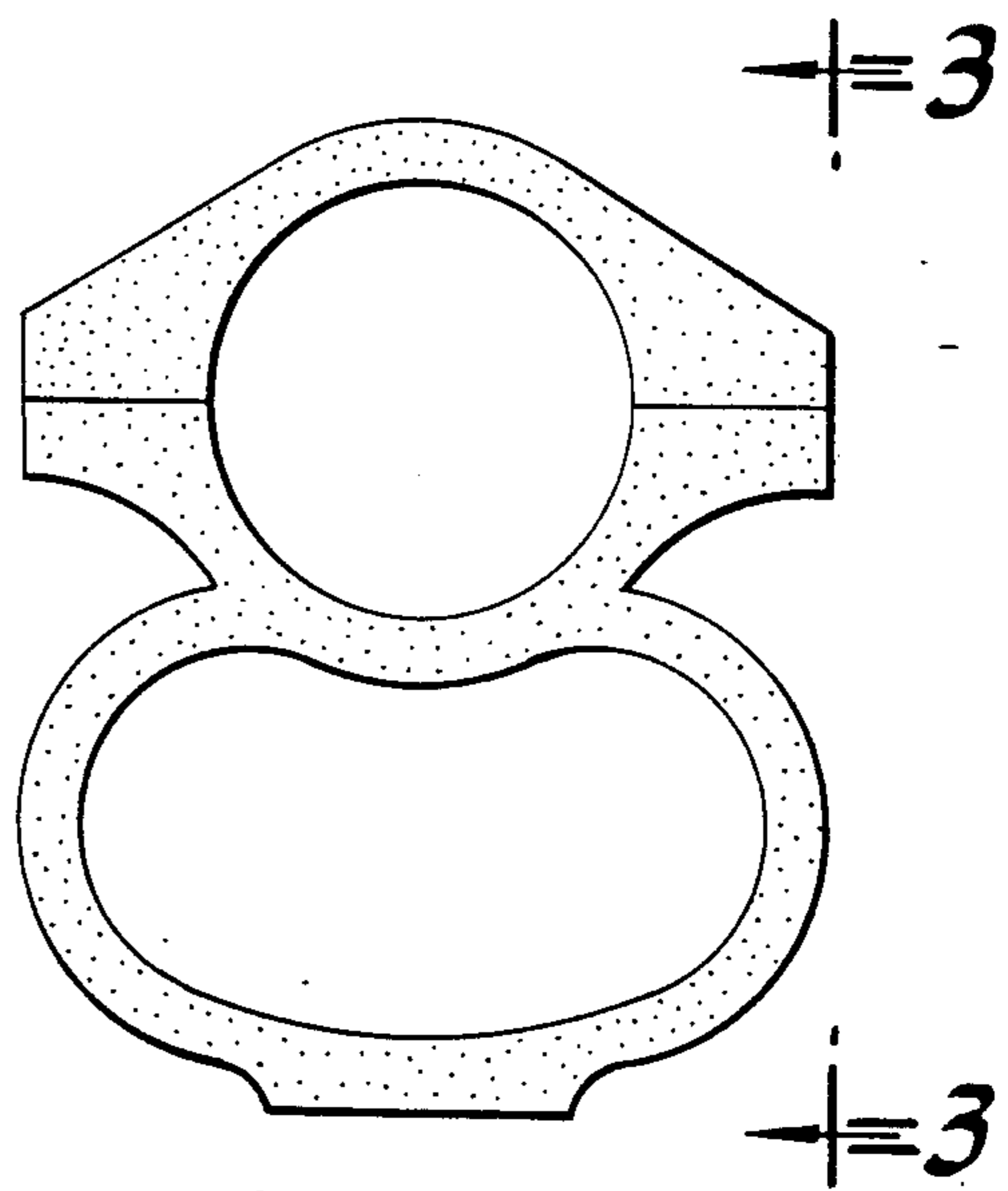


Fig. 2

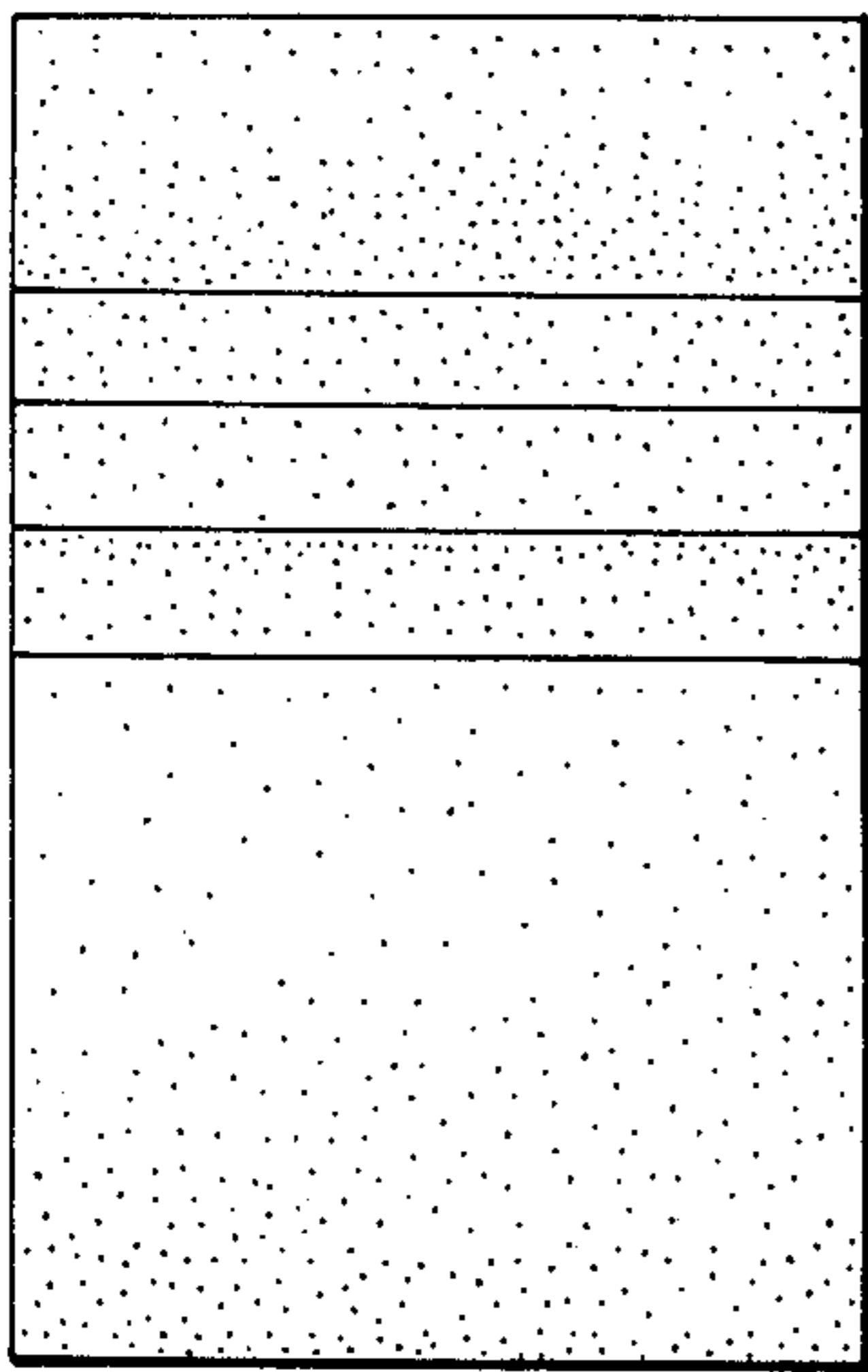


Fig. 3

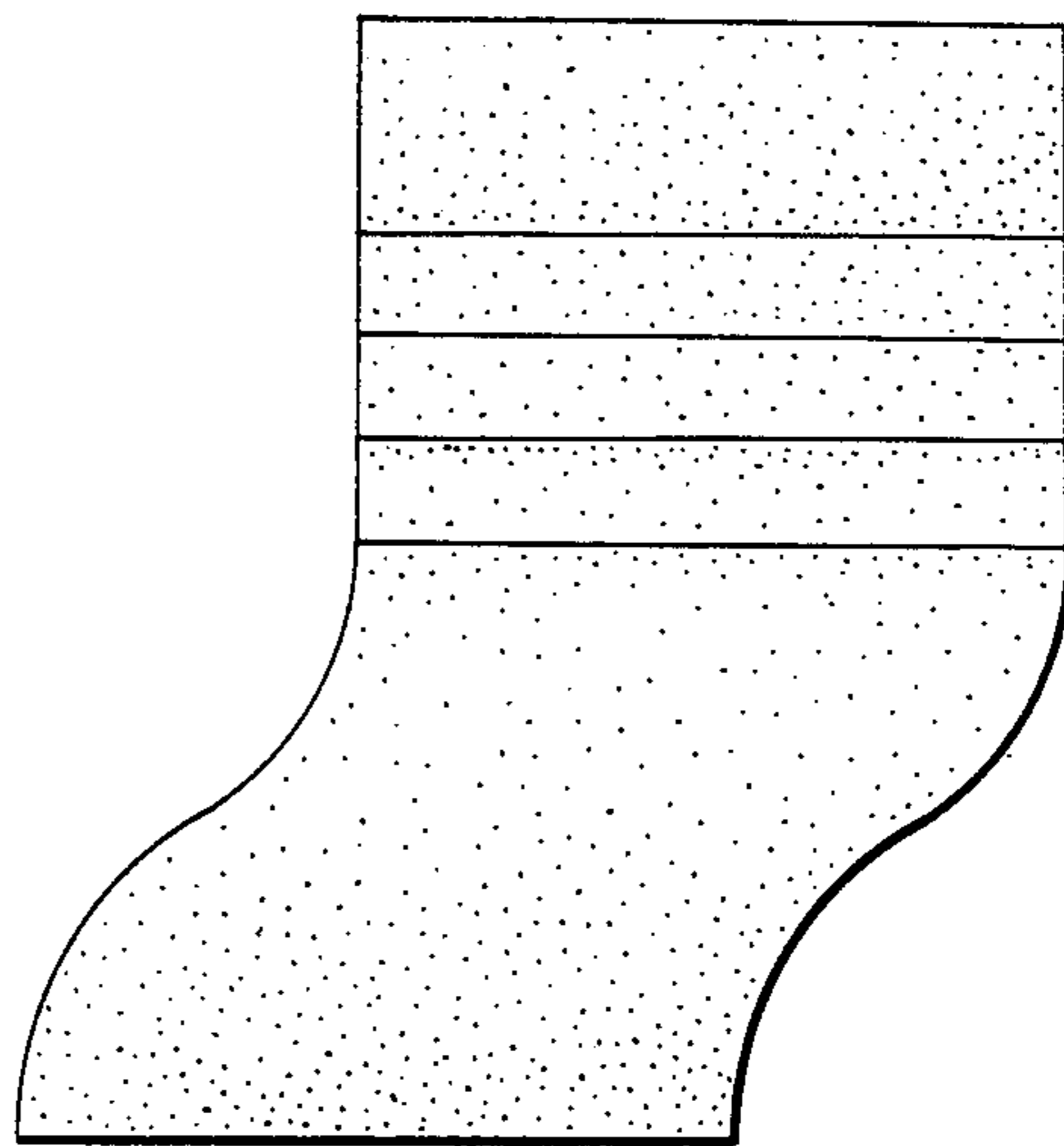


Fig. 4