

[54] HAIR MICROANALYZER

[75] Inventor: Colin Brett, West Paterson, N.J.

[73] Assignee: Hoffmann-La Roche Inc., Nutley, N.J.

[**] Term: 14 Years

[21] Appl. No.: 734,920

[22] Filed: Oct. 22, 1976

[51] Int. Cl. D16-06

[52] U.S. Cl. D16/48; D16/57

[58] Field of Search D16/48, 57; 350/9, 10; 353/39, 74, 79, 97, 119

[56]

References Cited

U.S. PATENT DOCUMENTS

3,205,770 9/1965 Koch et al. D16/57
3,900,252 8/1975 DiSalvo et al. 350/9

Primary Examiner—Wallace R. Burke
Assistant Examiner—James M. Gandy
Attorney, Agent, or Firm—Samuel L. Welt

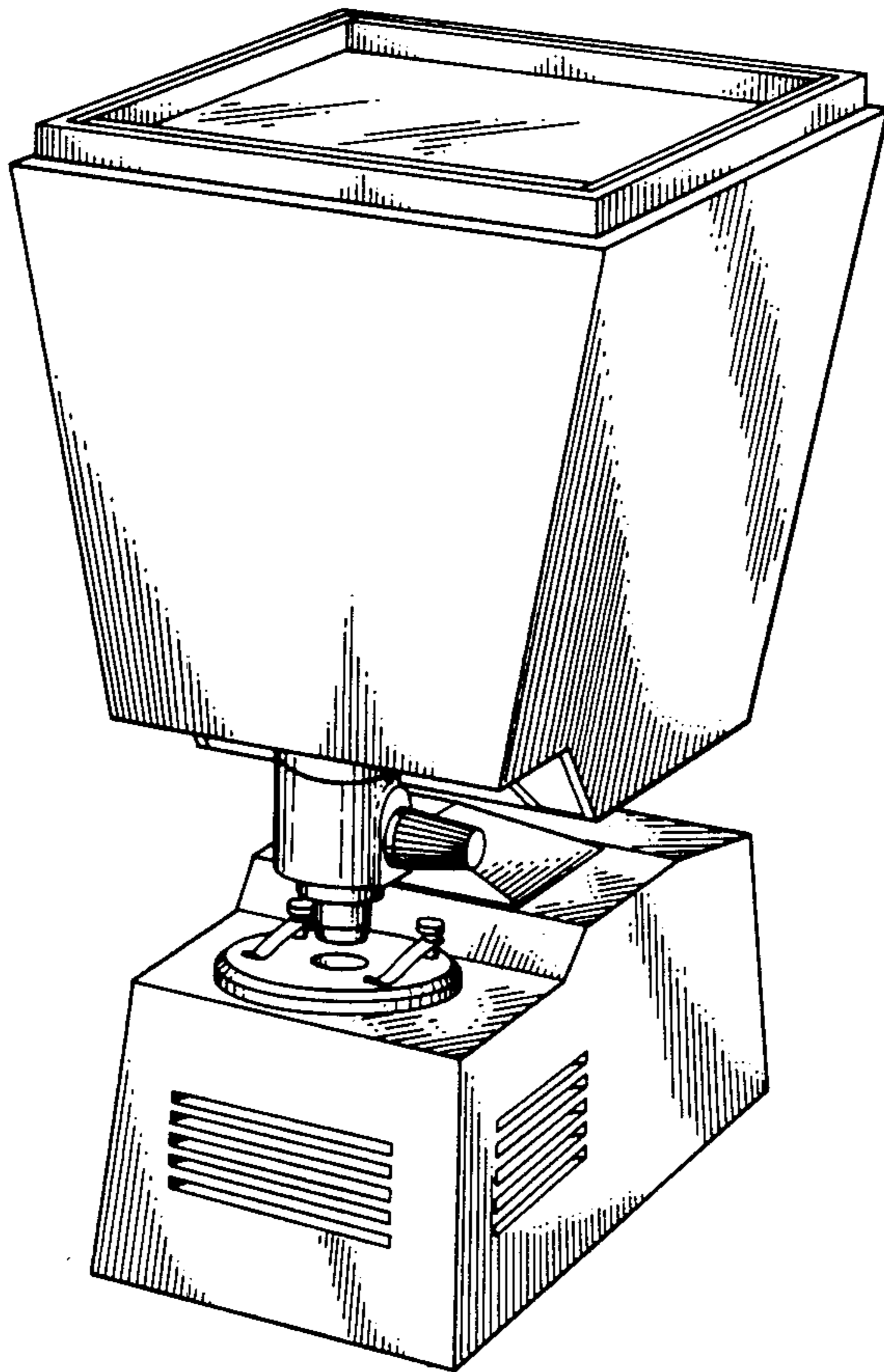
[57]

CLAIM

The ornamental design for a hair microanalyzer, as shown and described.

DESCRIPTION

FIG. 1 is a perspective view of the front, side and top of the hair microanalyzer showing my new design; FIG. 2 is a front elevational view thereof; and FIG. 3 is a right side elevational view thereof, the left side being substantially a mirror image of the right side shown herein except for the omission of the knob. The rear of the microanalyzer is substantially flat and unornamented.



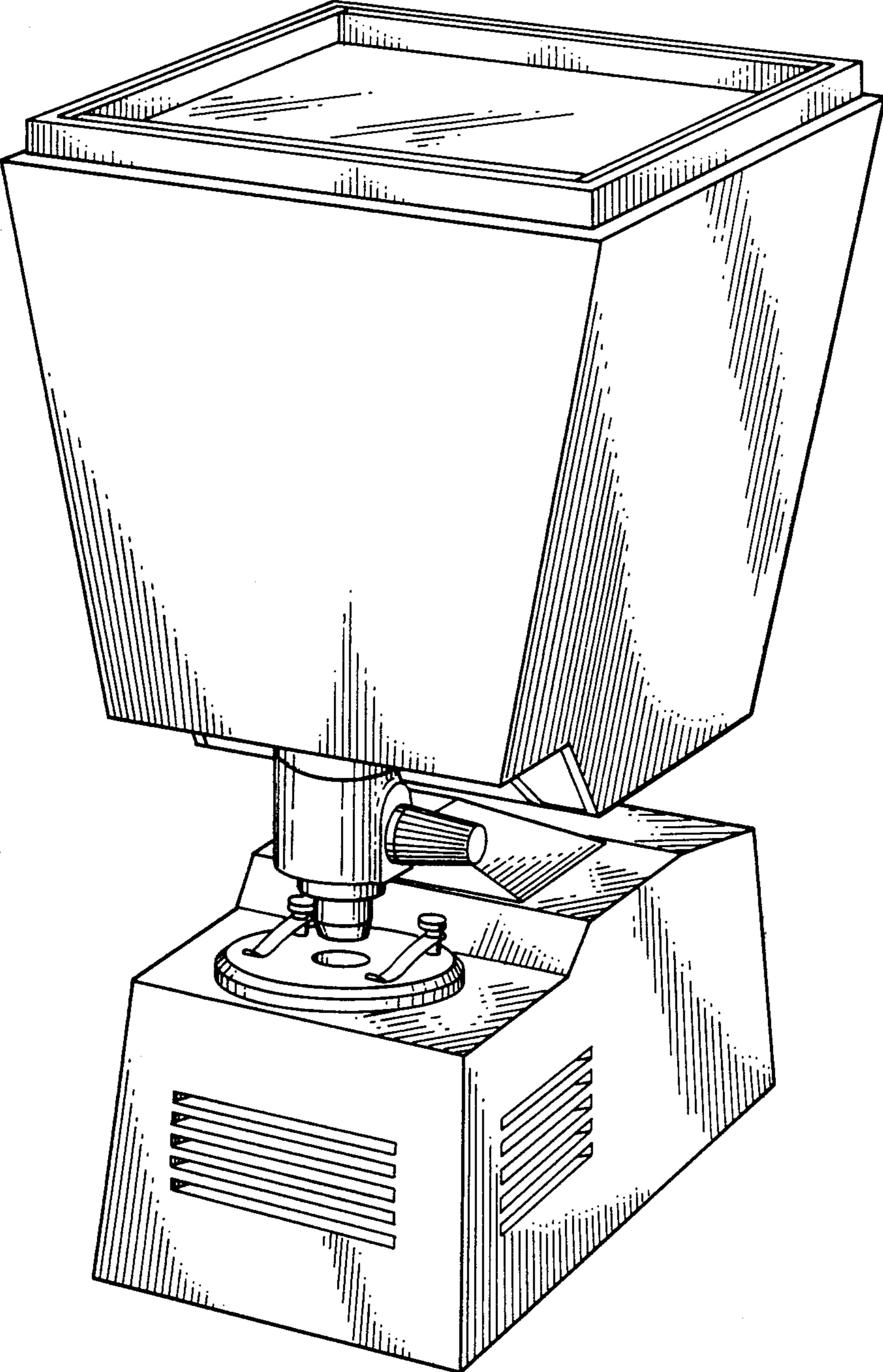


FIG. 1

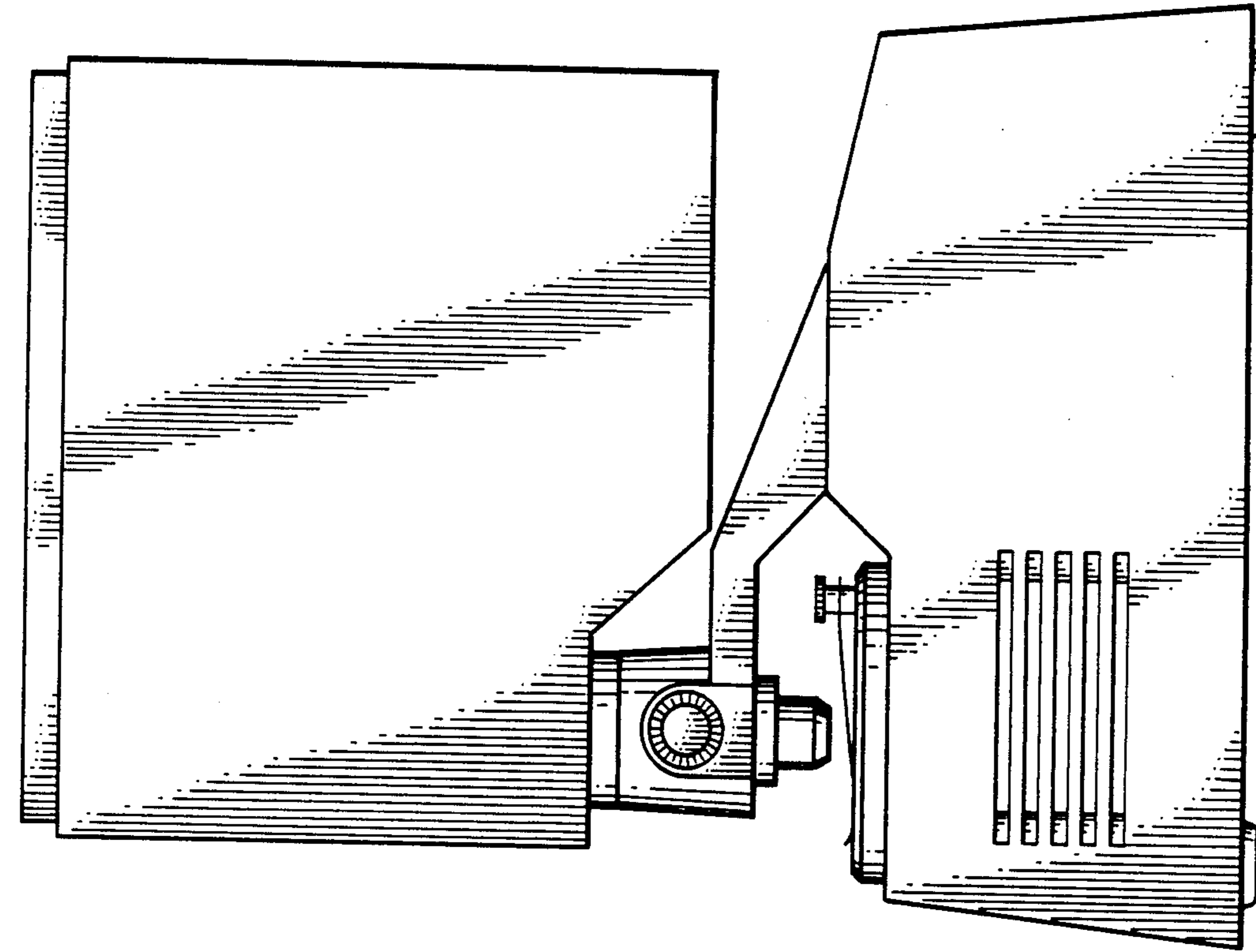


FIG. 3

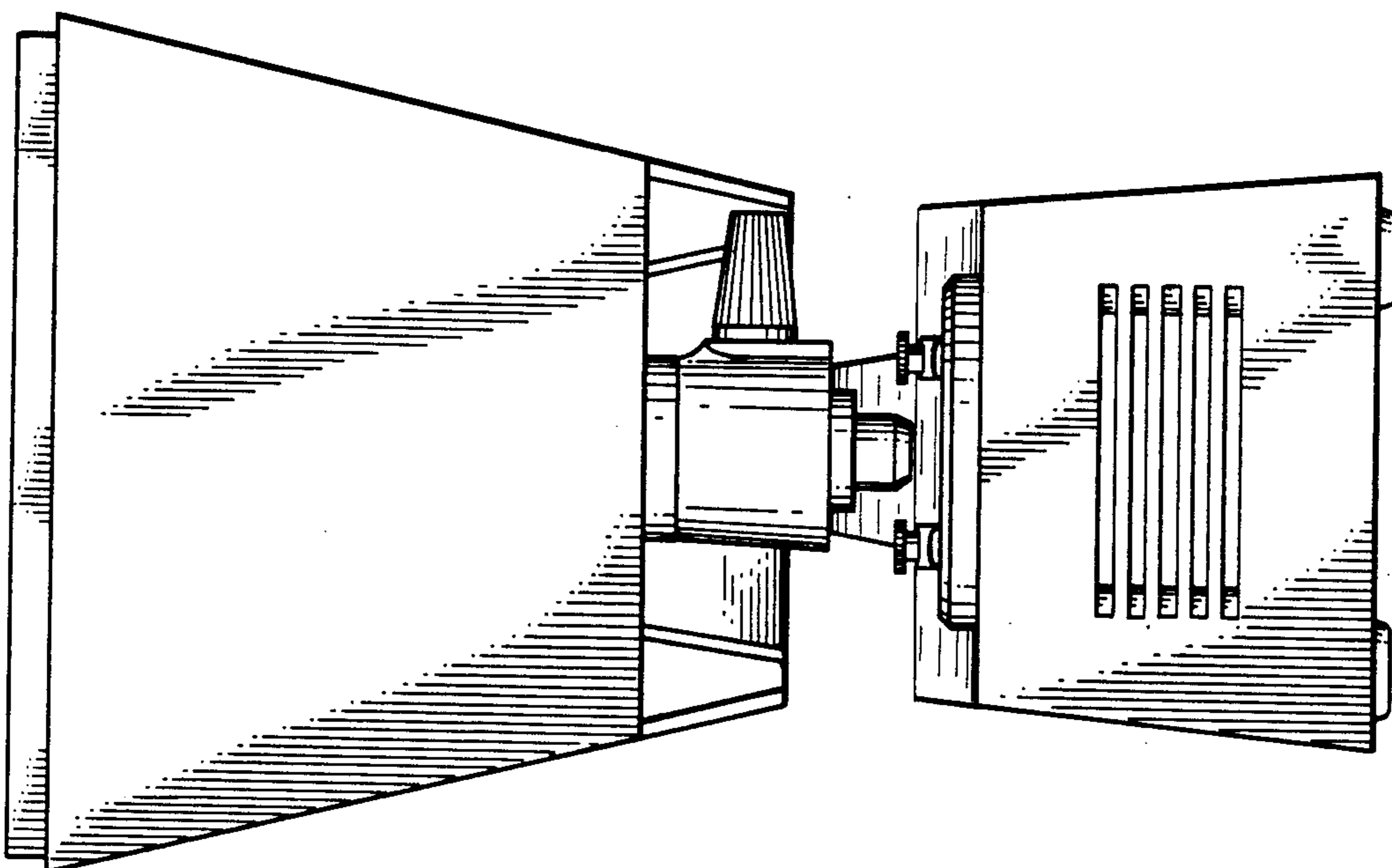


FIG. 2