

[54] PHOTOGRAPHIC PRINTER

[75] Inventor: Patrick J. Gilligan, Minneapolis, Minn.

[73] Assignee: Pako Corporation, Minneapolis, Minn.

[**] Term: 14 Years

[21] Appl. No.: 776,877

[22] Filed: Mar. 11, 1977

[51] Int. Cl. D16-03

[52] U.S. Cl. D16/34

[58] Field of Search D16/27-32,
D16/33, 34, 25; 355/18, 19, 45, 78

[56]

References Cited

U.S. PATENT DOCUMENTS

D. 233,700	11/1974	McClare	D16/34
3,369,450	2/1968	Peters	D16/14 X
3,547,531	12/1970	Wells	D16/14 X
3,547,534	12/1970	Akiyama et al.	355/45 X
3,759,611	9/1973	O'Connell et al.	355/45 X

Primary Examiner—Wallace R. Burke
Assistant Examiner—Catherine Kemper
Attorney, Agent, or Firm—John W. Adams

[57]

CLAIM

The ornamental design for a photographic printer, as shown.

DESCRIPTION

FIG. 1 is a front elevational view of a photographic printer, showing my new design;
FIG. 2 is a right side elevational view thereof;
FIG. 3 is a perspective view thereof;
FIG. 4 is a rear elevational view thereof;
FIG. 5 is a bottom view thereof.

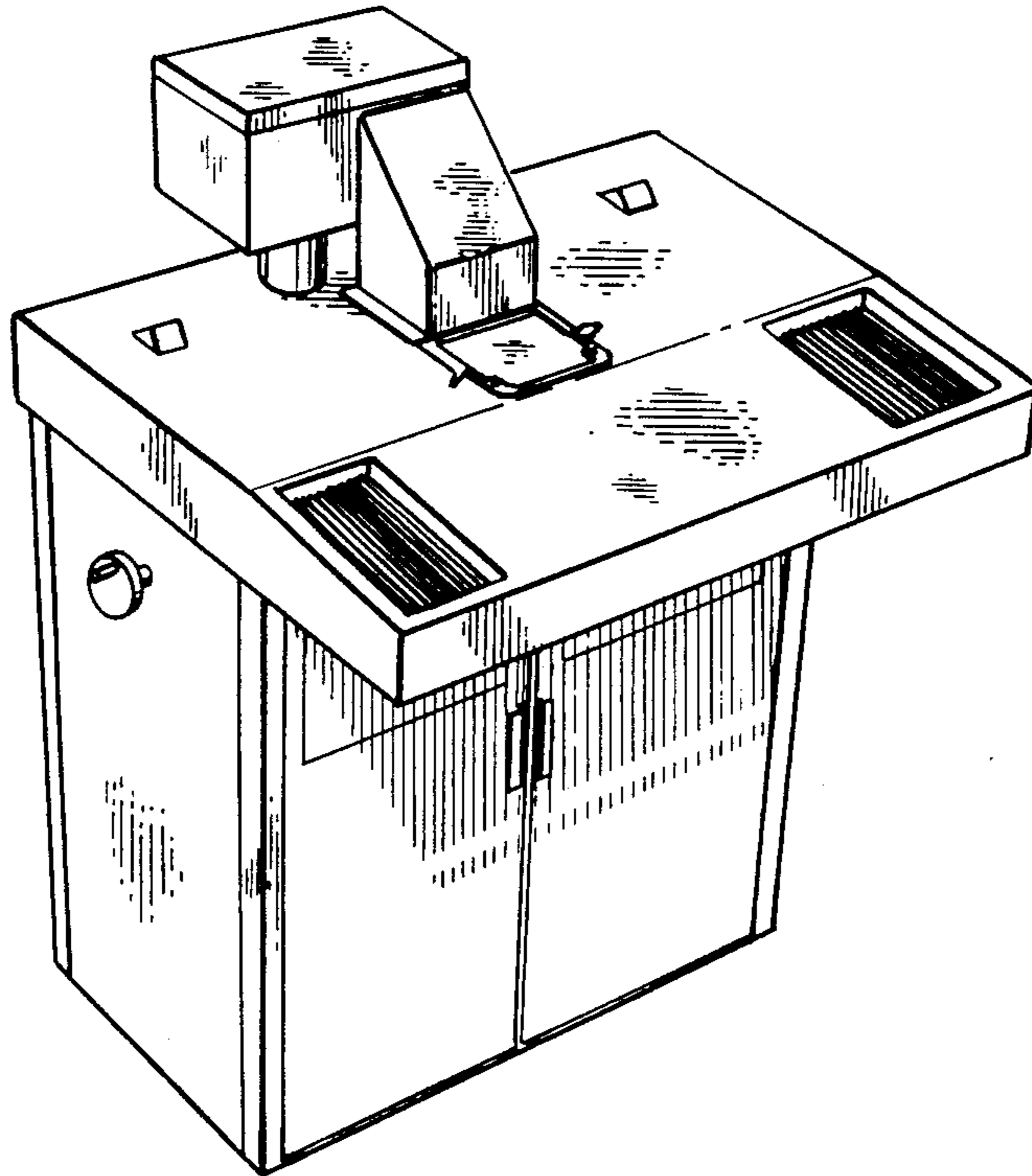


FIG. 1

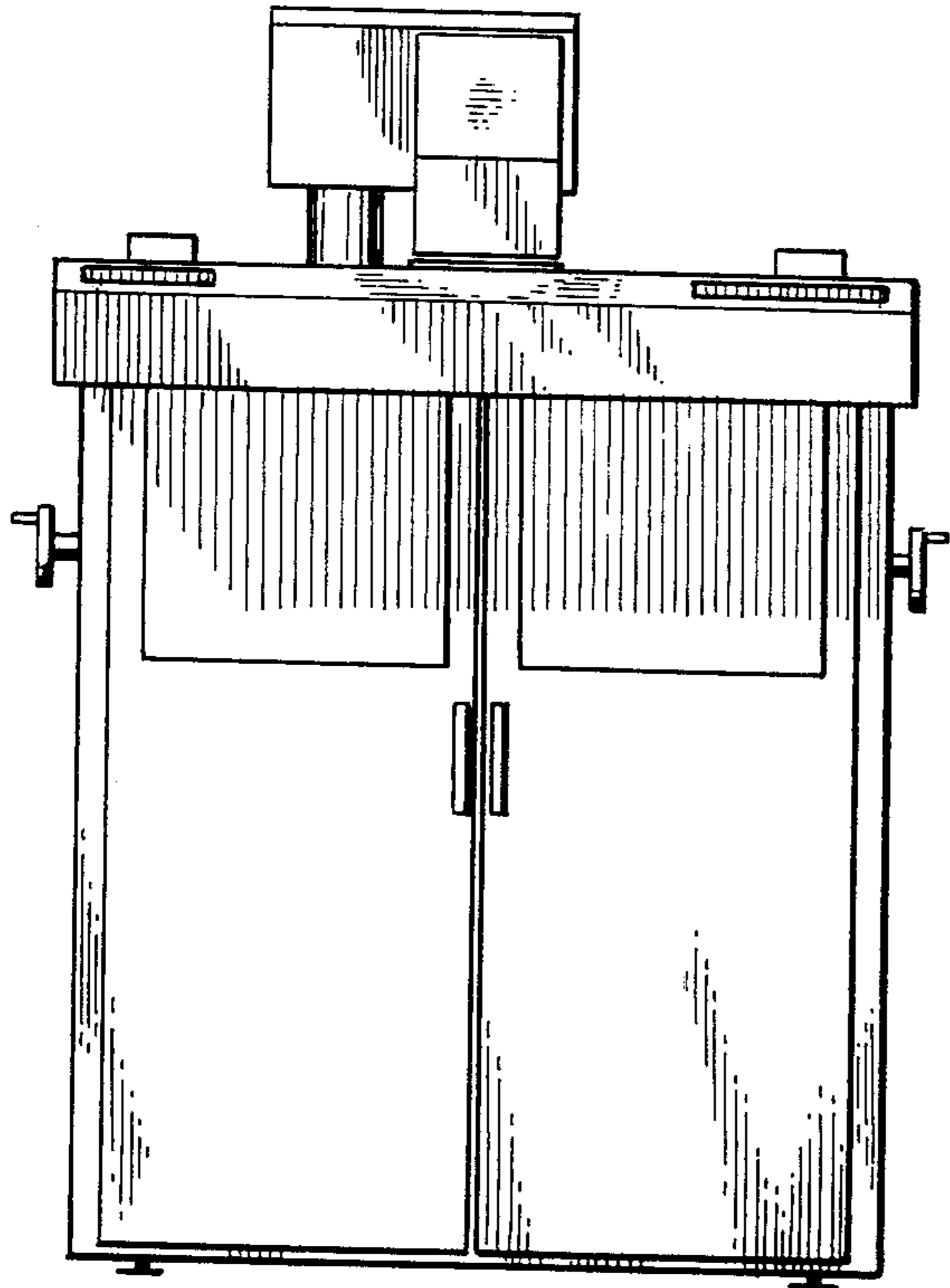


FIG. 2

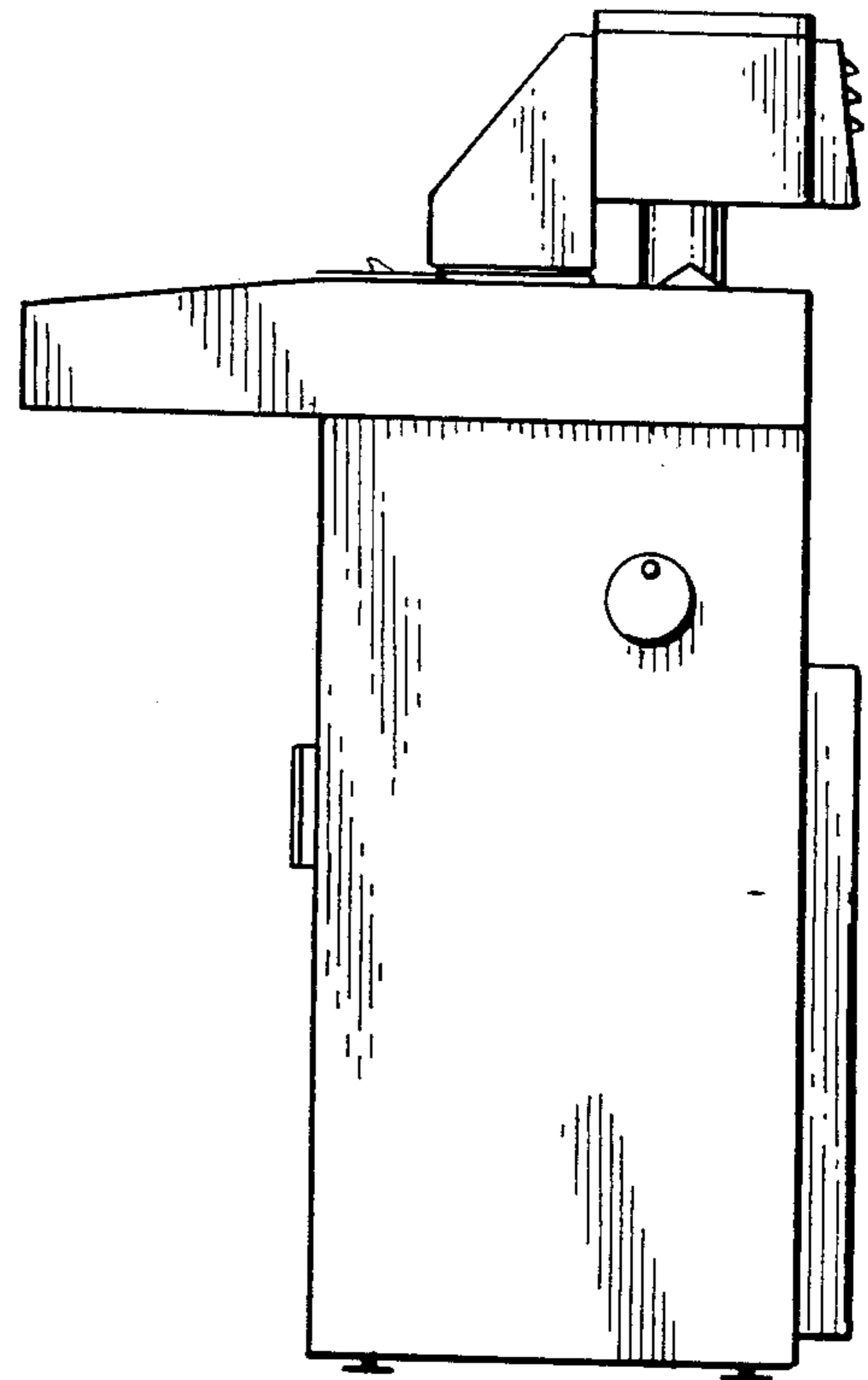


FIG. 3

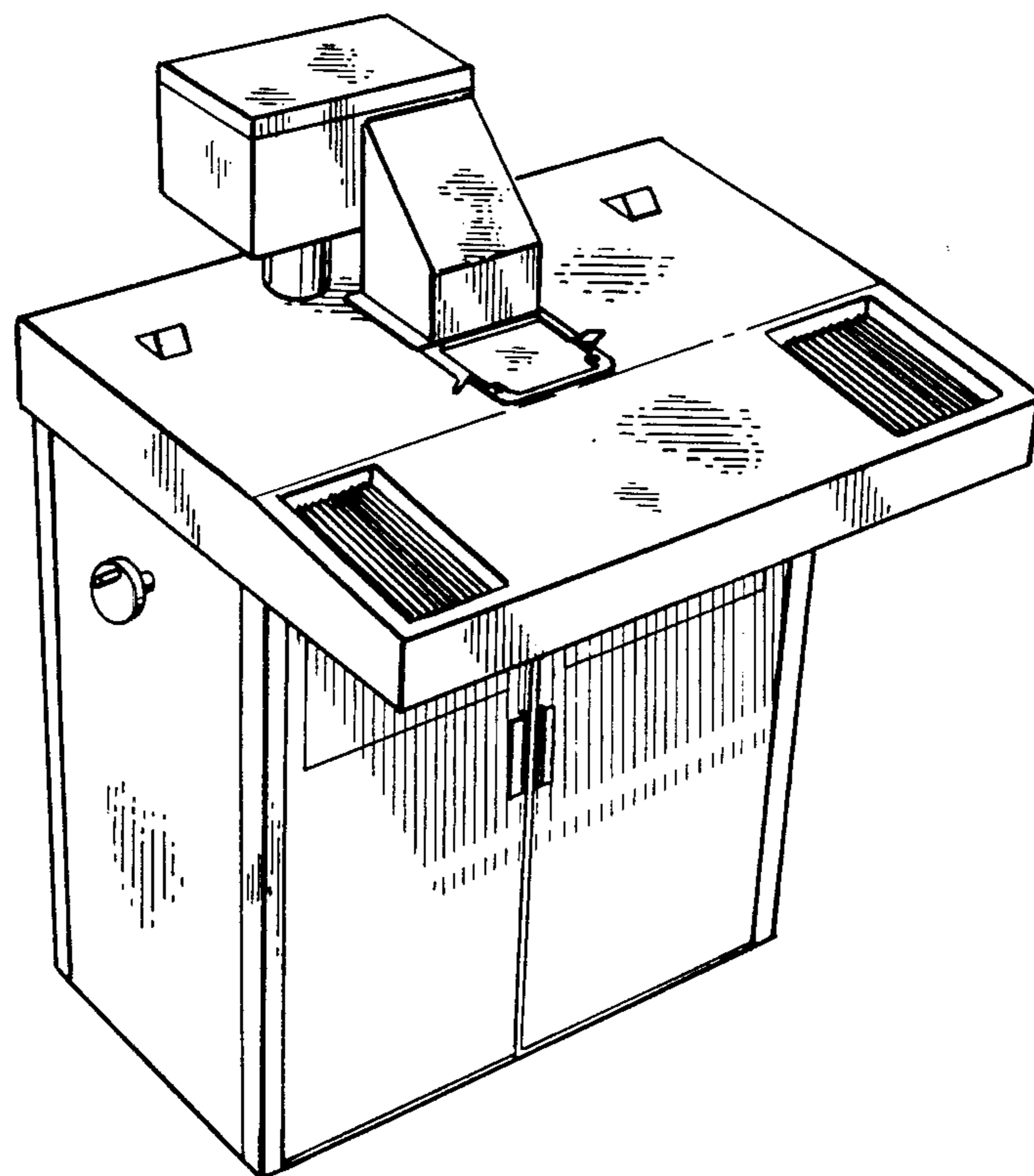


FIG. 4

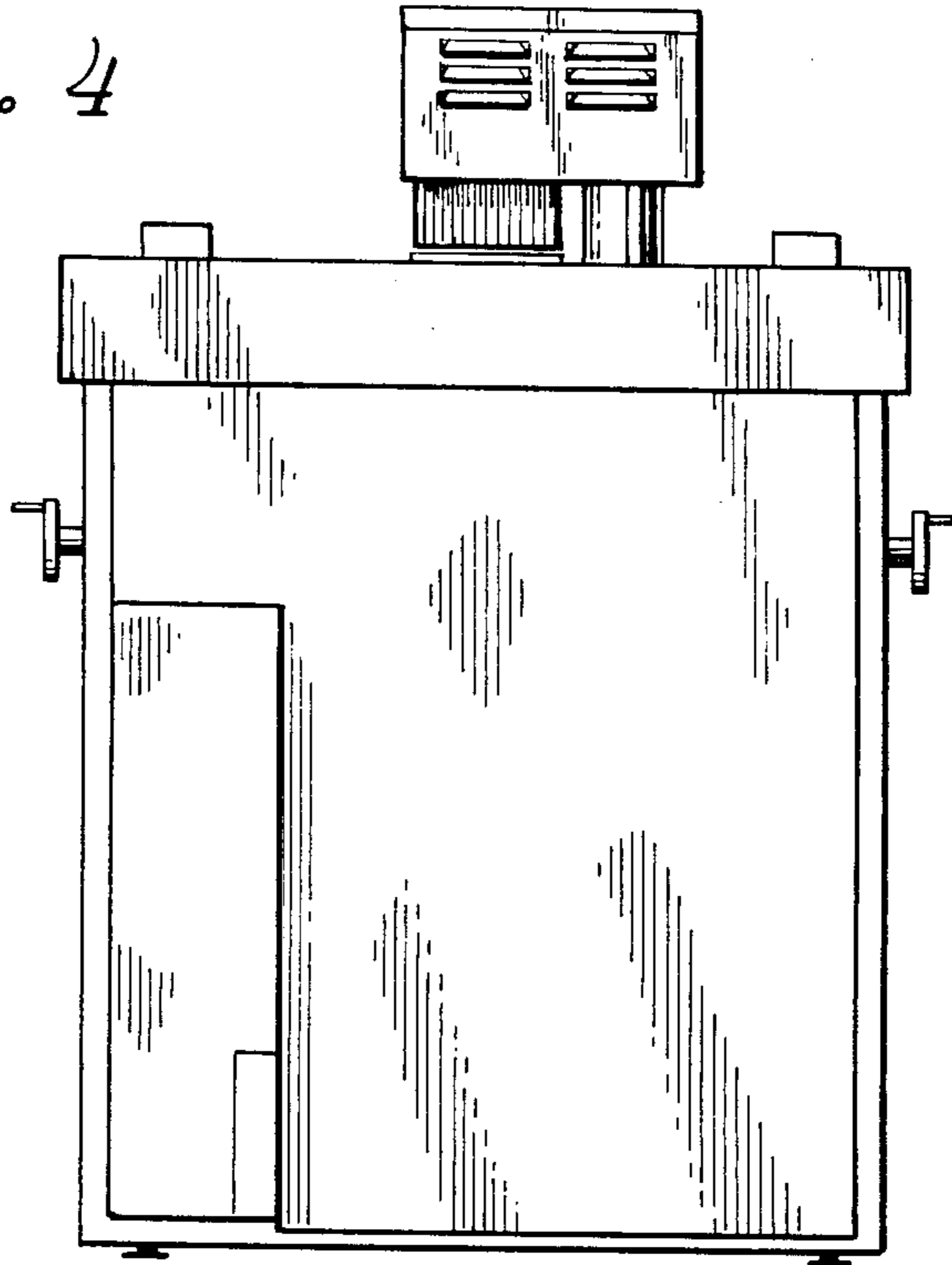


FIG. 5

