

[54] MOTION PICTURE PROJECTOR

[75] Inventors: Paul D. Miller, New York, N.Y.;
John Svezia, Milburn, N.J.

[73] Assignee: GAF Corporation, New York, N.Y.

[**] Term: 14 Years

[21] Appl. No.: 761,387

[22] Filed: Jan. 21, 1977

[51] Int. Cl. D16-02

[52] U.S. Cl. D16/23

[58] Field of Search D16/20, 22, 23, 26;
353/46, 71, 119; 352/104, 166, 197, 242, 243

[56] References Cited

U.S. PATENT DOCUMENTS

D. 193,592	9/1962	Bonisch	D16/23
D. 201,930	8/1965	Collister	D16/23
D. 210,051	1/1968	Canelli	D16/23
D. 212,916	12/1968	Ainslie et al.	D16/23
D. 236,231	8/1975	Bourke	D16/23

Primary Examiner—Wallace R. Burke
Assistant Examiner—Catherine Kemper
Attorney, Agent, or Firm—Walter C. Kehm

[57] CLAIM

The ornamental design for a motion picture projector, substantially as shown and described.

DESCRIPTION

FIG. 1 is a front end view of a motion picture projector showing our new design with the cover in place;
FIG. 2 is a rear end view thereof with the cover in place;
FIG. 3 is a right side elevational view thereof;
FIG. 4 is a left side elevational view thereof showing the cover;
FIG. 5 is a top plan view thereof with the cover in place;
FIG. 6 is a bottom plan view thereof with the cover in place;
FIG. 7 is an exploded perspective view thereof showing the cover removed therefrom;
FIG. 8 is a front end view thereof without the cover;
FIG. 9 is a rear end view thereof without the cover;
FIG. 10 is a left side elevational view thereof without the cover;
FIG. 11 is a top plan view thereof without the cover; and
FIG. 12 is a bottom plan view thereof without the cover.
The conventional electrical cord has been shown fragmentarily in FIGS. 7-12 for convenience of illustration.

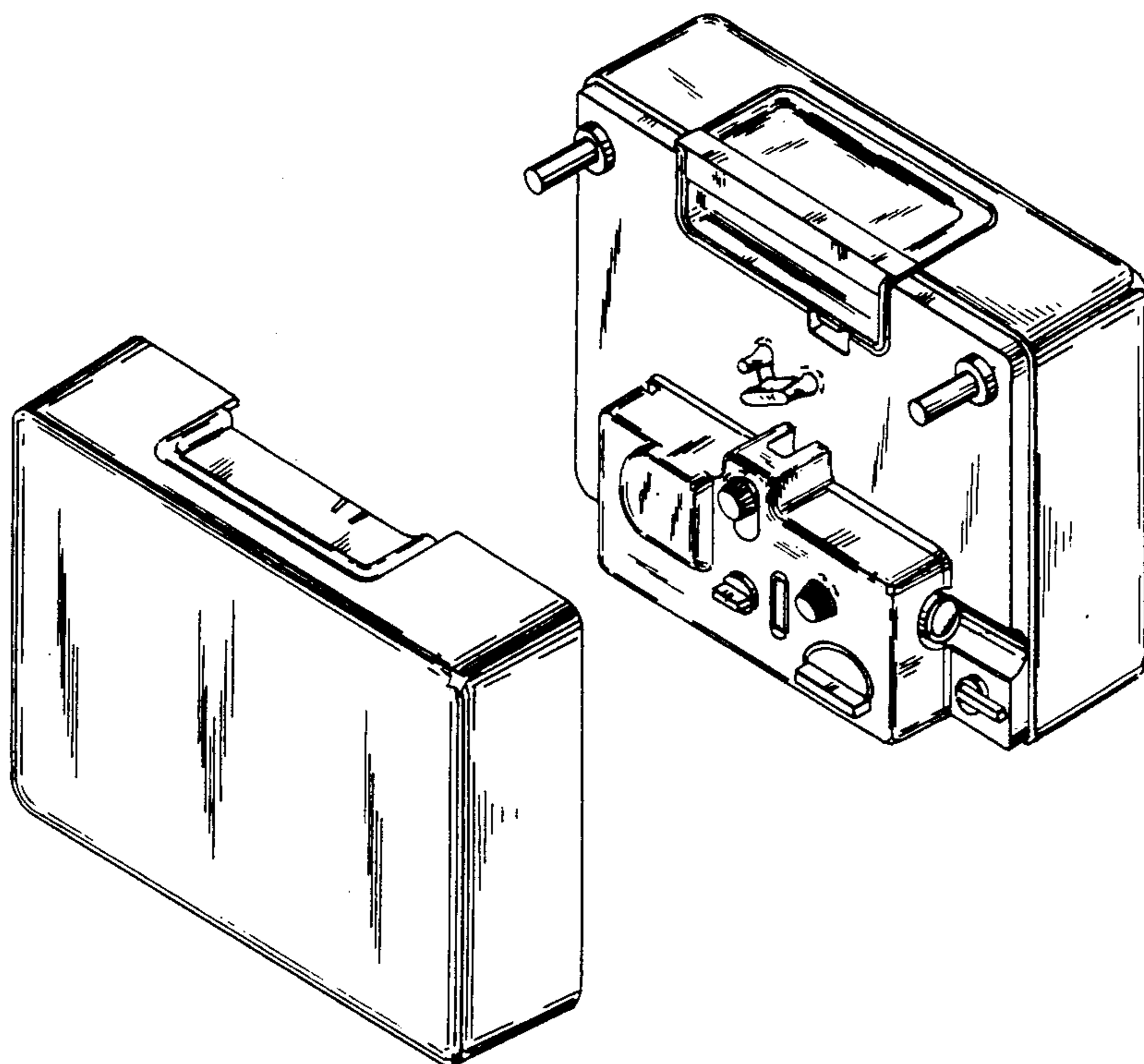


FIG. 2

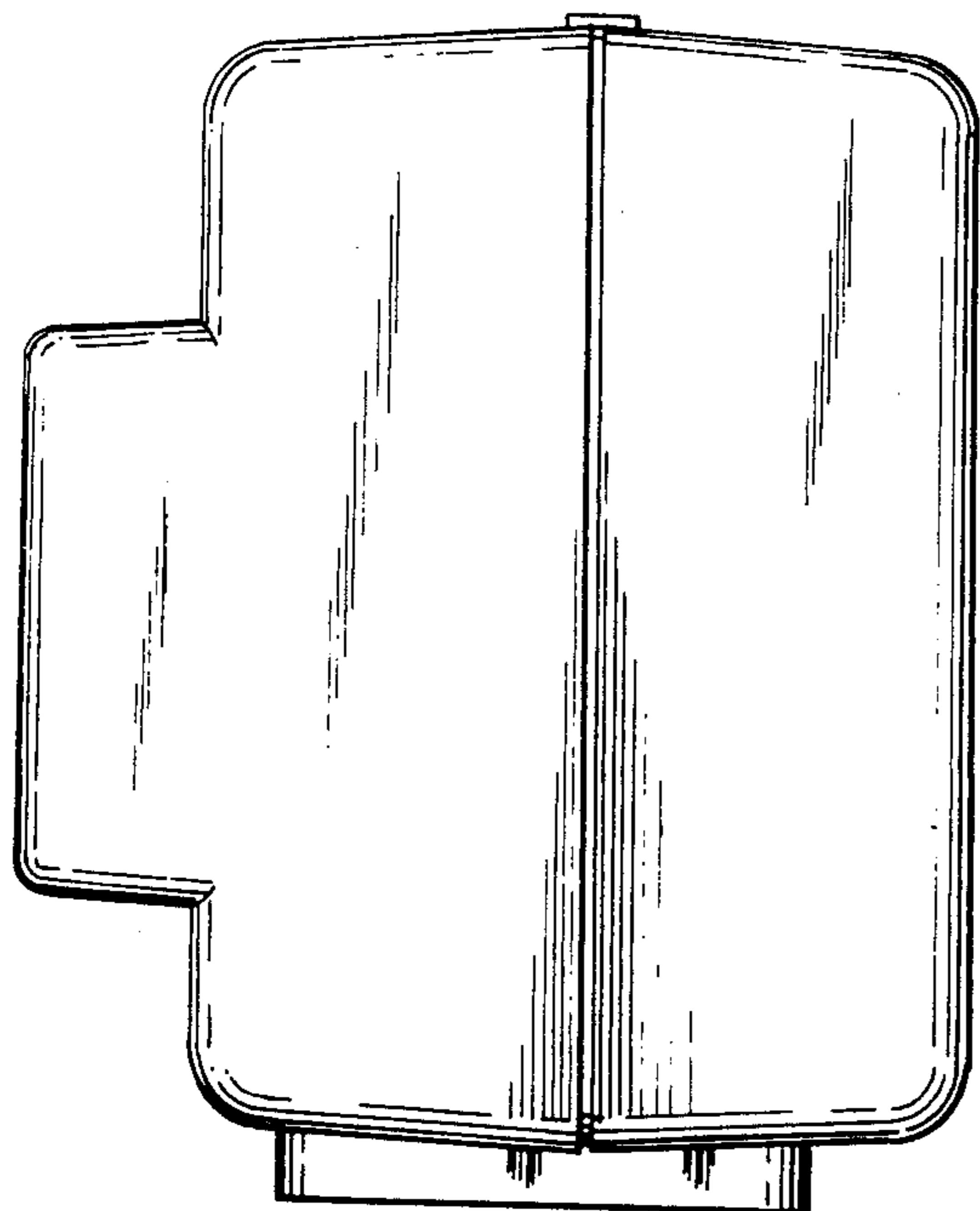


FIG. 1

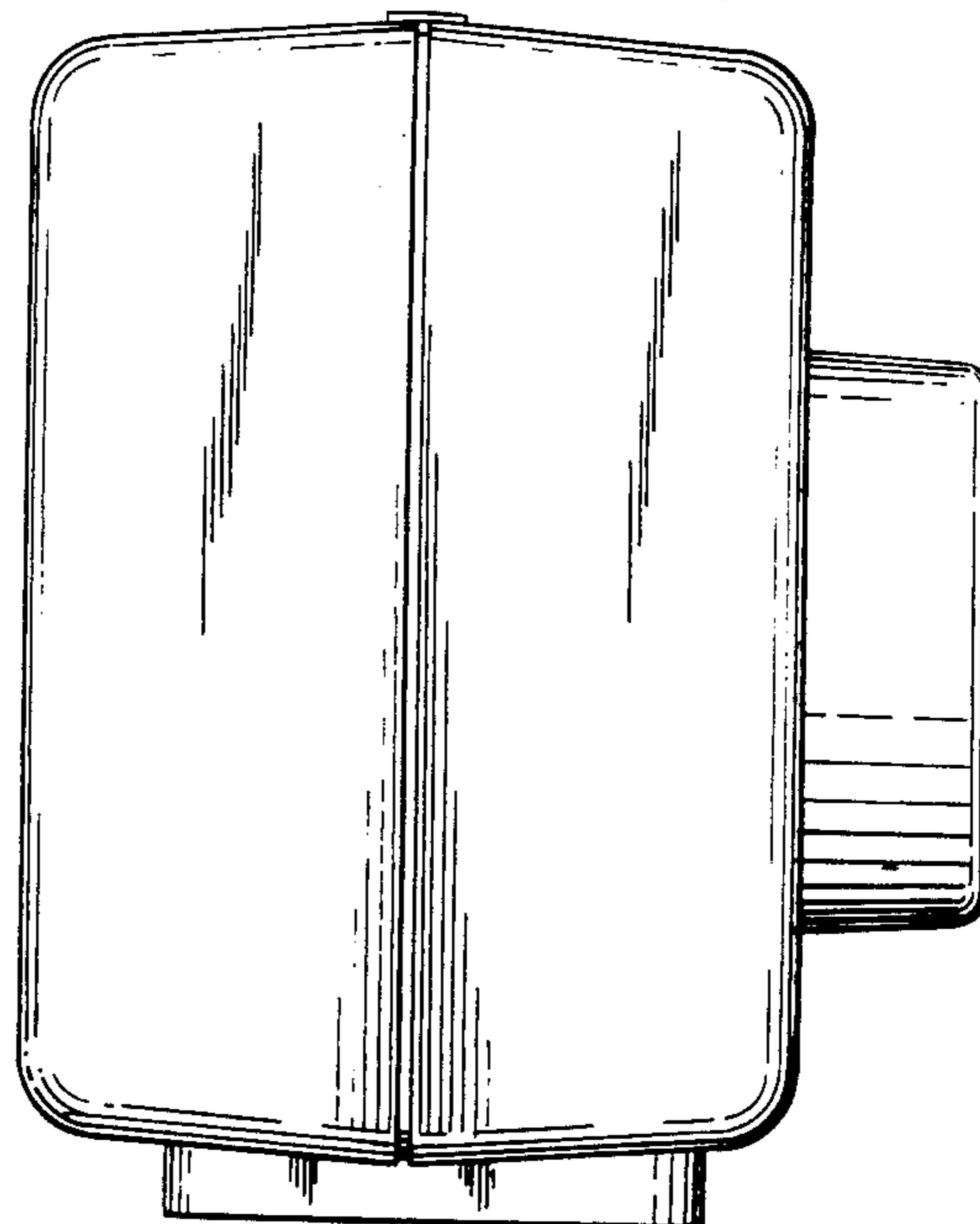


FIG. 5

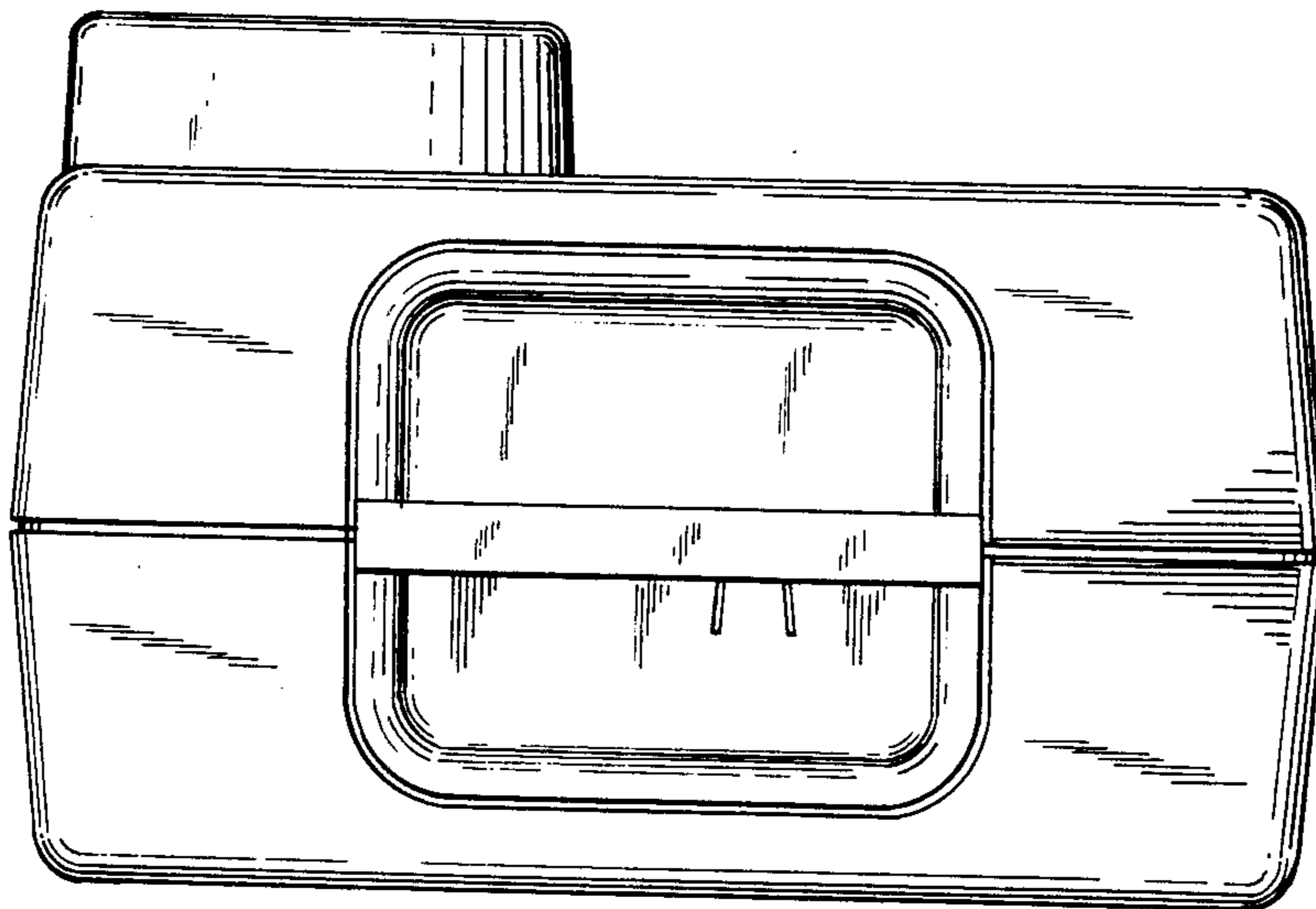


FIG. 3

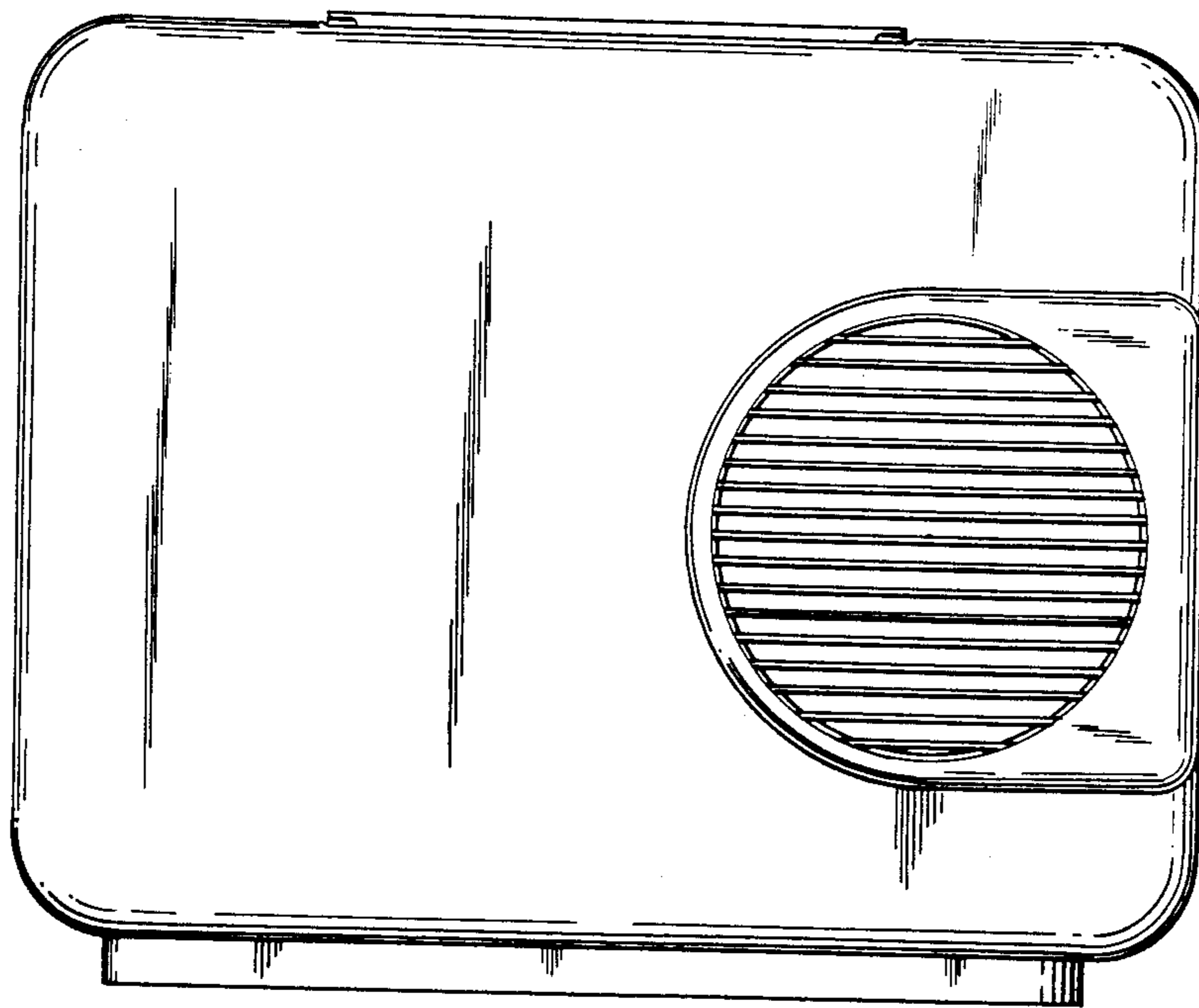


FIG. 4

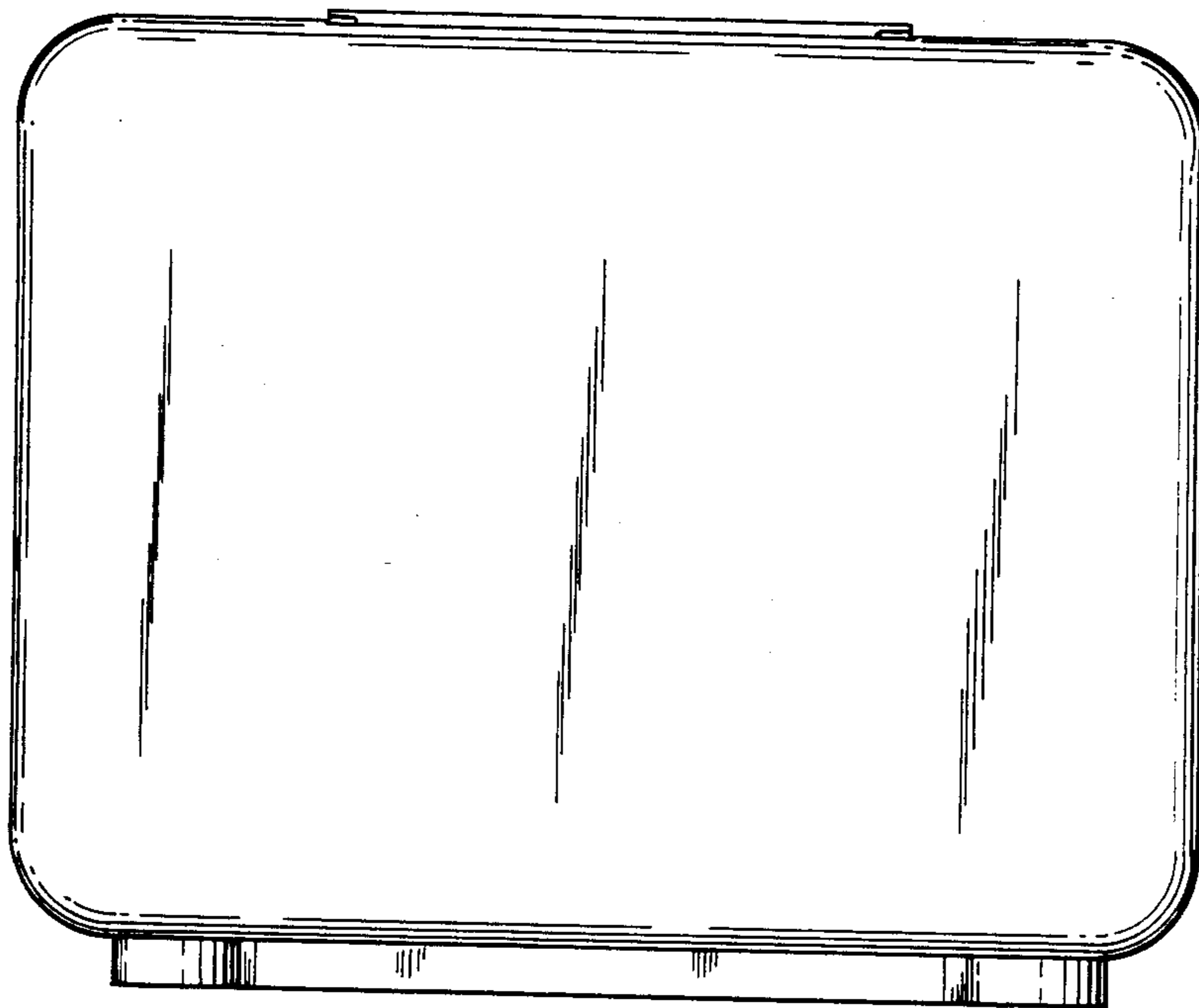


FIG. 6

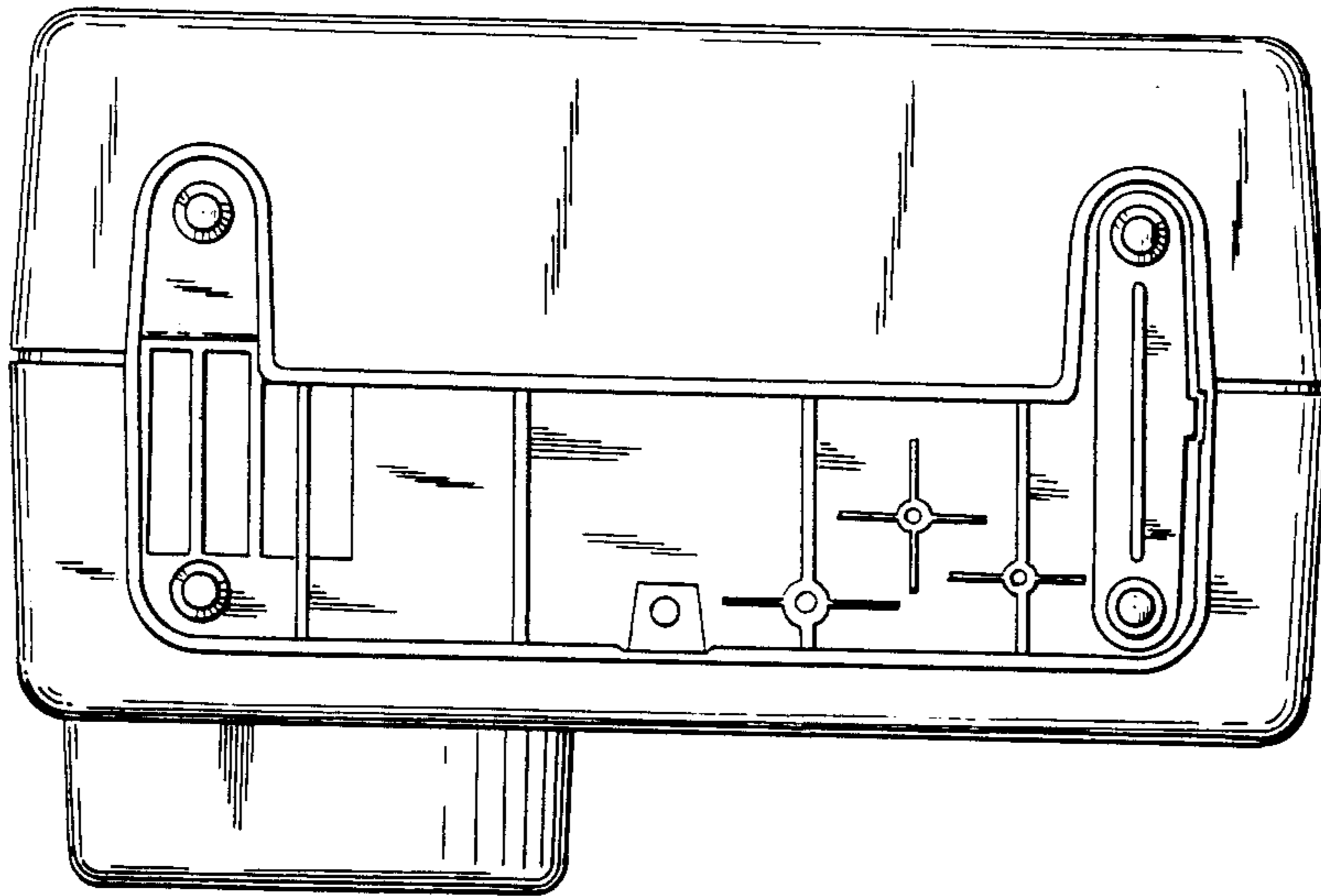


FIG. 10

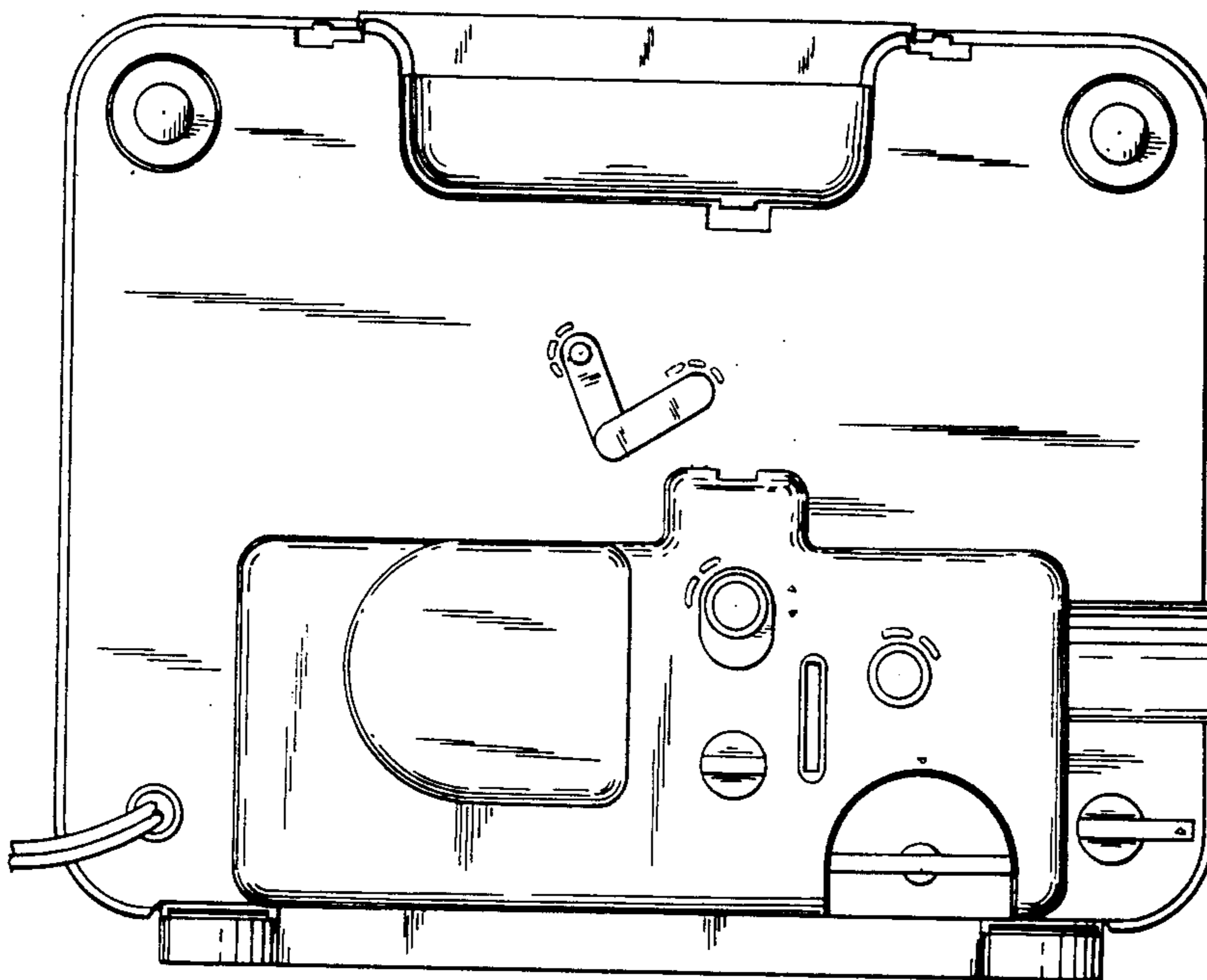


FIG. 9

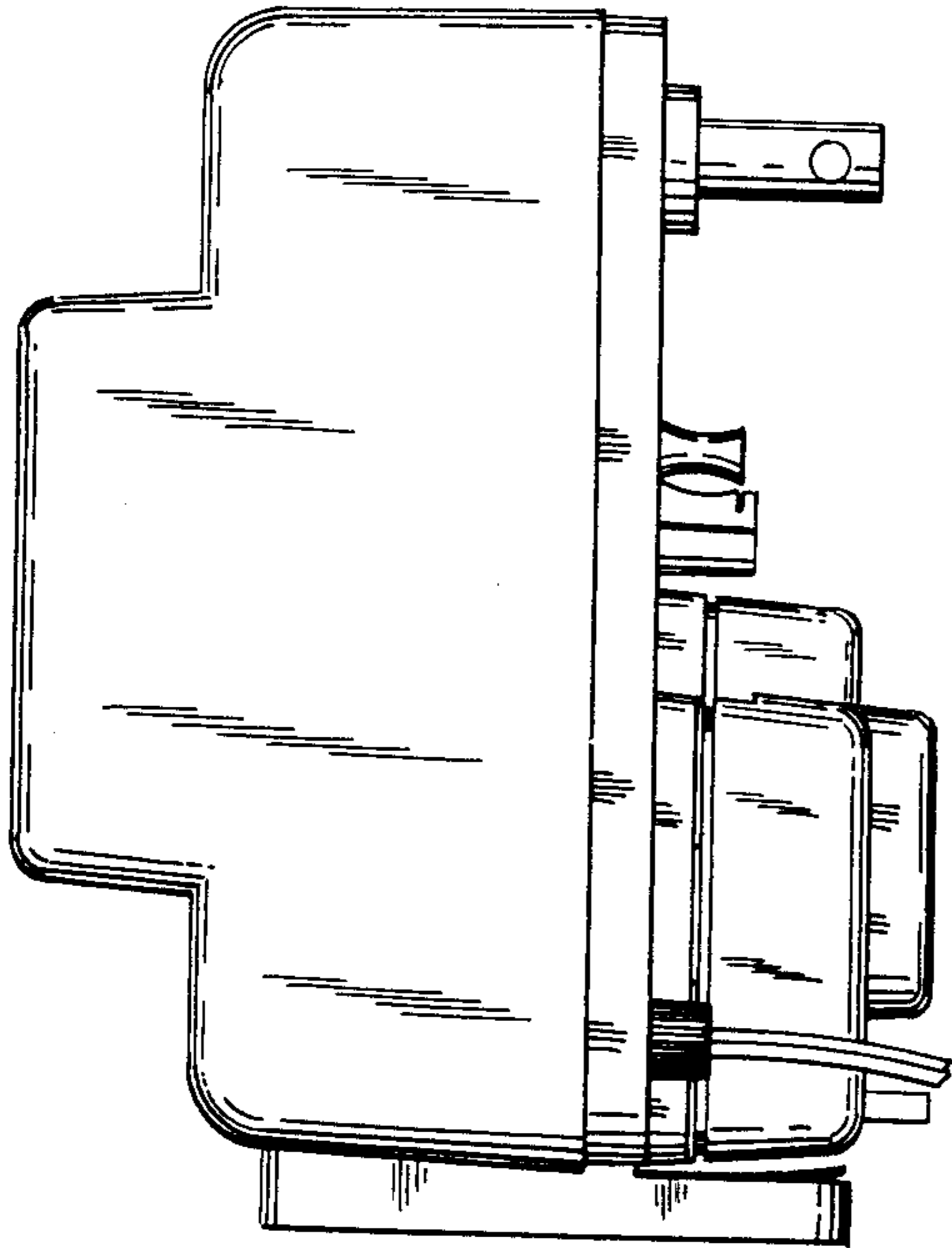


FIG. 8

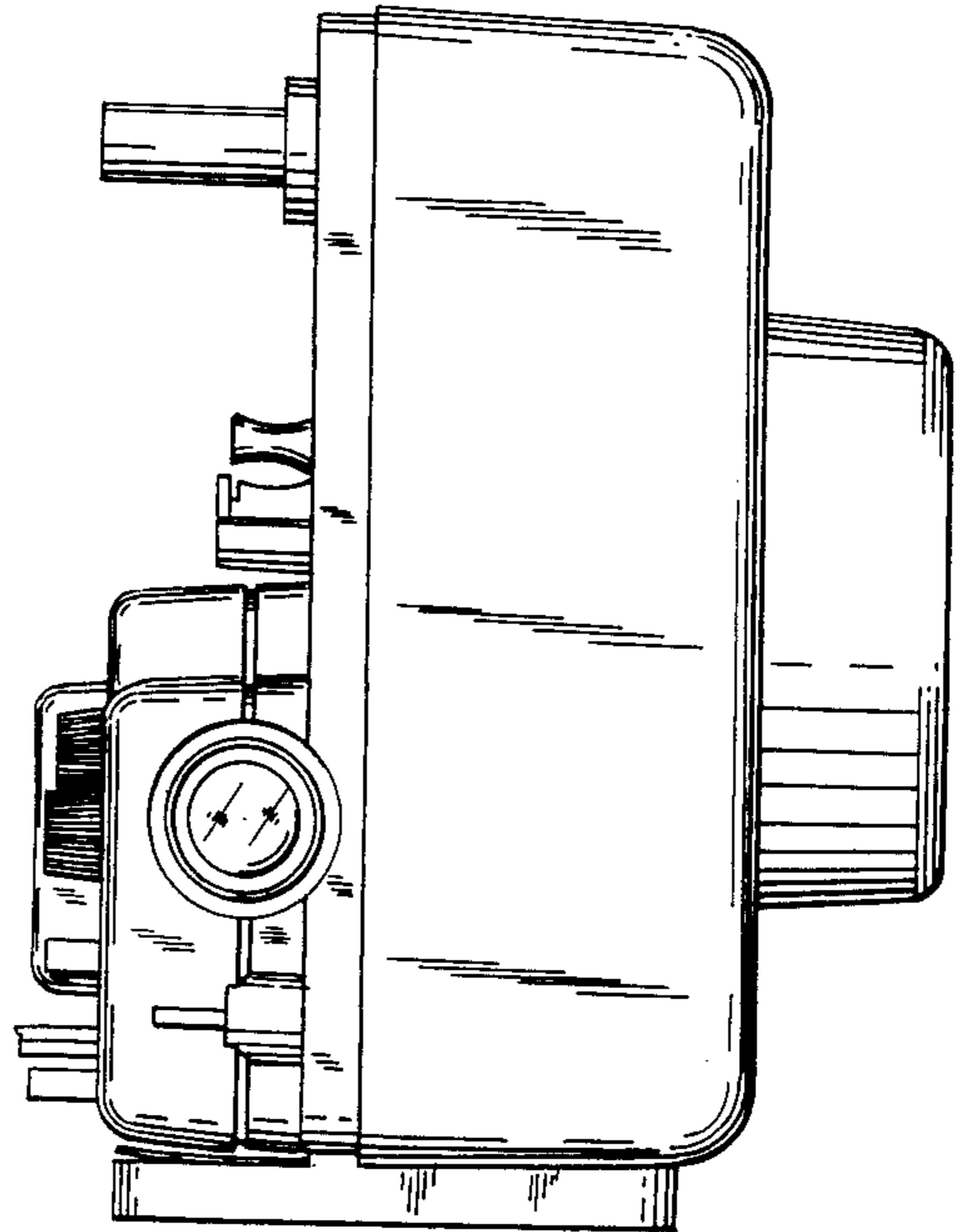


FIG. 7

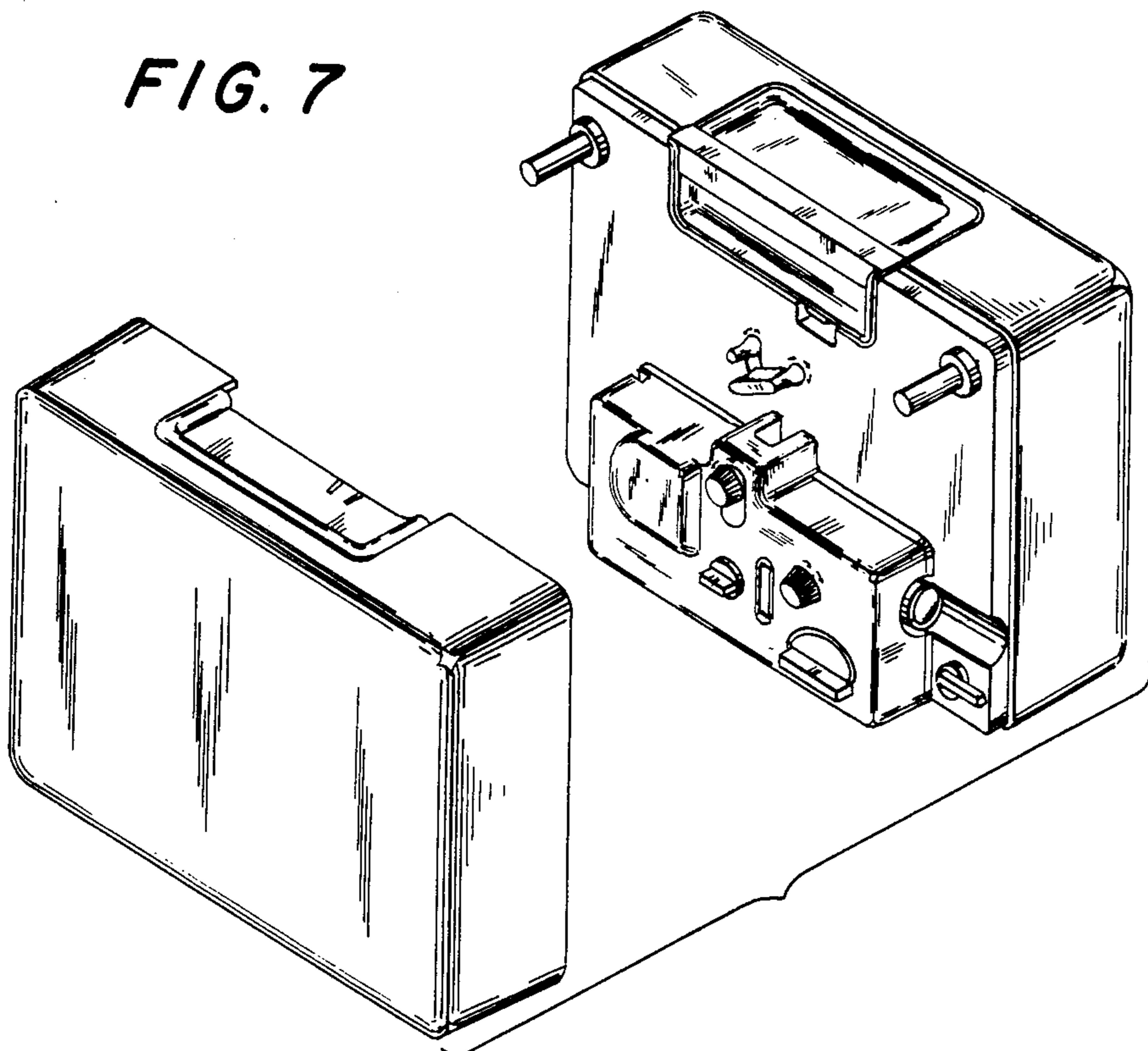


FIG. 11

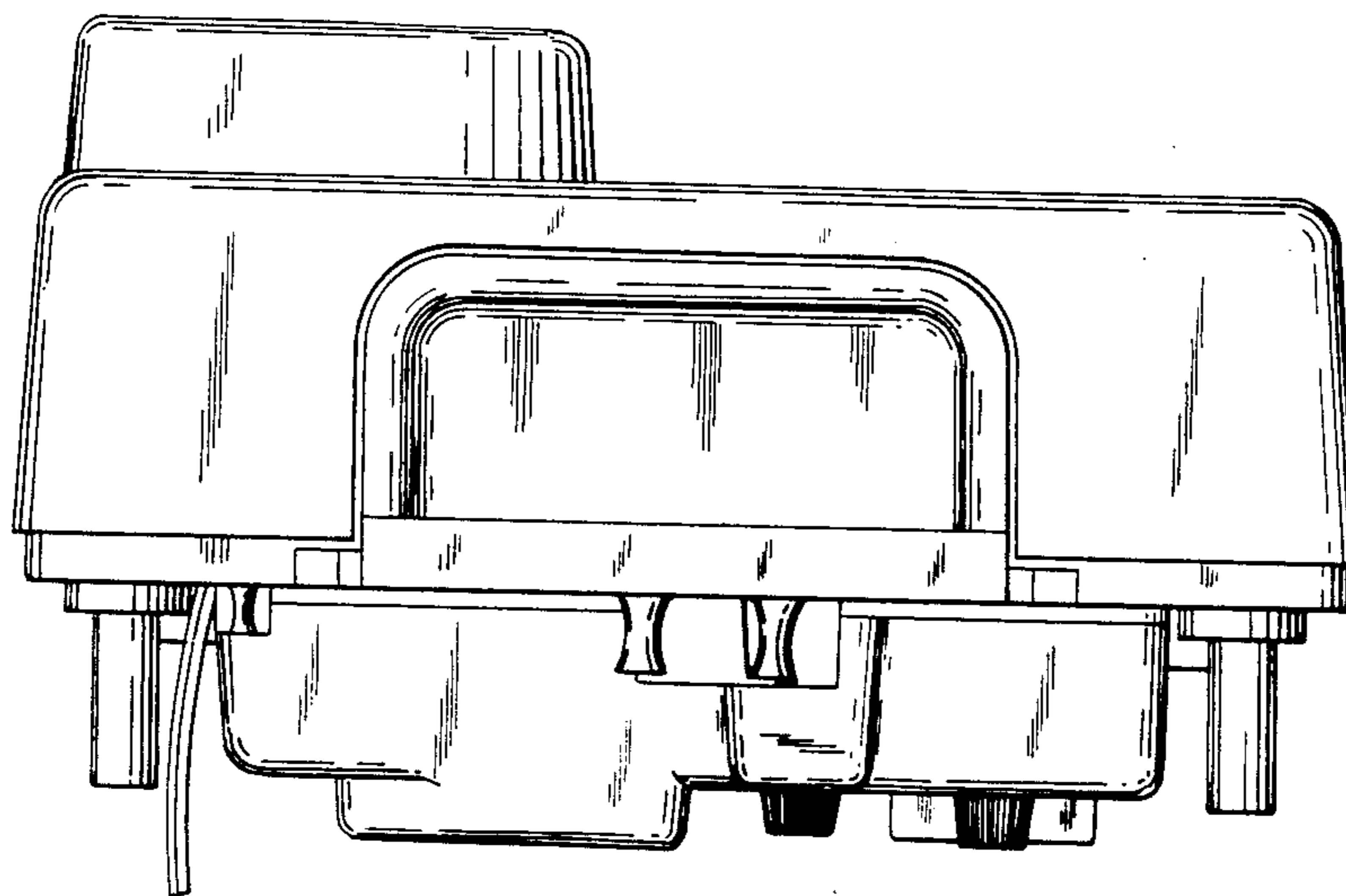


FIG. 12

