

- [54] **COMBINED LAWN MOWER AND GRASS CATCHER**
- [75] Inventors: **Donald Gene Haffner**, Glendale;
Neill Carl Woelffer, Racine, both of Wis.
- [73] Assignee: **Jacobsen Manufacturing Company**, Racine, Wis.
- [**] Term: **14 Years**
- [21] Appl. No.: **818,983**
- [22] Filed: **Jul. 25, 1977**
- [51] Int. Cl. **D15-03**
- [52] U.S. Cl. **D15/14**
- [58] Field of Search **D15/14; 56/13.3, 13.4, 56/16.6, 16.7, 17.2, 17.5, 202, 255, 320.2**

[56] **References Cited**

U.S. PATENT DOCUMENTS

B 494,167	3/1976	Comer	56/13.4
3,568,421	3/1971	Smith et al.	56/320.2
4,043,102	8/1977	Uhlinger et al.	56/202

OTHER PUBLICATIONS

Hardware Age, 9/76, p. 17, Jacobsen Super Bagger Mower, top left side of page; Jacobsen Twin Blade Mulcher, top center of page.
Hardware Age, 9/76, p. 105, MTD Mower, top of page.
Toro Brochure, p. 1, Grassmaster Mower.

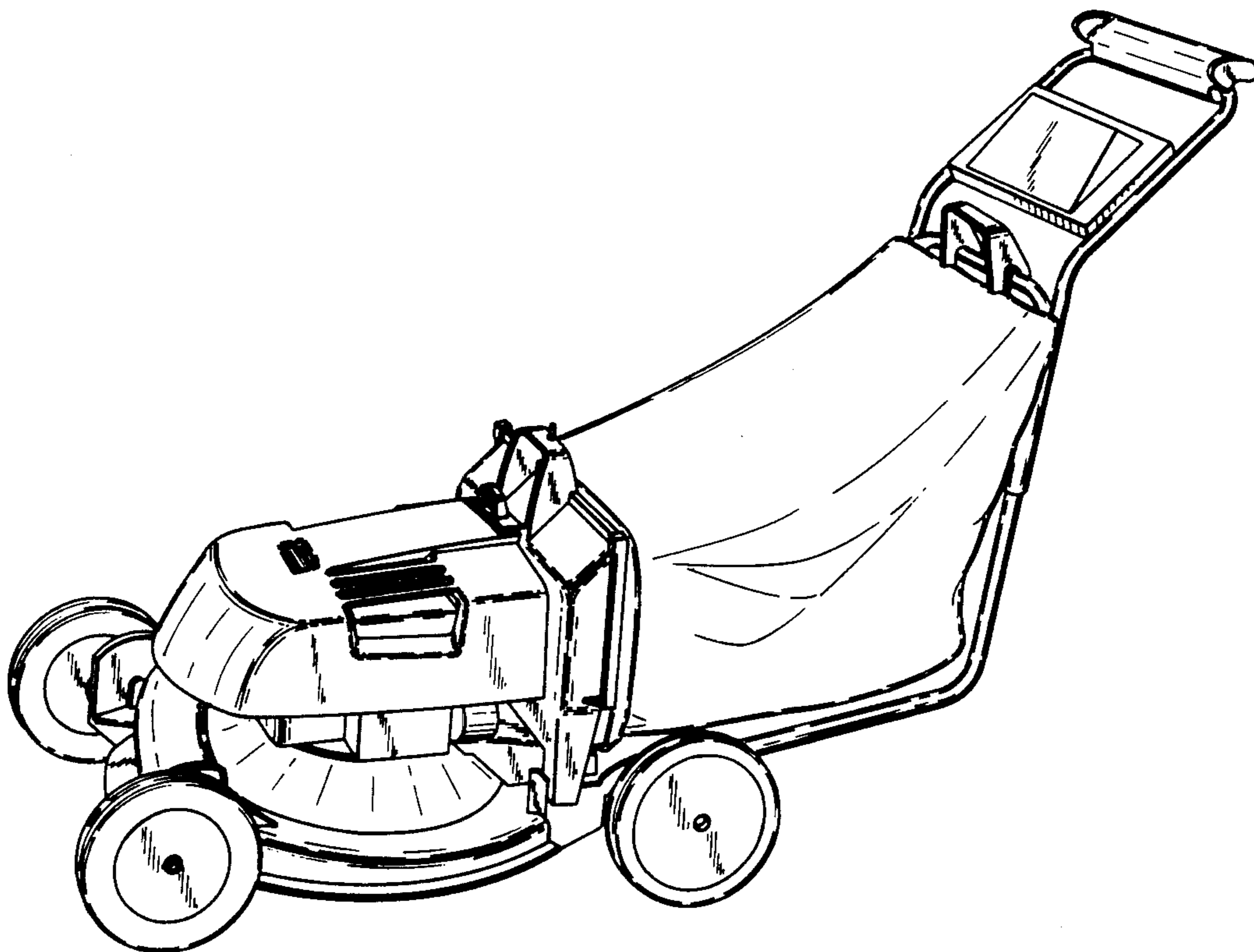
Primary Examiner—Wallace R. Burke
Assistant Examiner—James M. Gandy
Attorney, Agent, or Firm—Arthur J. Hansmann

[57] **CLAIM**

The ornamental design for a combined lawn mower and grass catcher, substantially as shown.

DESCRIPTION

FIG. 1 is a side perspective view of a combined lawn mower and grass catcher showing our new design.
FIG. 2 is a rear and side perspective view thereof.
FIG. 3 is a rear perspective view thereof.
FIG. 4 is a side perspective view thereof opposite to that shown in FIG. 1.
FIG. 5 is a front perspective view thereof.
FIG. 6 is a top perspective view thereof.



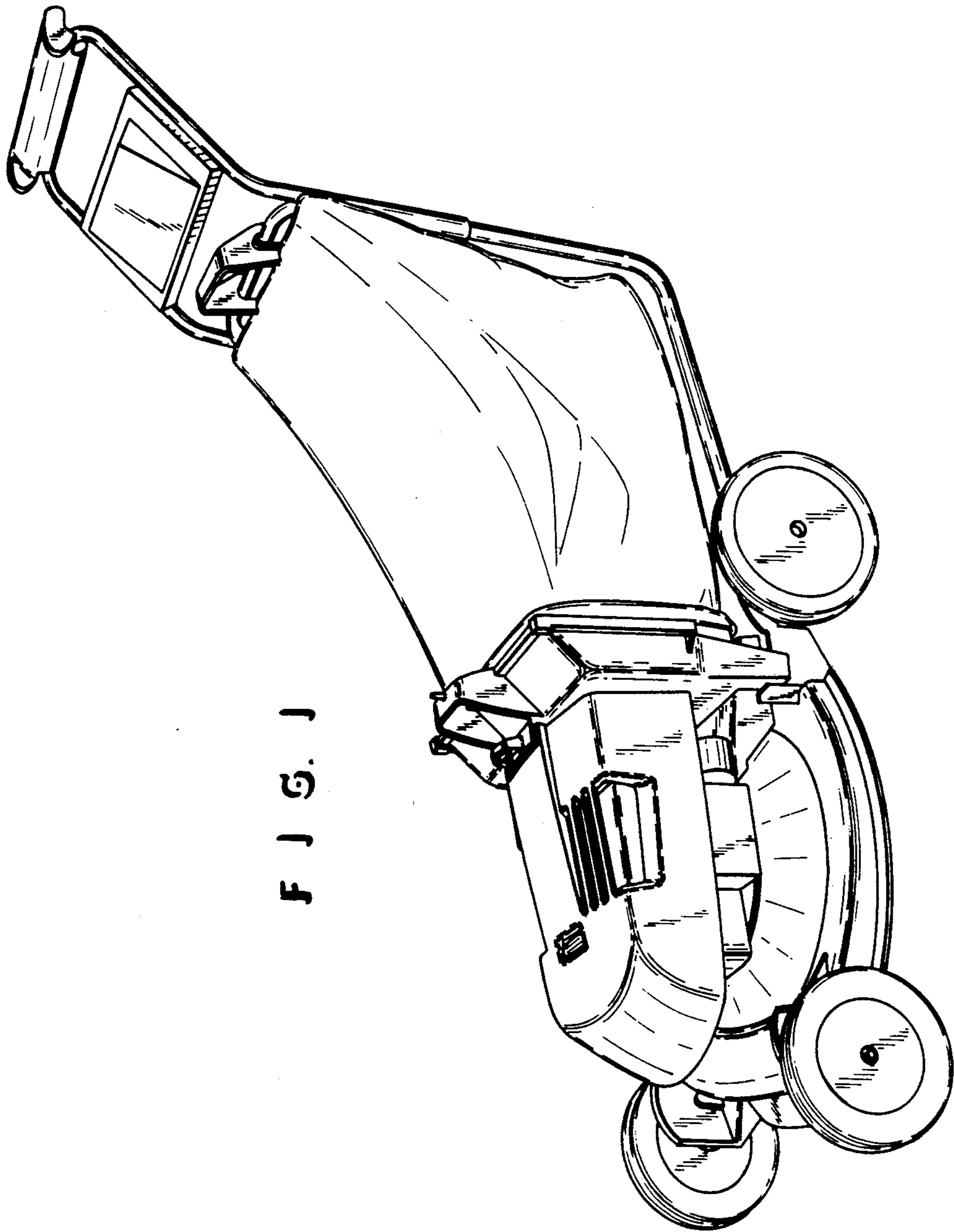
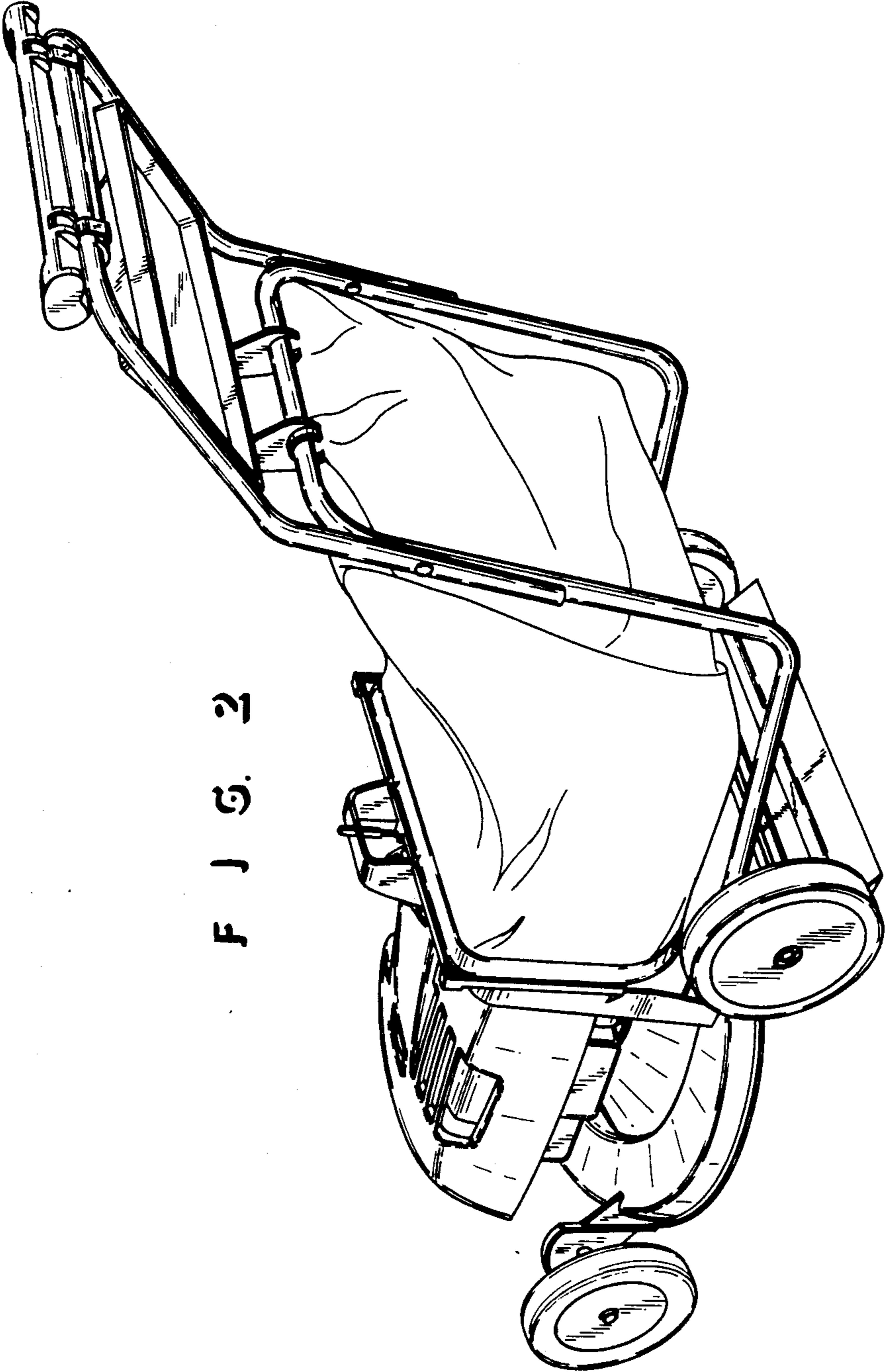


FIG. J



F I G. 2

FIG. 3

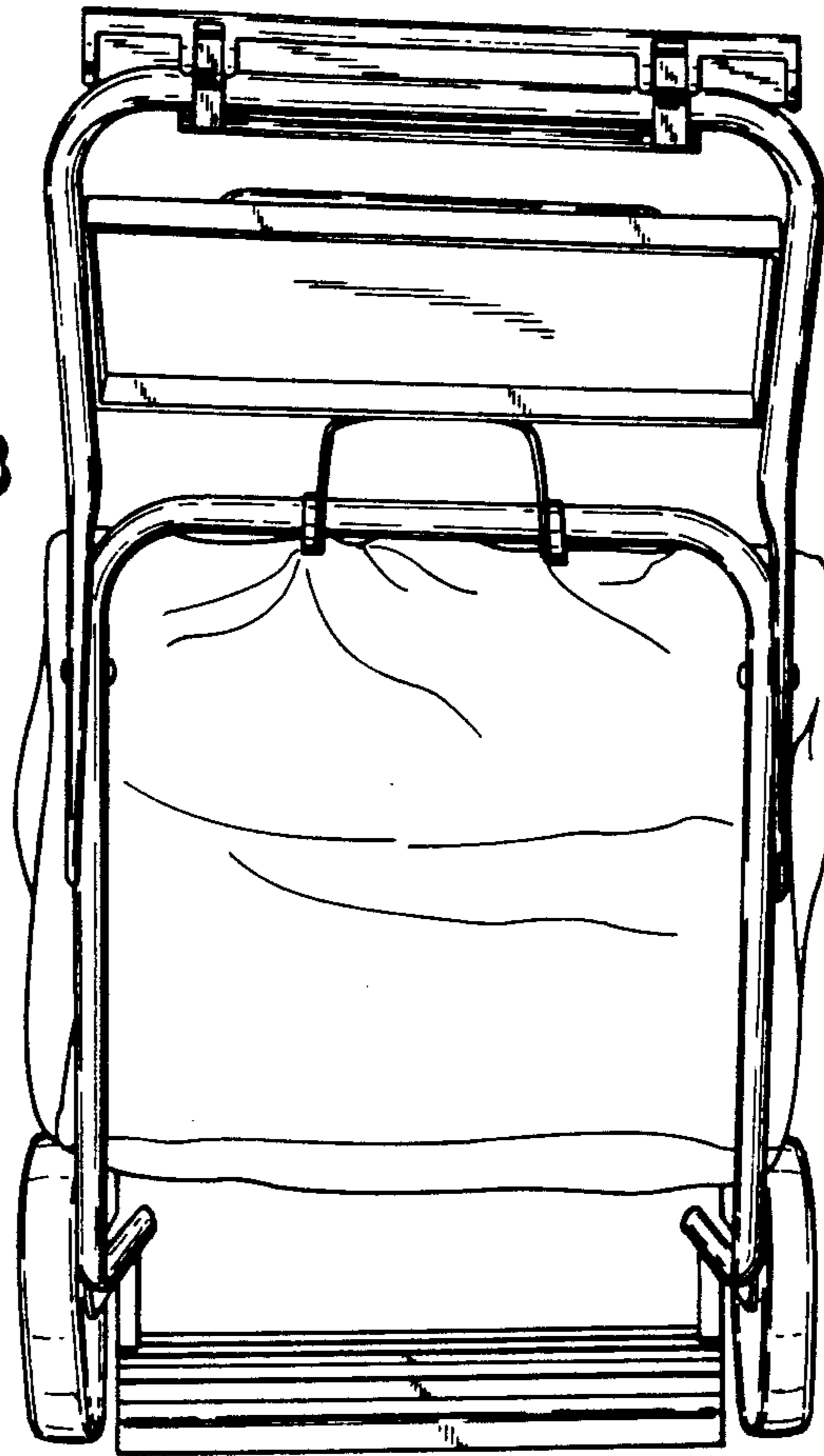
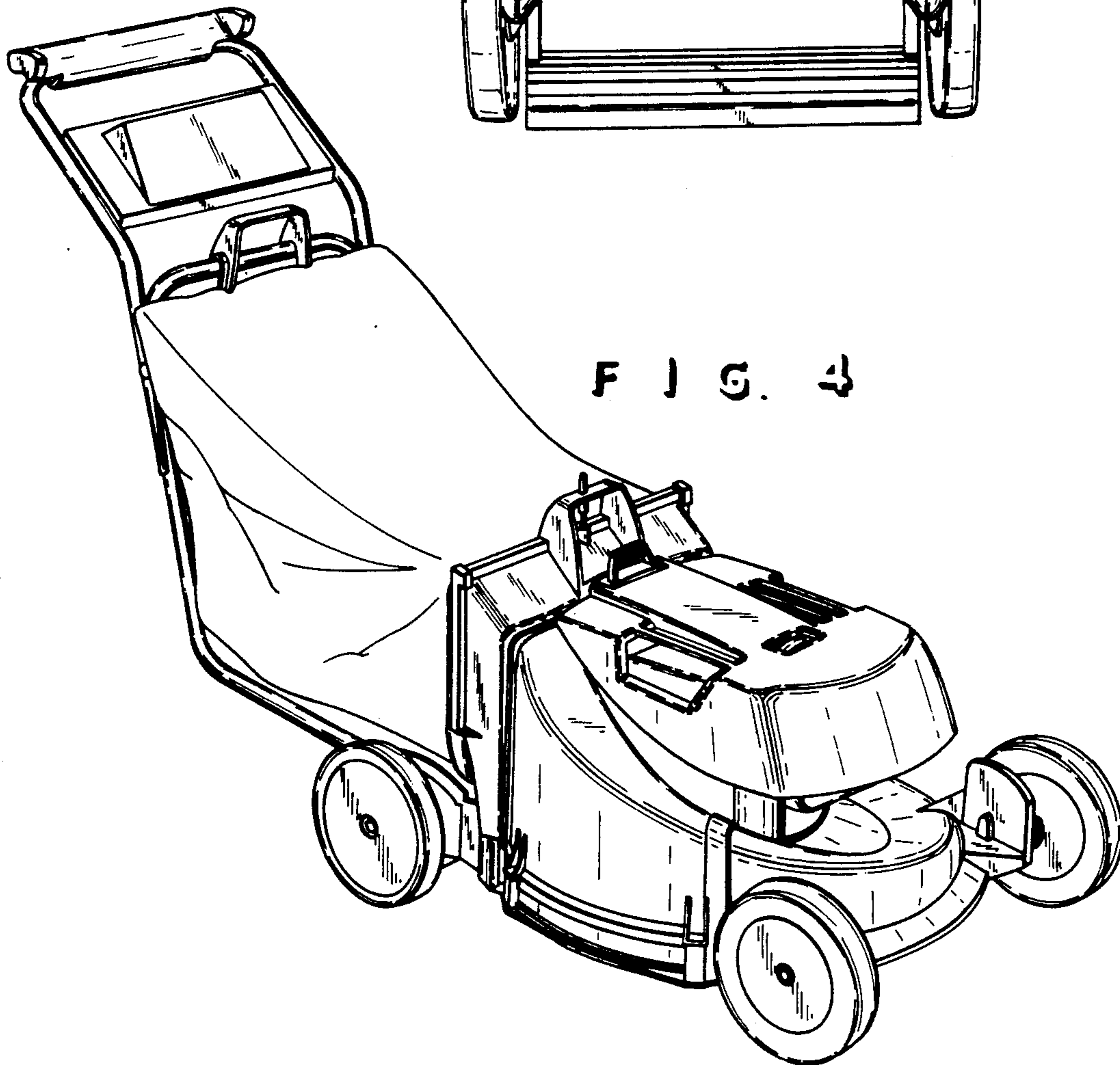
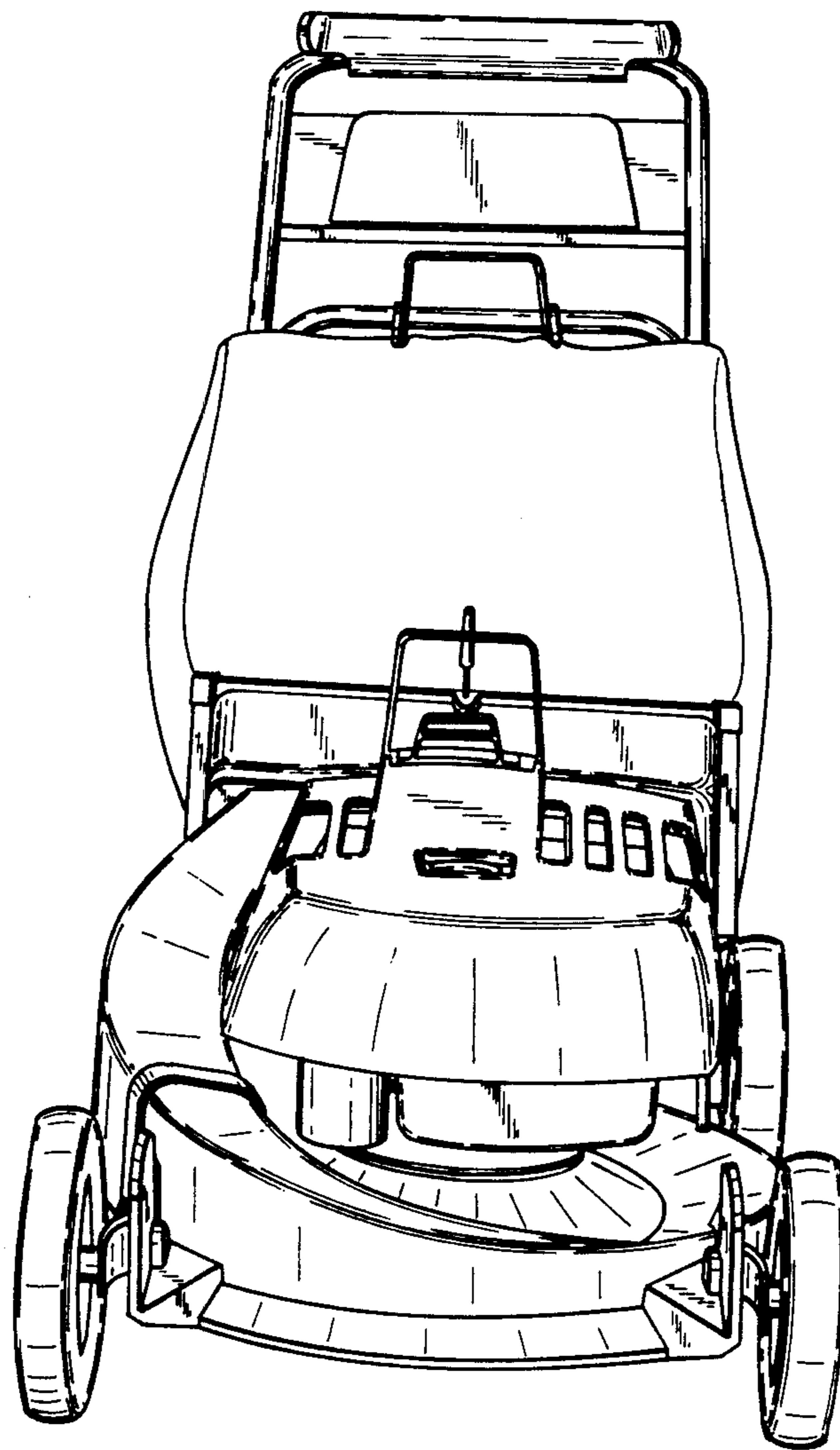


FIG. 4





F I G. 3

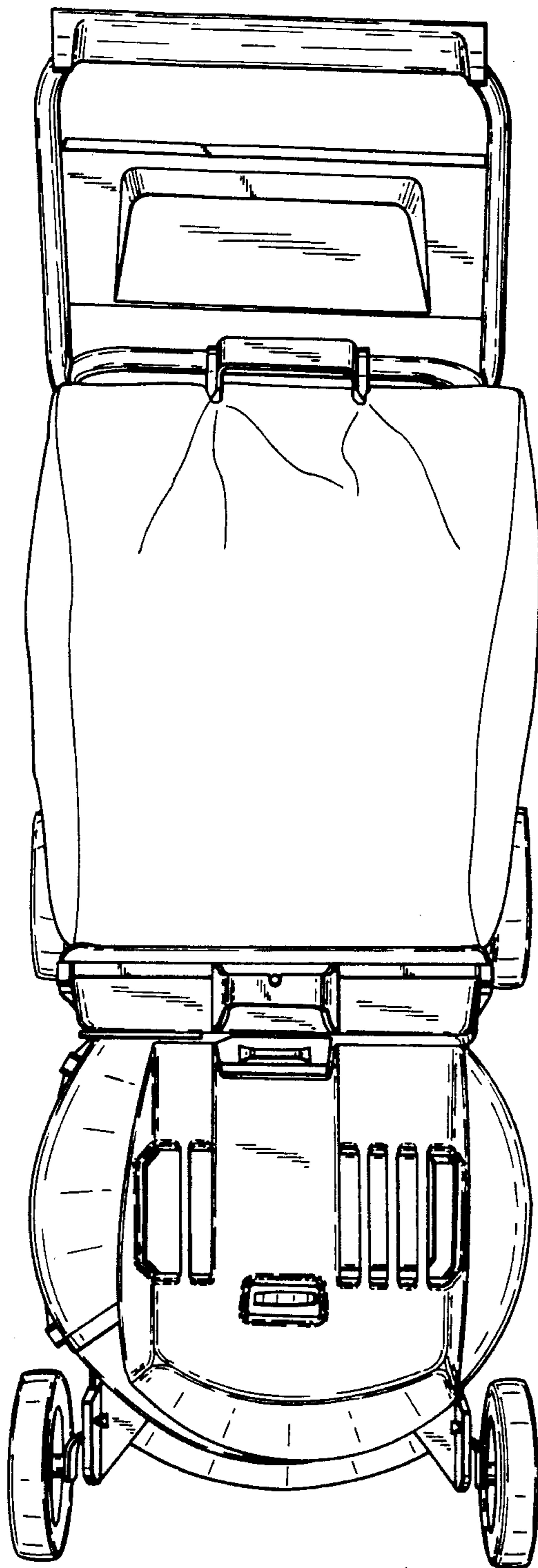


FIG. 6