

[54] ROTO-TILLER

[75] Inventors: Larry M. Cognata; Thomas C. Appleton, both of Nashville, Tenn.

[73] Assignee: The Murray Ohio Manufacturing Co., Brentwood, Tenn.

[**] Term: 14 Years

[21] Appl. No.: 713,992

[22] Filed: Aug. 12, 1976

[51] Int. Cl. D15-03

[52] U.S. Cl. D15/12

[58] Field of Search D15/12; 172/42, 43

[56] References Cited

PUBLICATIONS

1971 Sears Suburban and Farm Living Catalog, p. 154, 8-HP Rotor-Spader, top left side of page.

Hardware Age 5/75, p. 82, AMF Tiller, top center of page.

Hardware Age, 8/74, p. 18, Tiller, bottom left side of page.

Primary Examiner—Wallace R. Burke
Assistant Examiner—James M. Gandy
Attorney, Agent, or Firm—John W. Malley

[57] CLAIM

The ornamental design for rotor-tiller, substantially as shown and described.

DESCRIPTION

FIG. 1 is a front perspective view of a roto-tiller showing our new design, it being understood that the broken lines are for illustrative purposes only;

FIG. 2 is an enlarged side elevational view thereof;

FIG. 3 is an enlarged front elevational view thereof;

FIG. 4 is an enlarged side elevational view thereof opposite to that shown in FIG. 2; and

FIG. 5 is a greatly enlarged rear elevational view thereof.

The handle bars have been broken away in the middle in FIGS. 2, 3, 4 and 5 for convenience of illustration.

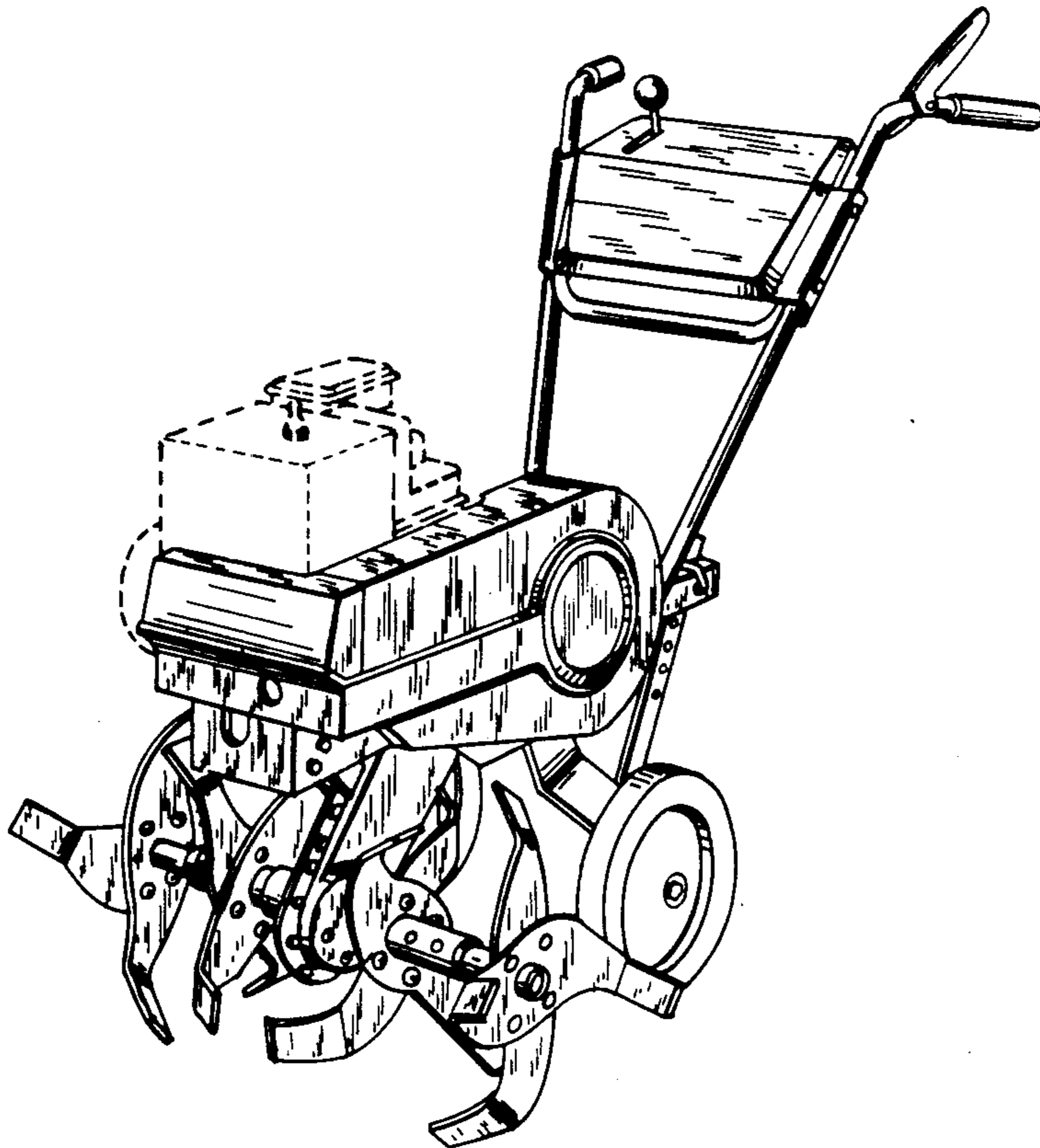
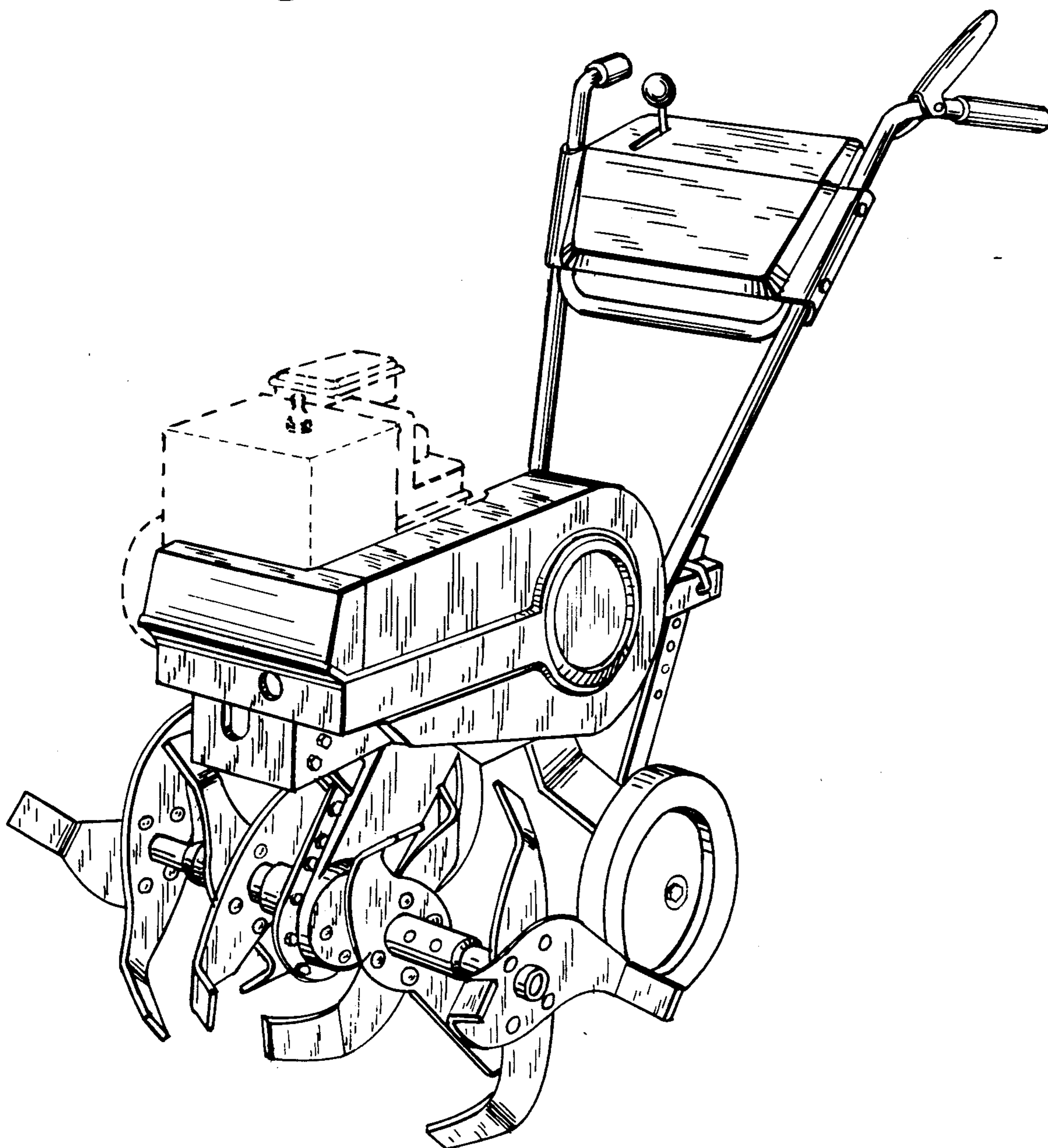


Fig. 1.



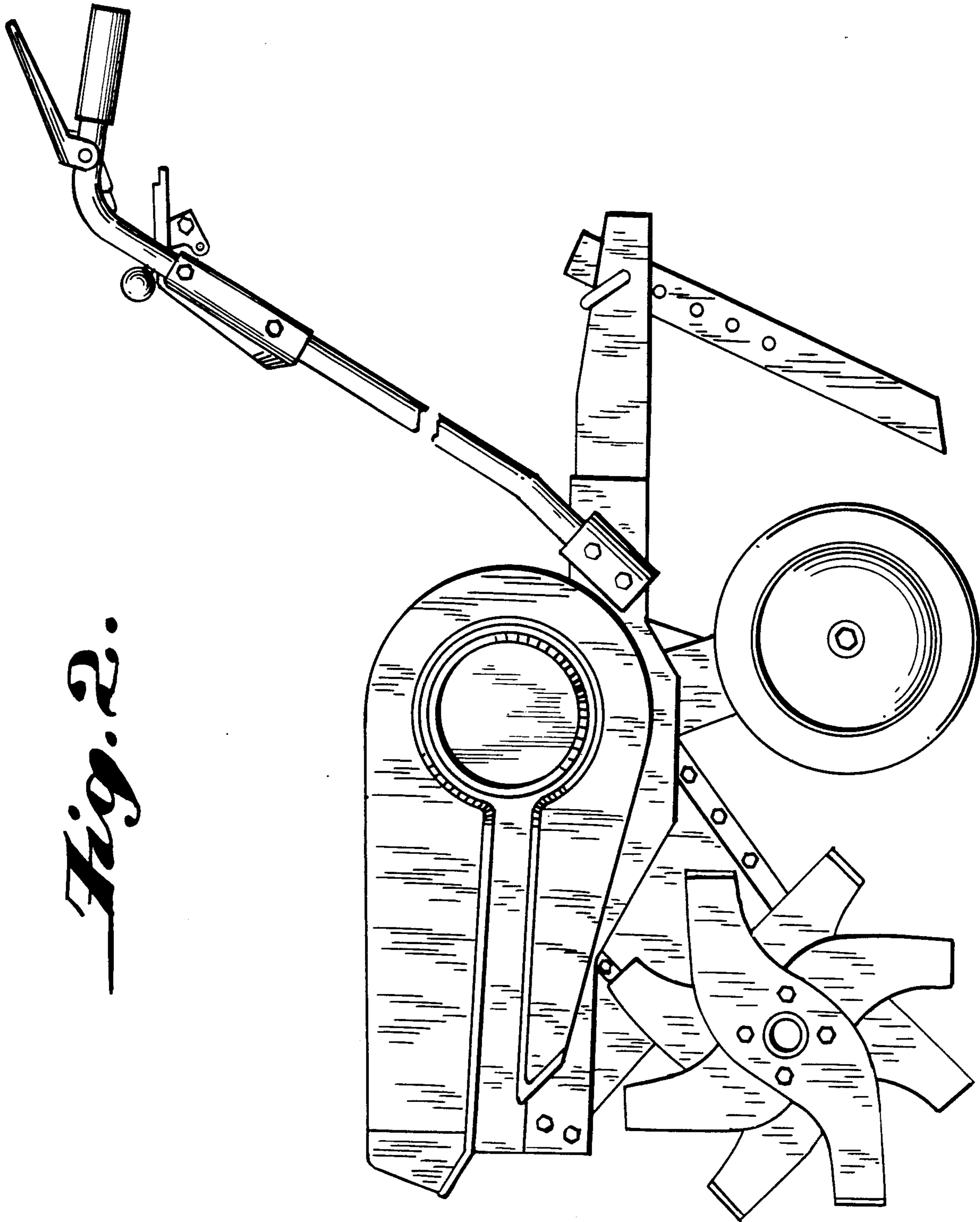


Fig. 2.

Fig. 3.

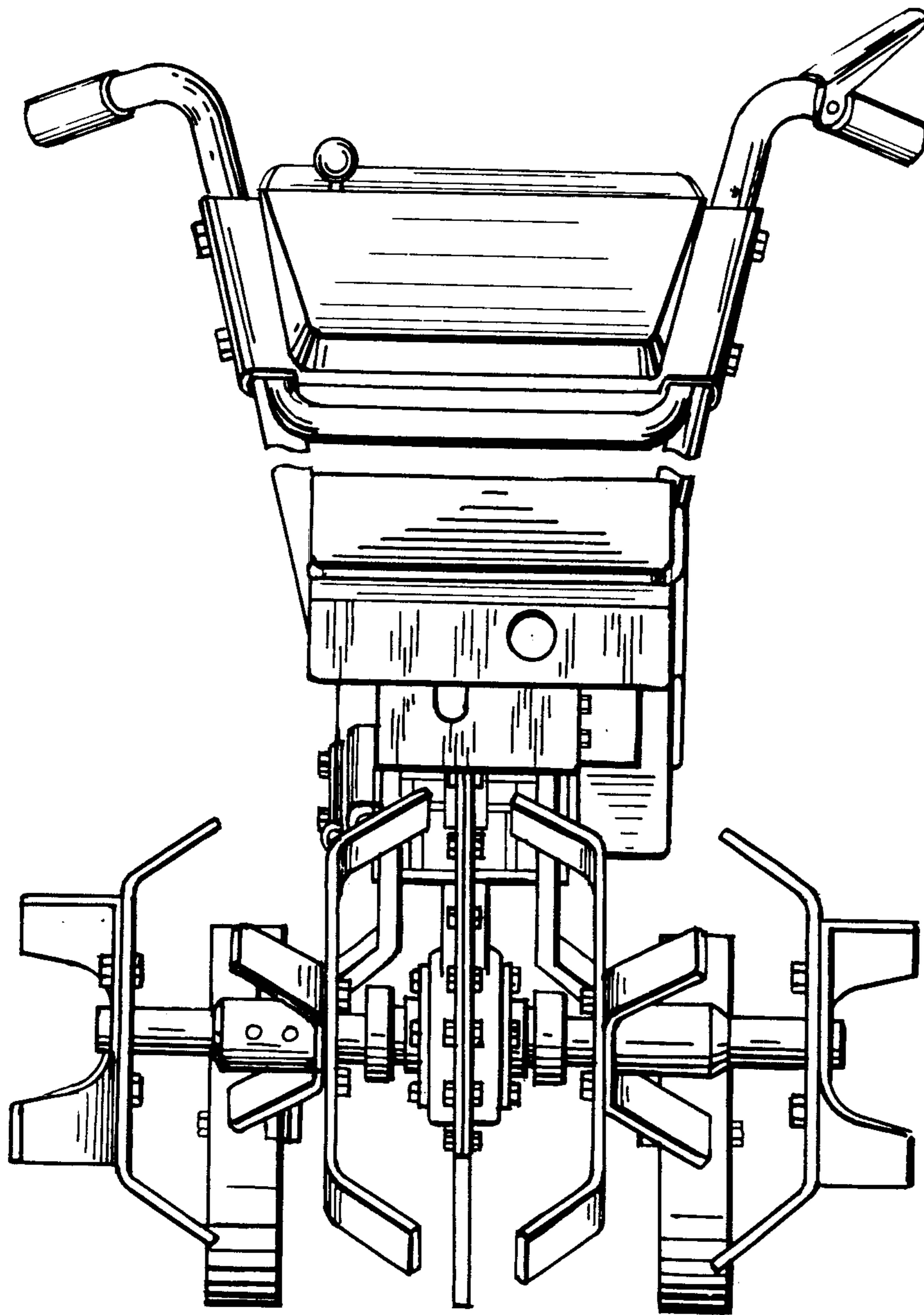


Fig. 4.

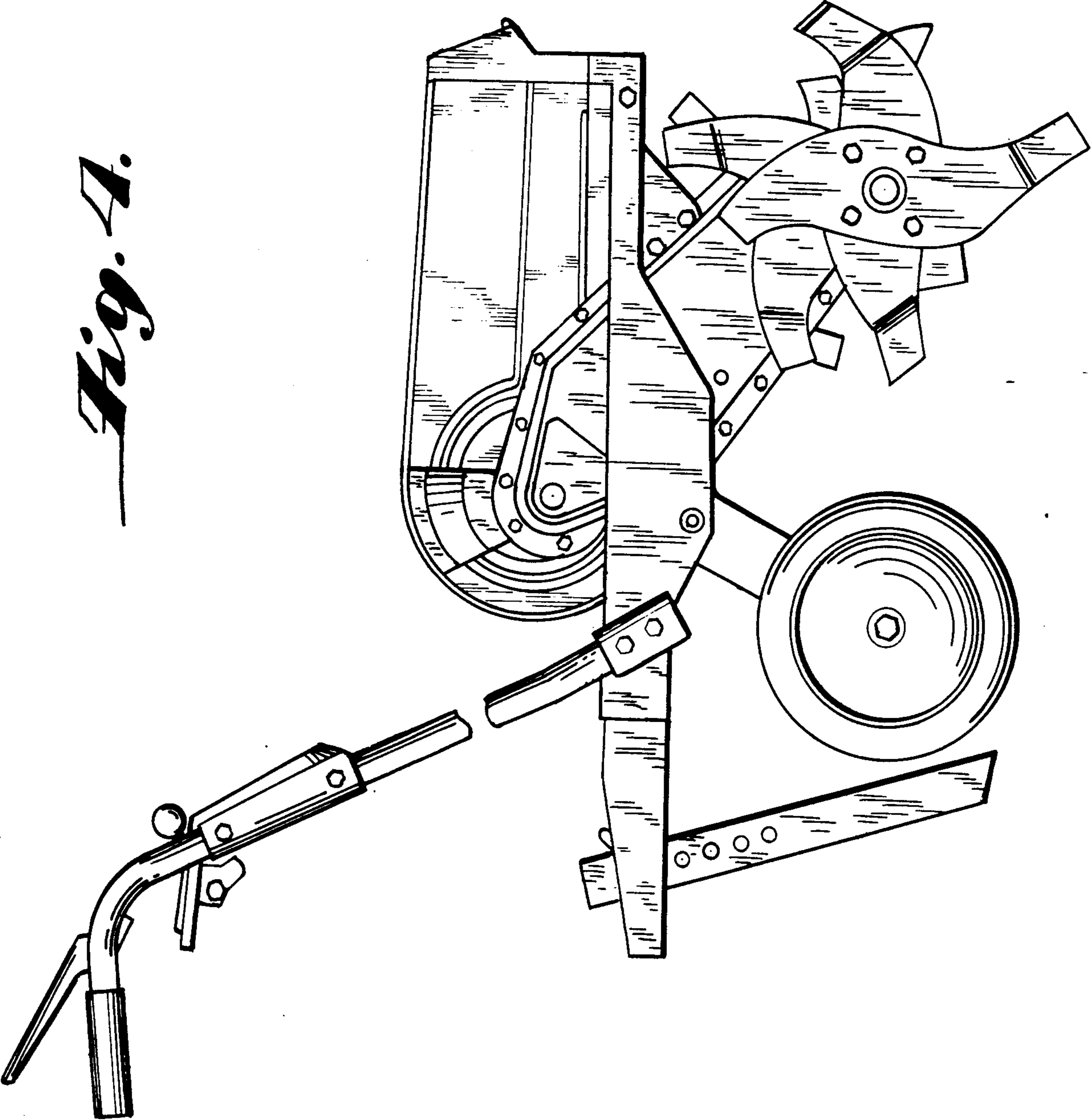


Fig. 5.

