

[54] TAPE RECORDER

[75] Inventors: Takemi Ebata, Kyoto; Kunishige Miki, Katano, both of Japan

[73] Assignee: Matsushita Electric Industrial Co., Kadoma, Japan

[\*\*] Term: 14 Years

[21] Appl. No.: 753,913

[22] Filed: Dec. 23, 1976

[30] Foreign Application Priority Data

Jul. 9, 1976 [JP] Japan ..... 51-26599

[51] Int. Cl. .... D14-01

[52] U.S. Cl. .... D14/8

[58] Field of Search ..... D14/2, 3, 4, 8, 9; 312/7 R, 8; 360/71, 90, 95

[56]

References Cited

U.S. PATENT DOCUMENTS

D. 228,195 8/1973 Taguchi ..... D14/8  
D. 230,488 2/1974 Shimizu ..... D14/8

Primary Examiner—Wallace R. Burke  
Assistant Examiner—James M. Gandy  
Attorney, Agent, or Firm—Eric H. Waters

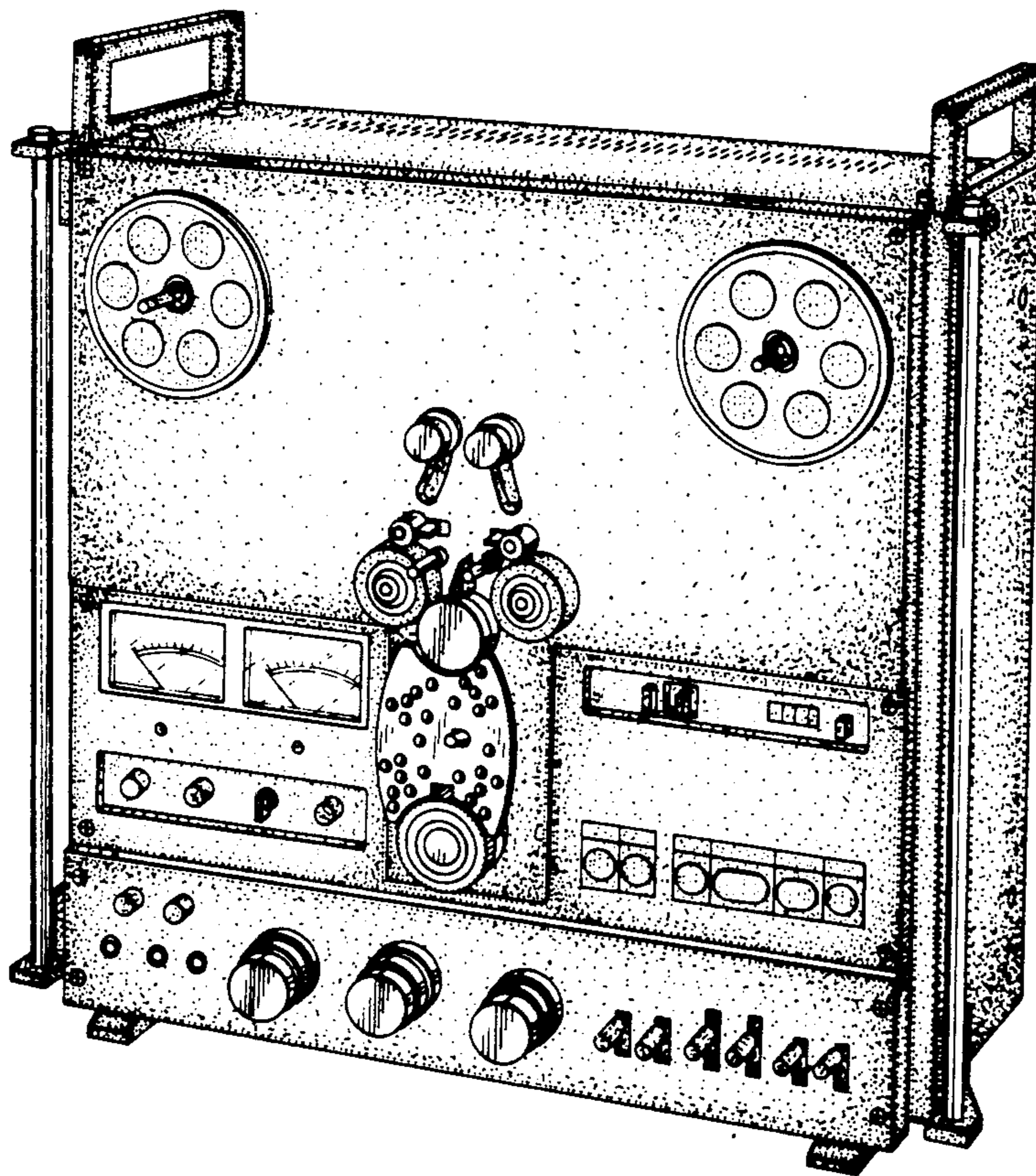
[57]

CLAIM

The ornamental design for a tape recorder, as shown.

DESCRIPTION

FIG. 1 is a front perspective view of a tape recorder showing our new design, FIG. 2 is a rear, left side and bottom perspective view thereof, FIG. 3 is a left side elevational view thereof, and FIG. 4 is a top plan view thereof.



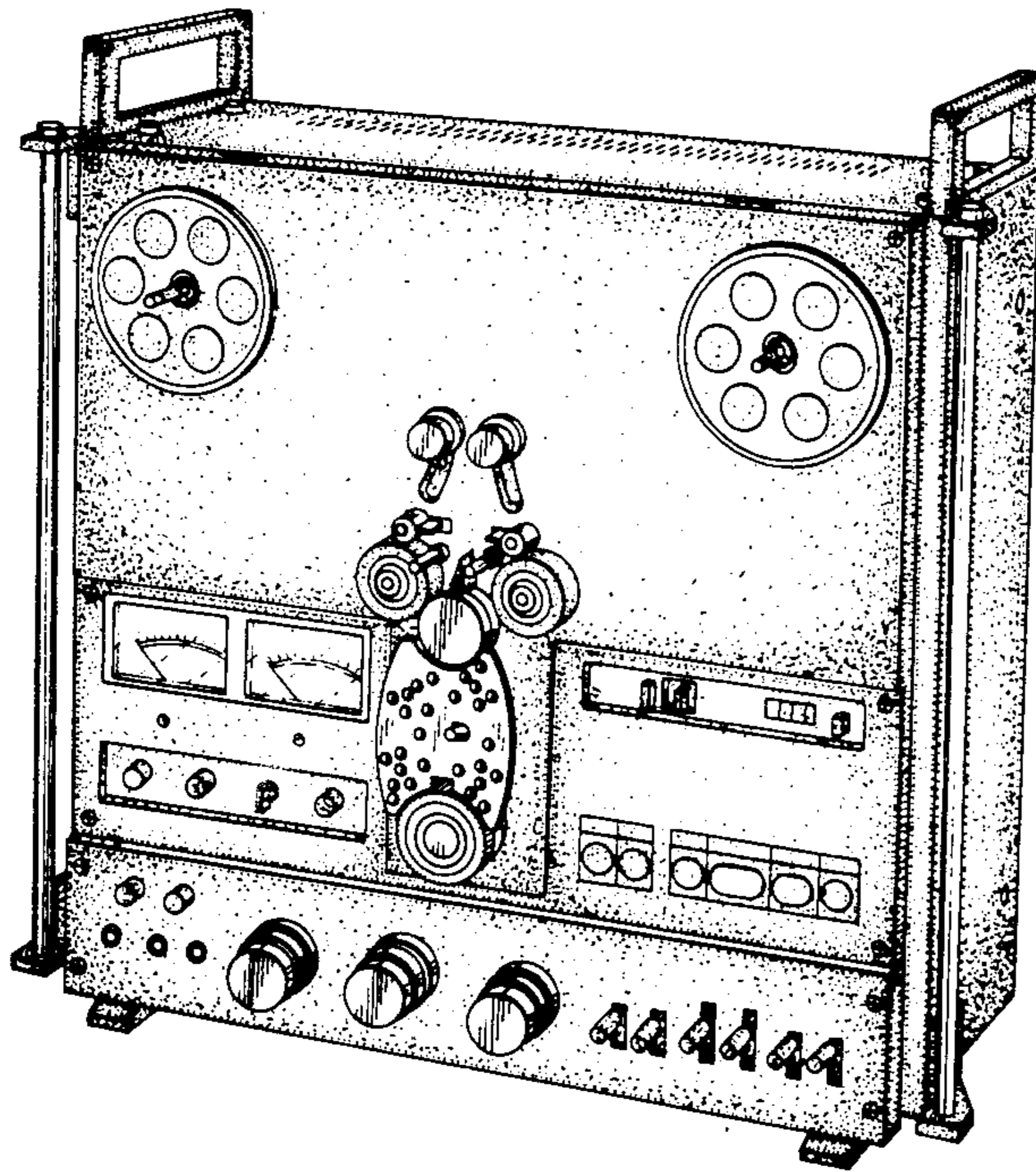


FIG. 1

FIG. 2

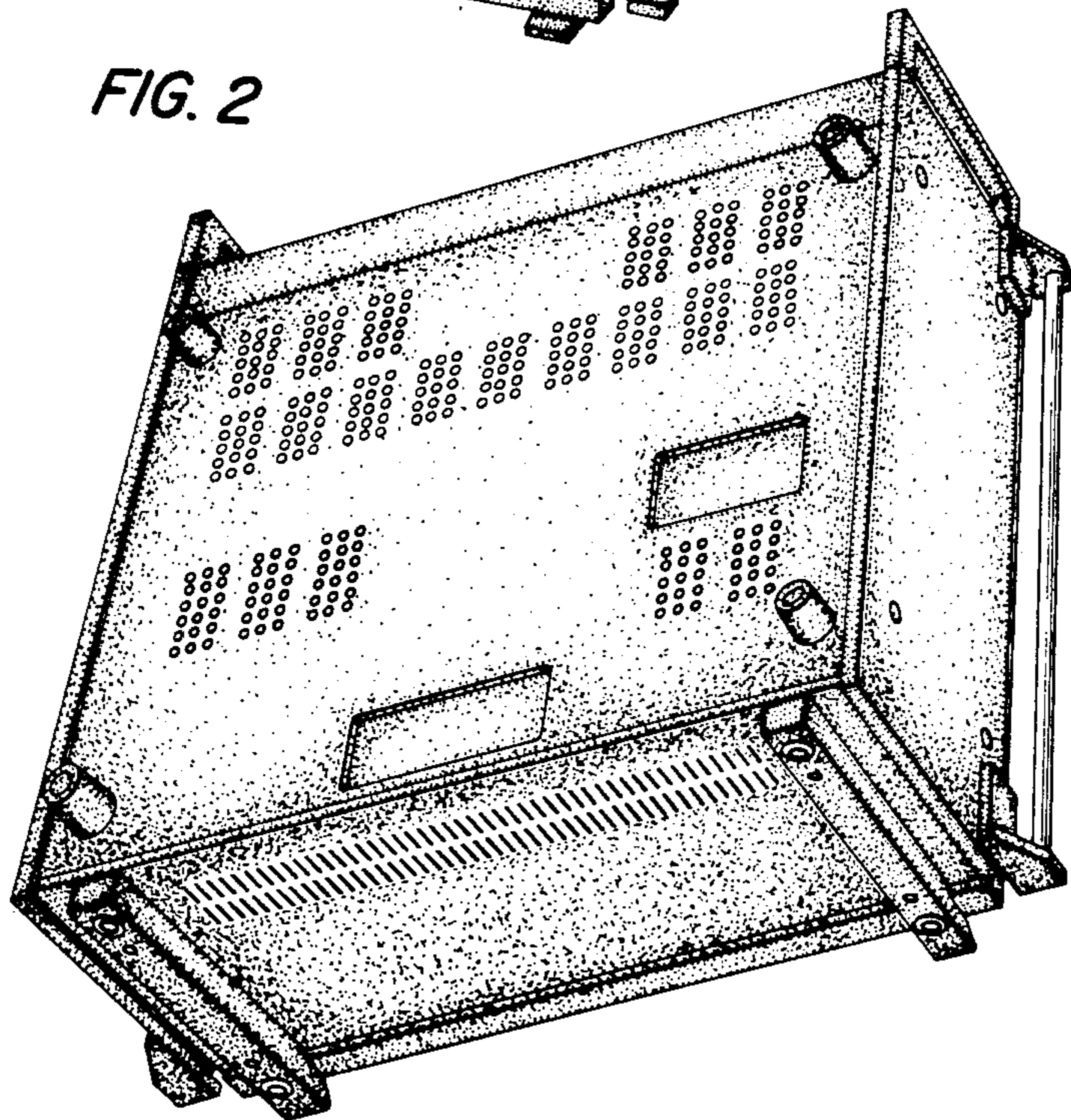




FIG. 3

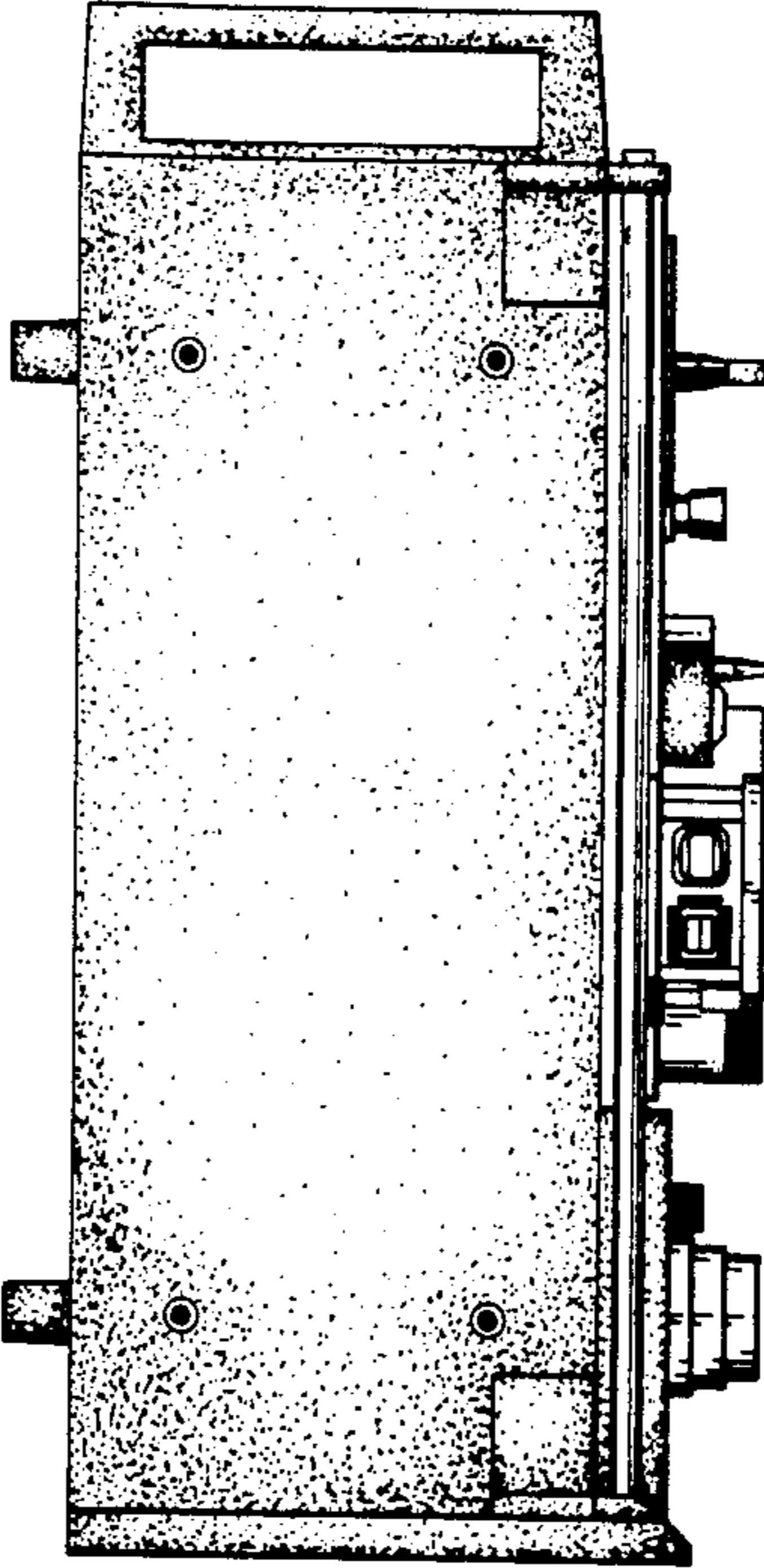


FIG. 4

