

[54] ELECTRICAL CONNECTOR

[75] Inventors: Arthur Thomas Spencer, Biggleswade; Paul Robert Hardy, Upper Caldecote, both of England

[73] Assignee: Pye (Electronic Products) Limited, Cambridge, England

[\*\*] Term: 14 Years

[21] Appl. No.: 788,121

[22] Filed: Apr. 18, 1977

[30] Foreign Application Priority Data

Oct. 19, 1976 [GB] United Kingdom ..... 977567/76

[51] Int. Cl. .... D13-03

[52] U.S. Cl. .... D13/24

[58] Field of Search ..... D13/12, 24, 27, 28, D13/99; 339/125, 175 R, 175 A, 176 R, 176 MP, 198 R, 103

[56] References Cited

U.S. PATENT DOCUMENTS

3,167,376	1/1965	Edwards .....	339/198 R
3,293,593	12/1966	Nielsen et al. ....	339/198 R
3,668,301	6/1972	Faulconer .....	339/198 R X

OTHER PUBLICATIONS

American Pamcor Inc. Terminal & Connector Handbook, p. 530-connector.

Electronic Design, Nov. 12, 1975, p. 199, TKC® stacking connectors.

Primary Examiner—Susan J. Lucas

Attorney, Agent, or Firm—Frank R. Trifari

[57] CLAIM

The ornamental design for an electrical connector, as shown.

DESCRIPTION

FIG. 1 is a perspective view of an electrical connector showing our new design;

FIG. 2 is a front elevational view thereof;

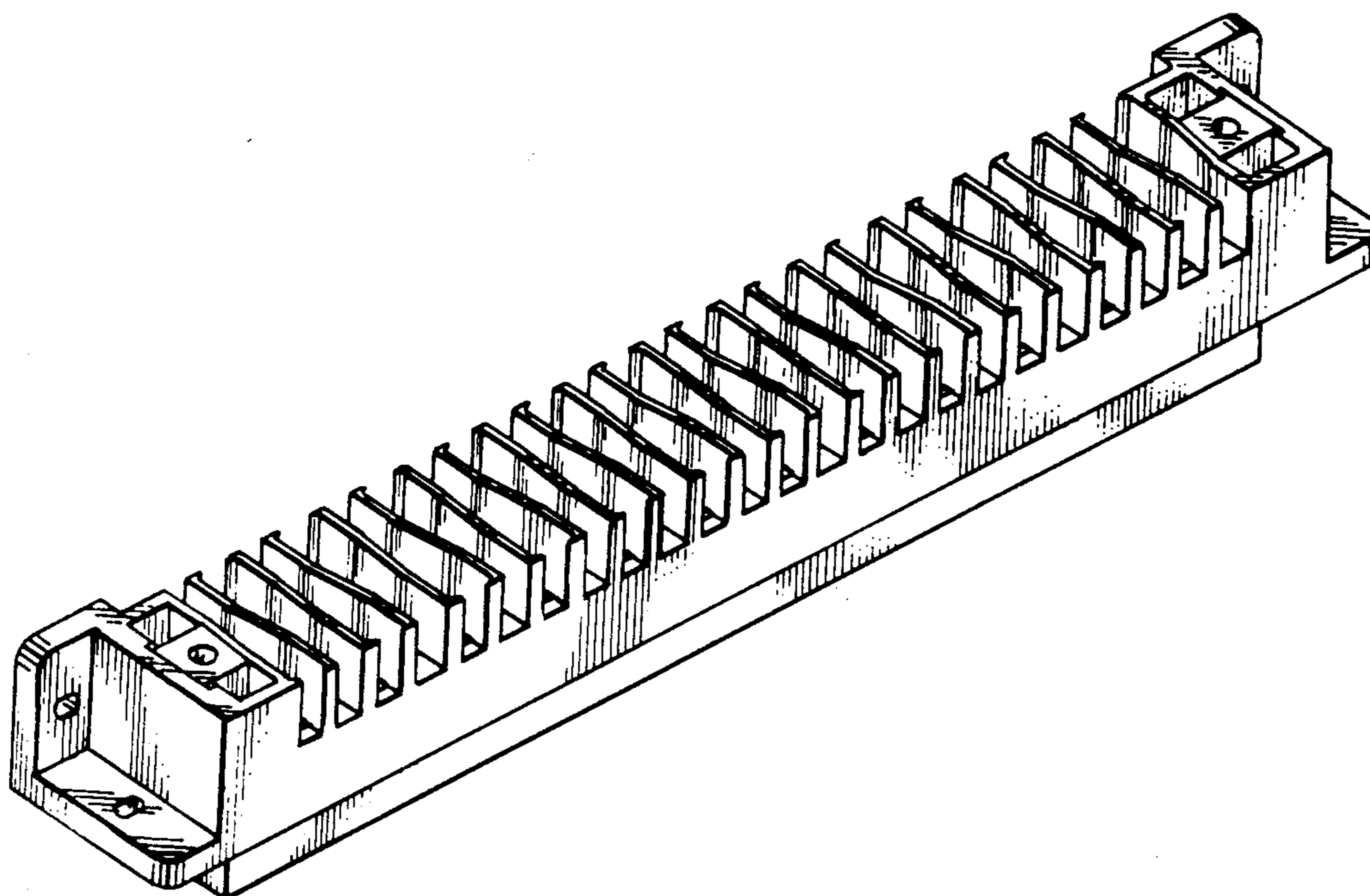
FIG. 3 is a rear elevational view thereof;

FIG. 4 is a right side elevational view thereof;

FIG. 5 is a left side elevational view thereof;

FIG. 6 is a top plan view thereof; and

FIG. 7 is a bottom plan view thereof.



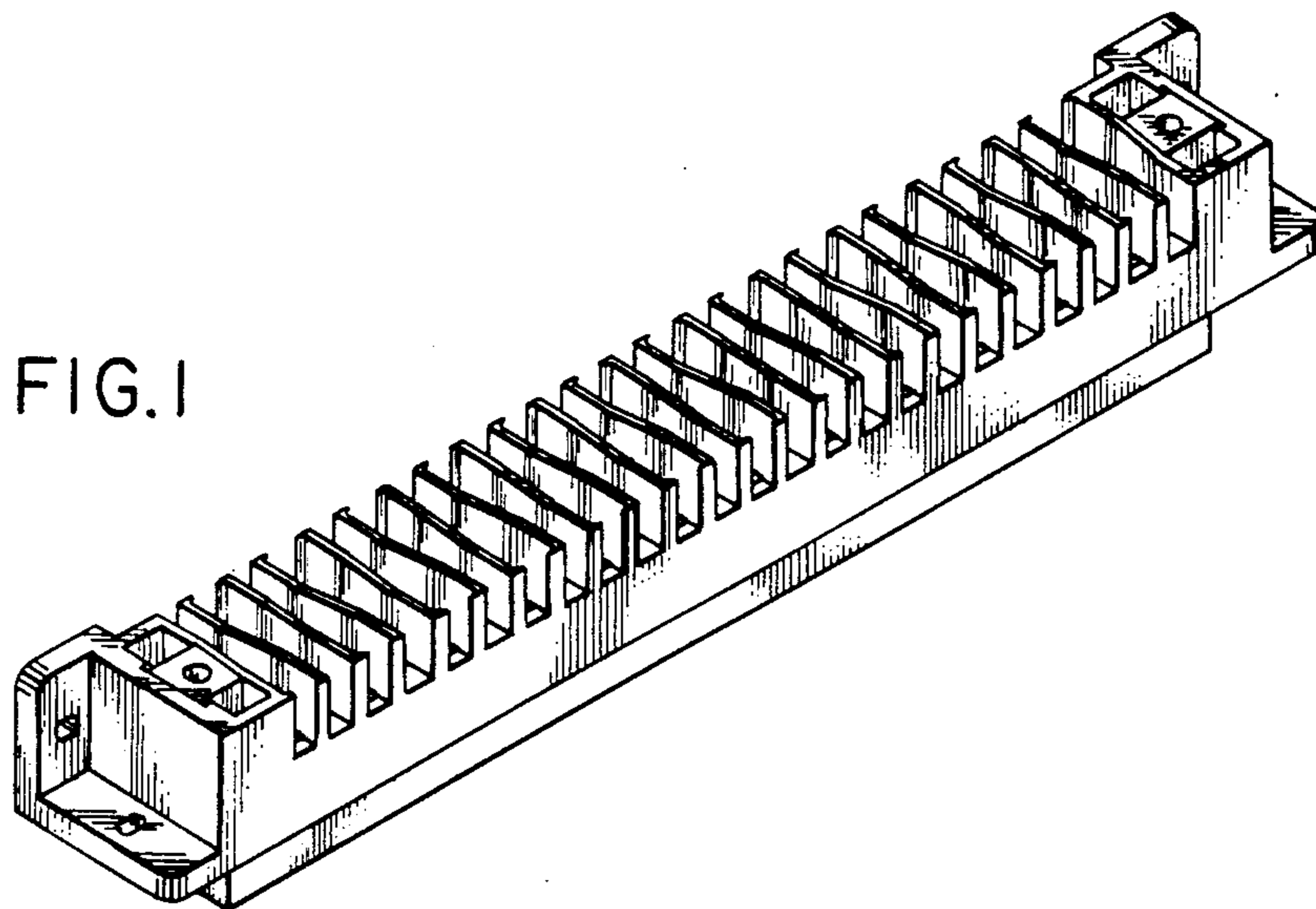


FIG. 2

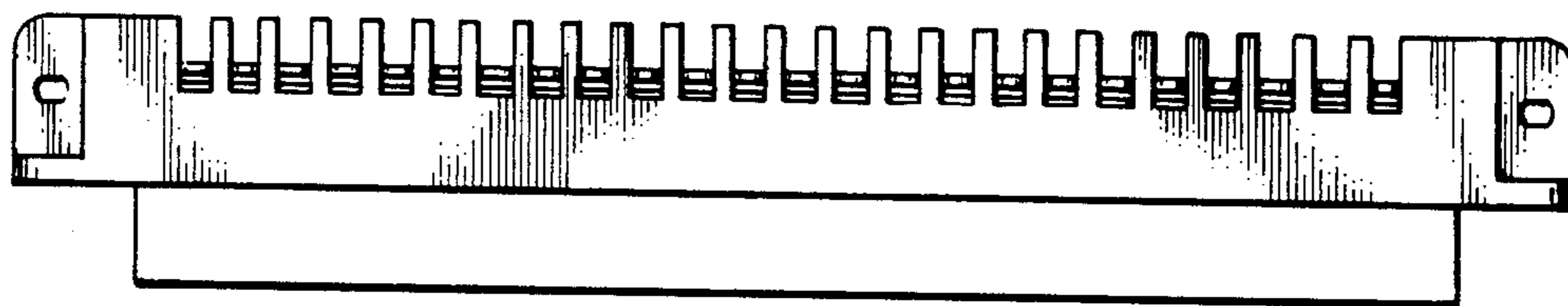


FIG. 3

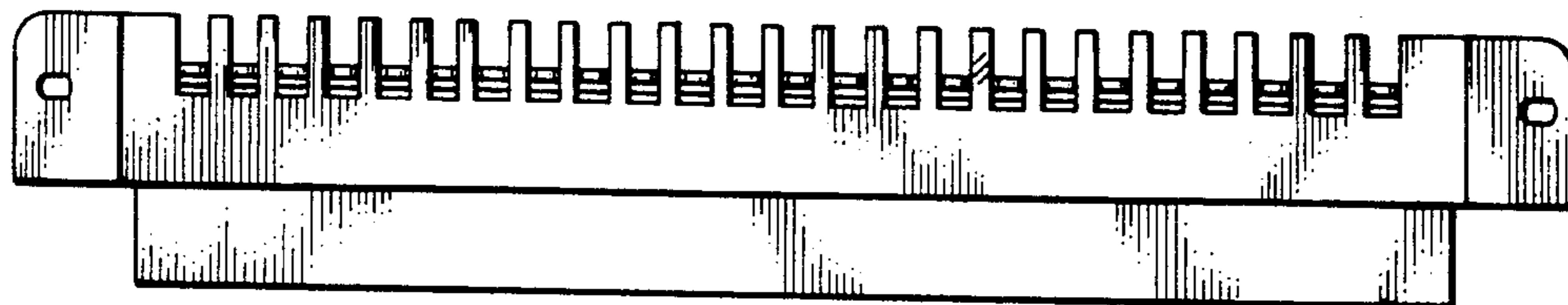


FIG. 4

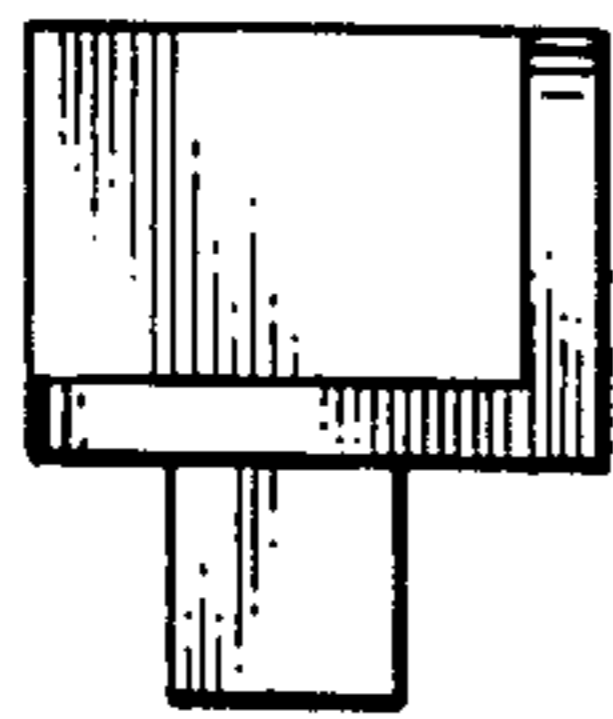


FIG. 5

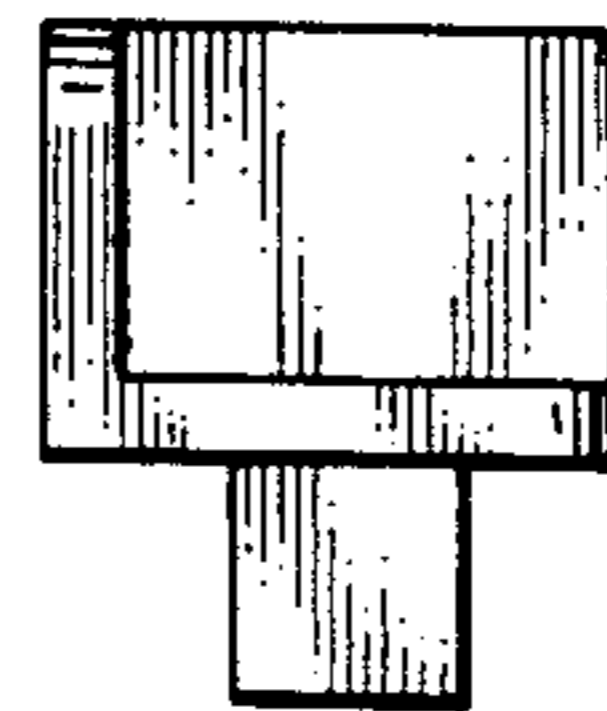


FIG. 6

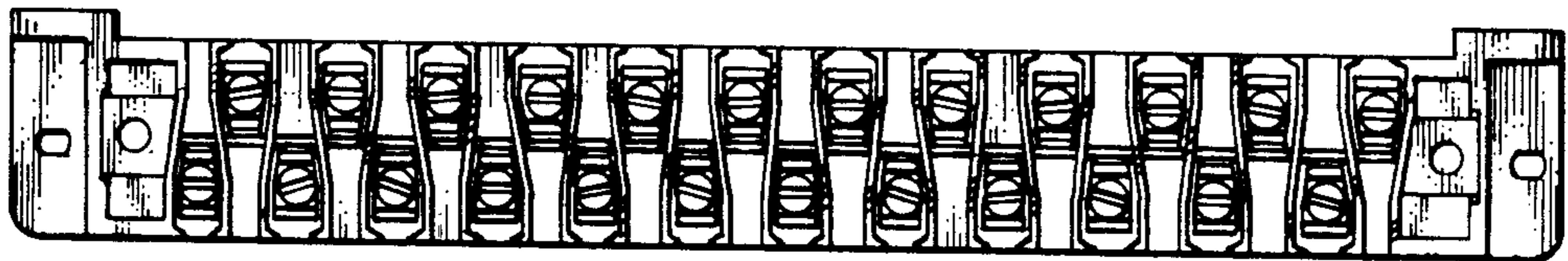


FIG. 7

