

[54] ELECTRICAL TERMINAL

3,654,586 4/1972 Winkler ..... 339/49 R

[75] Inventors: Richard J. Rink, Ewart; Gerald K. Miller, Hersey, both of Mich.

OTHER PUBLICATIONS

Pomona Electronics, Electronic Test Accesories Catalog 1972, p. 7, Molded Banana Plug.

[73] Assignee: Nartron Corporation, Reed City, Mich.

Primary Examiner—Susan J. Lucas  
Attorney, Agent, or Firm—Lon H. Romanski

[\*\*] Term: 14 Years

[57] CLAIM

[21] Appl. No.: 778,121

The ornamental design for an electrical terminal, as shown and described.

[22] Filed: Mar. 16, 1977

[51] Int. Cl. .... D13-03

DESCRIPTION

[52] U.S. Cl. .... D13/24

FIG. 1 is a top plan view of an electrical terminal showing our new design;

[58] Field of Search ..... D13/12, 24, 27, 28, D13/99; 339/195 R, 195 A, 195 M, 196 R, 48, 49 R, 49 B

FIG. 2 is a side elevational view thereof;

FIG. 3 is a front elevational view thereof;

FIG. 4 is a rear elevational view thereof;

FIG. 5 is an elevational view of the side opposite that shown in FIG. 2;

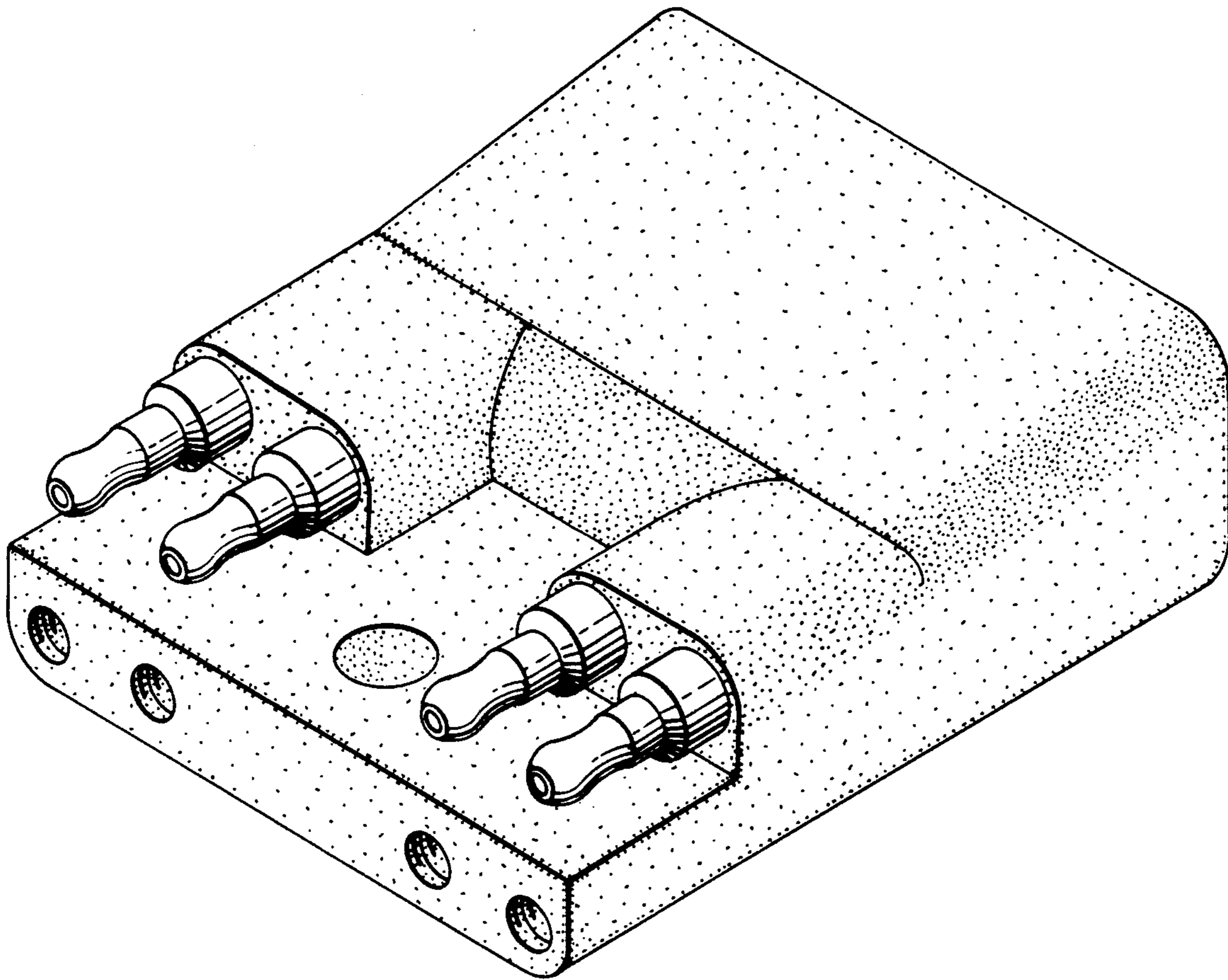
FIG. 6 is a bottom plan view thereof; and

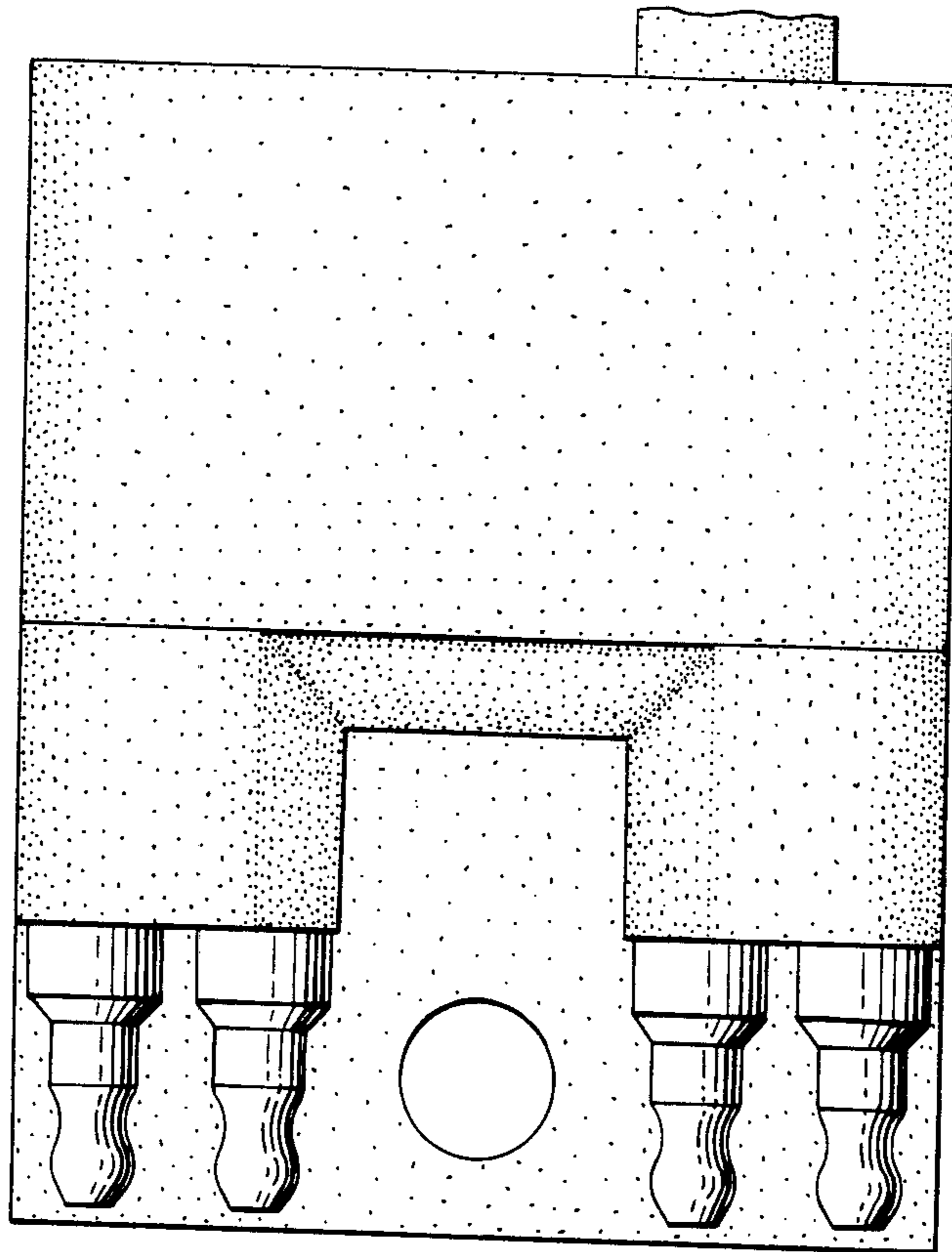
FIG. 7 is an isometric view of the electrical terminal of FIGS. 1-6.

[56] References Cited

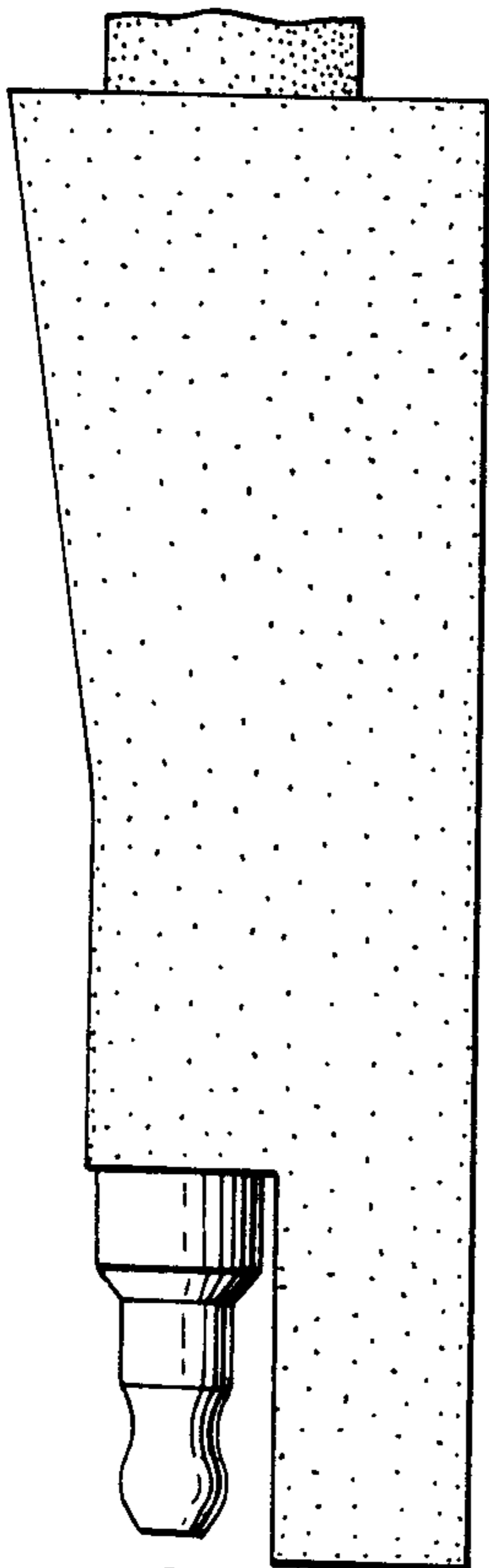
U.S. PATENT DOCUMENTS

D. 195,171	5/1963	Keller	.....	D13/24
1,580,879	4/1926	Evans	.....	339/195 R X
1,967,021	7/1934	Gary	.....	339/196 R X

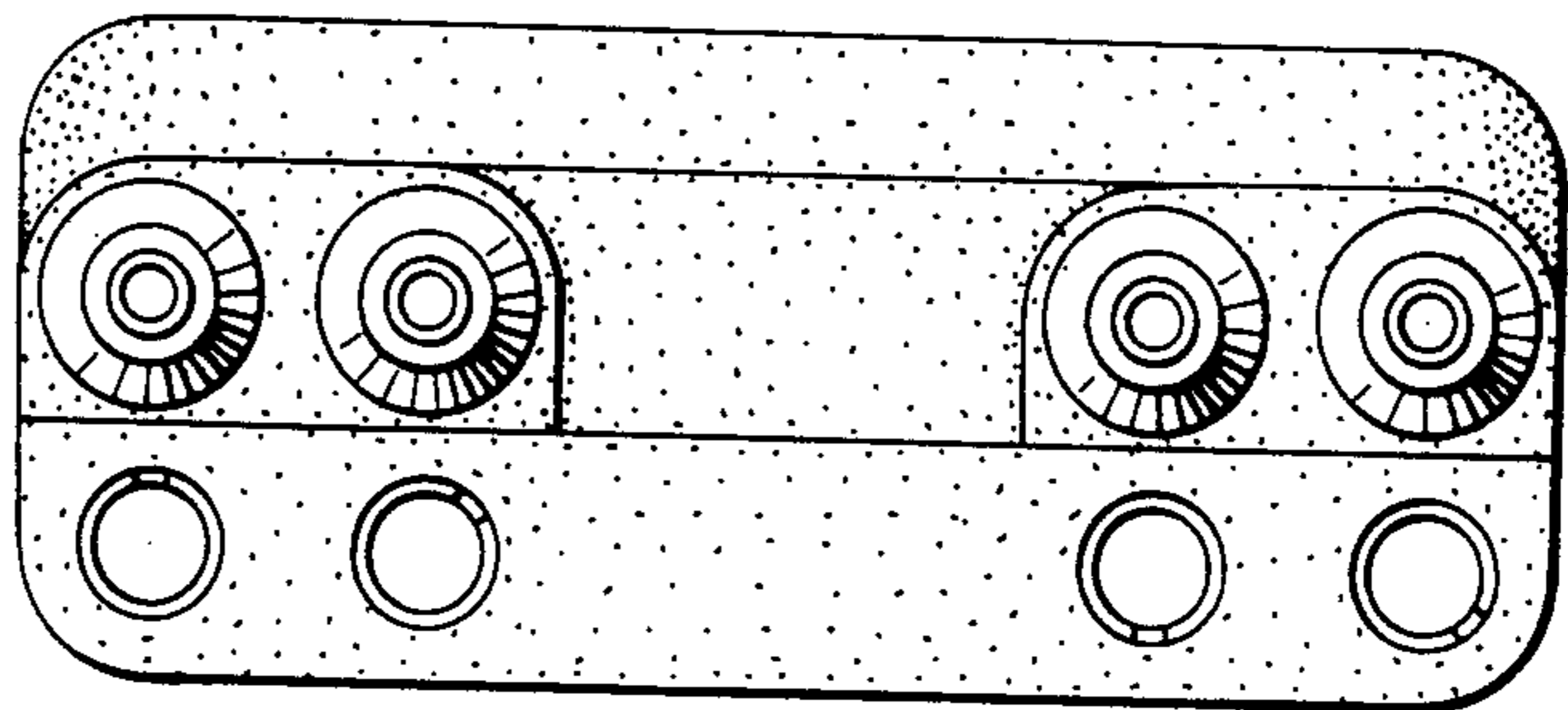




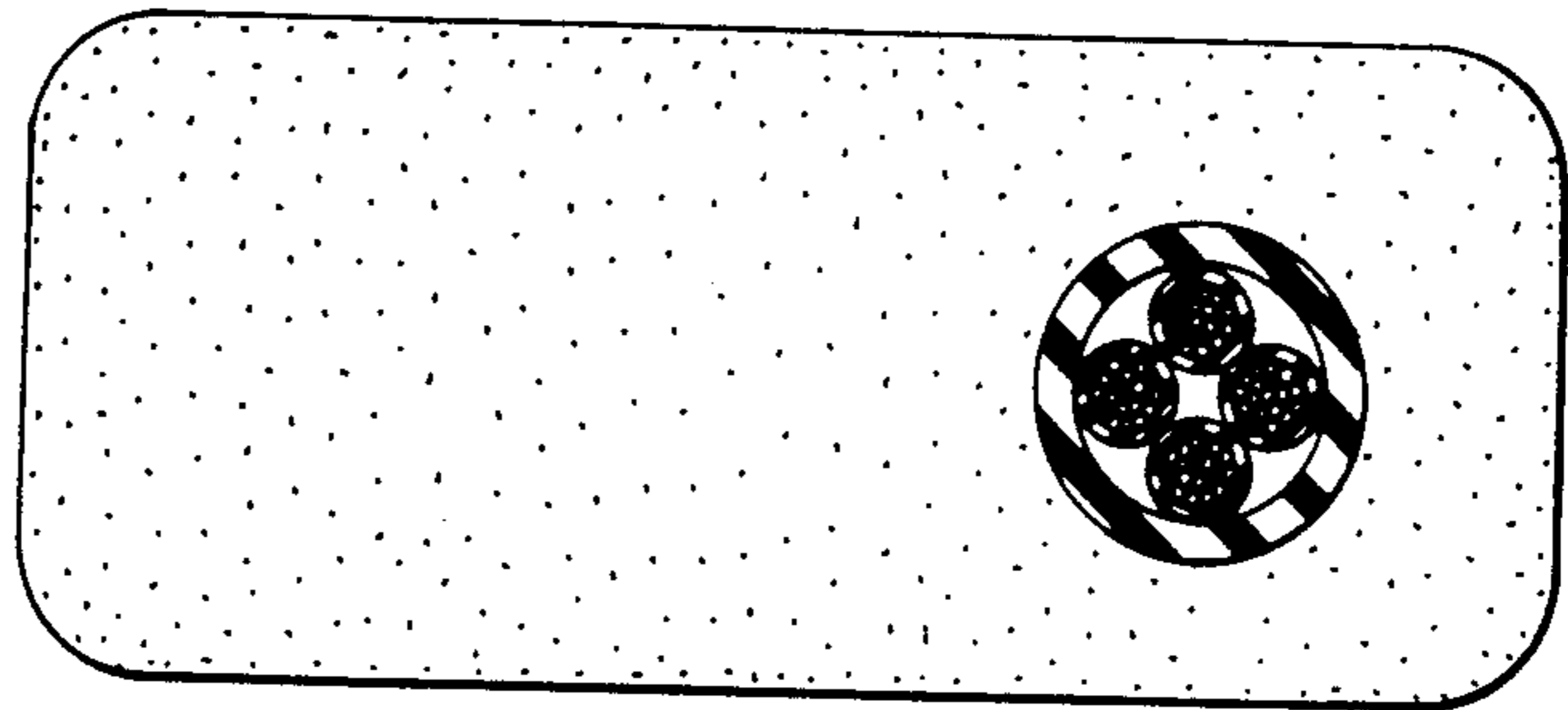
*Fig. 1*



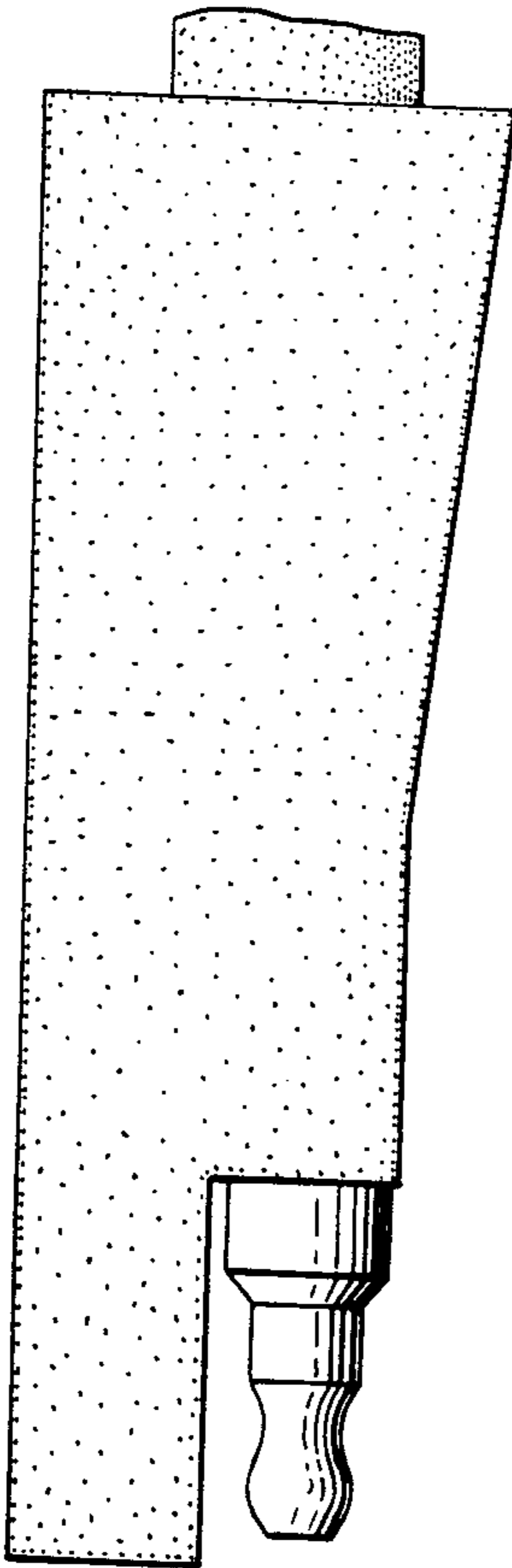
*Fig. 2*



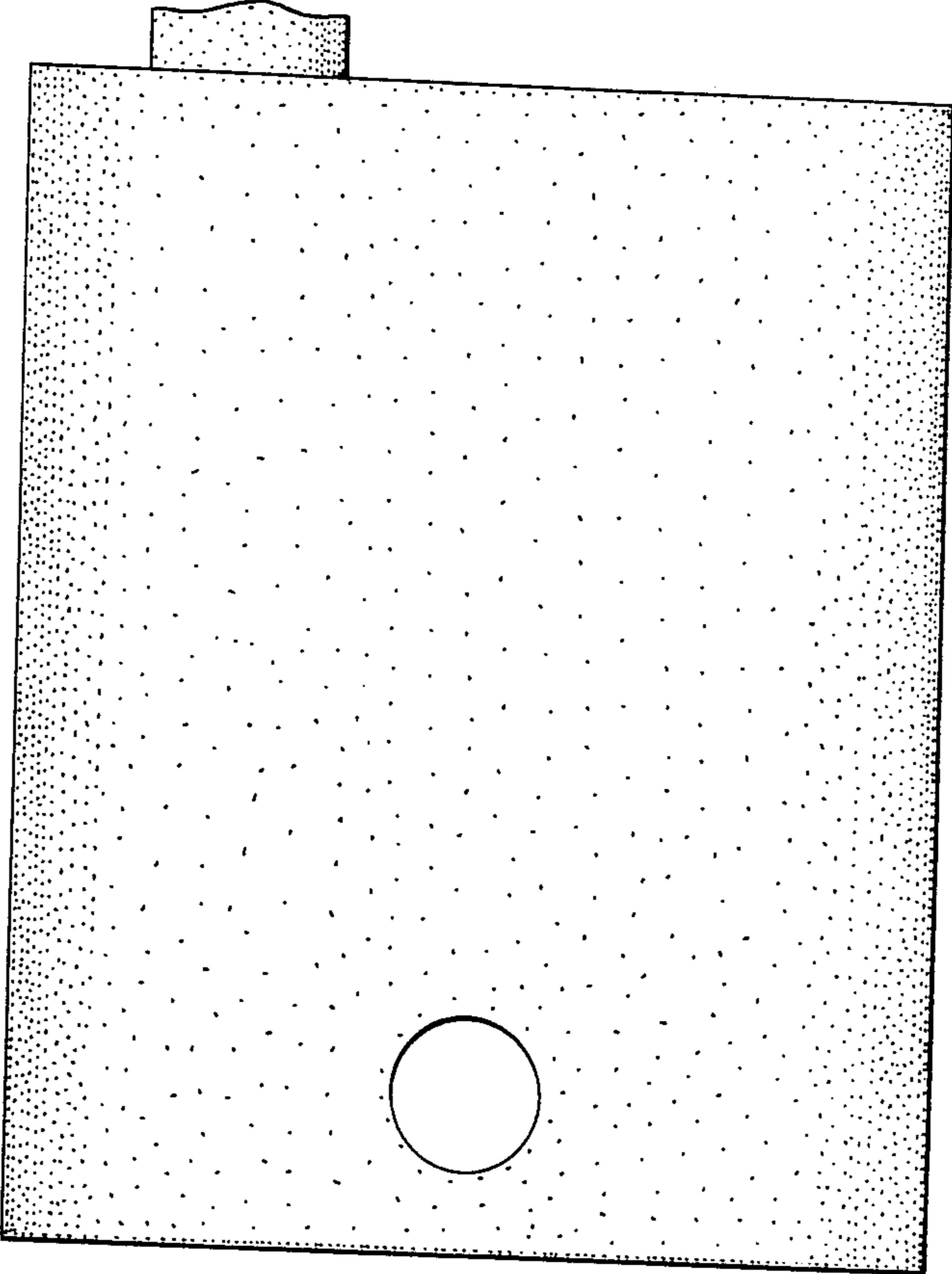
*Fig. 3*



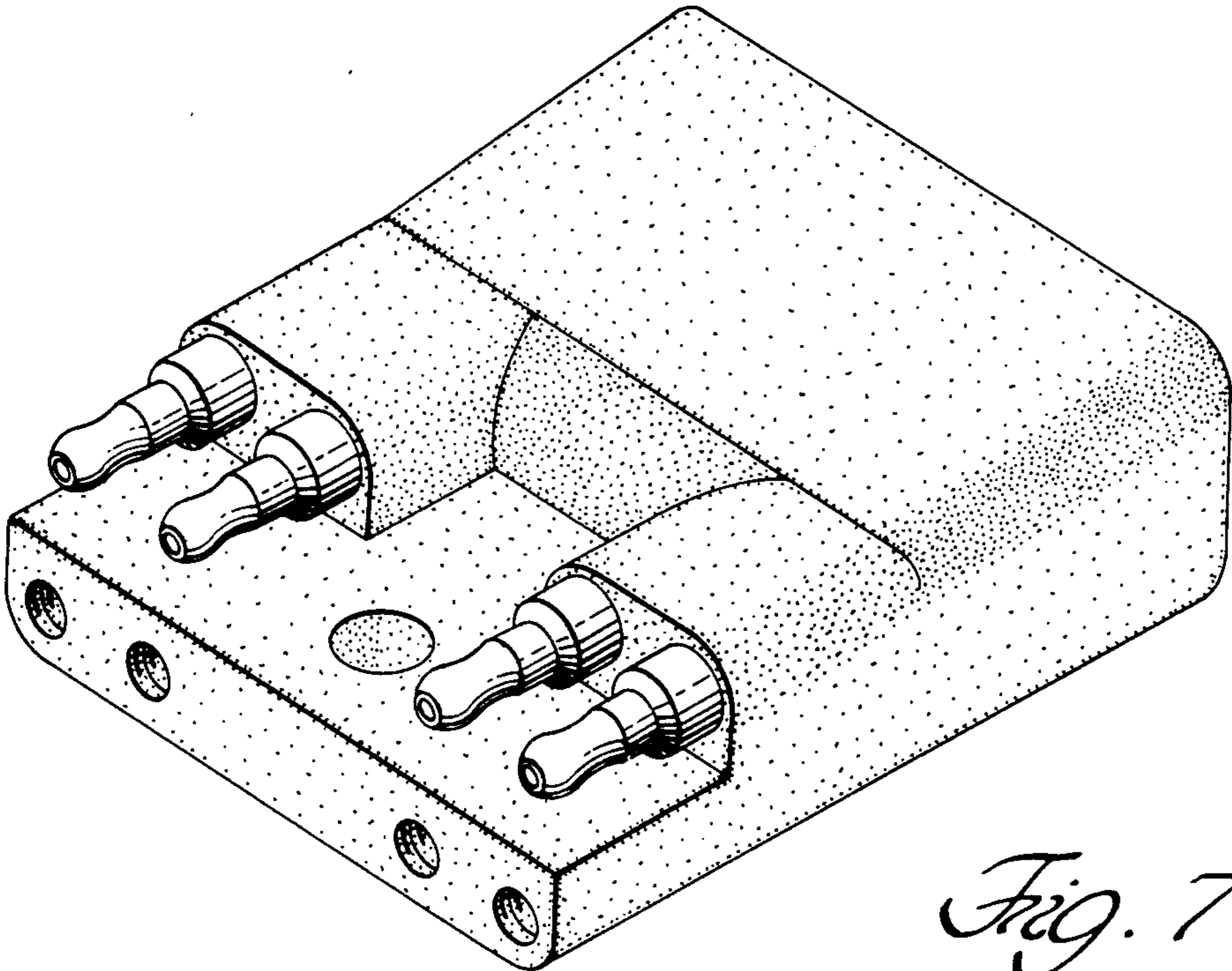
*Fig. 4*



*Fig. 5*



*Fig. 6*



*Fig. 7*