

[54] CAR RADIATOR GRILLE

[75] Inventor: Michel Tixier, Boulogne-Billancourt, France

[73] Assignee: Regie Nationale des Usines Renault, Boulogne-Billancourt, France

[**] Term: 14 Years

[21] Appl. No.: 597,719

[22] Filed: Jul. 21, 1975

[30] Foreign Application Priority Data

Feb. 20, 1975 [FR] France 73 636

[51] Int. Cl. D12-16

[52] U.S. Cl. D12/163

[58] Field of Search D12/171, 163, 166; 180/68 R, 68 P

[56] References Cited PUBLICATIONS

Austro Motor, 10/73, p. 535, Radiator Grille of Renault 6, center left side of page. Auto Car, 6/8/74, p. 45, Radiator Grille of Renault 16TX, bottom left side of page.

Primary Examiner—Wallace R. Burke Assistant Examiner—James M. Gandy Attorney, Agent, or Firm—Martin Fleit

[57] CLAIM

The ornamental design for a car radiator grille, as shown.

DESCRIPTION

FIG. 1 is a perspective view of a car radiator grille showing my new design; FIG. 2 is a greatly enlarged side elevational view thereof; FIG. 3 is a front elevational view thereof; FIG. 4 is a top plan view thereof on a slightly enlarged scale; FIG. 5 is an enlarged sectional view thereof taken along line 5-5 in FIG. 3; and FIG. 6 is an enlarged sectional view thereof taken along line 6-6 in FIG. 3.

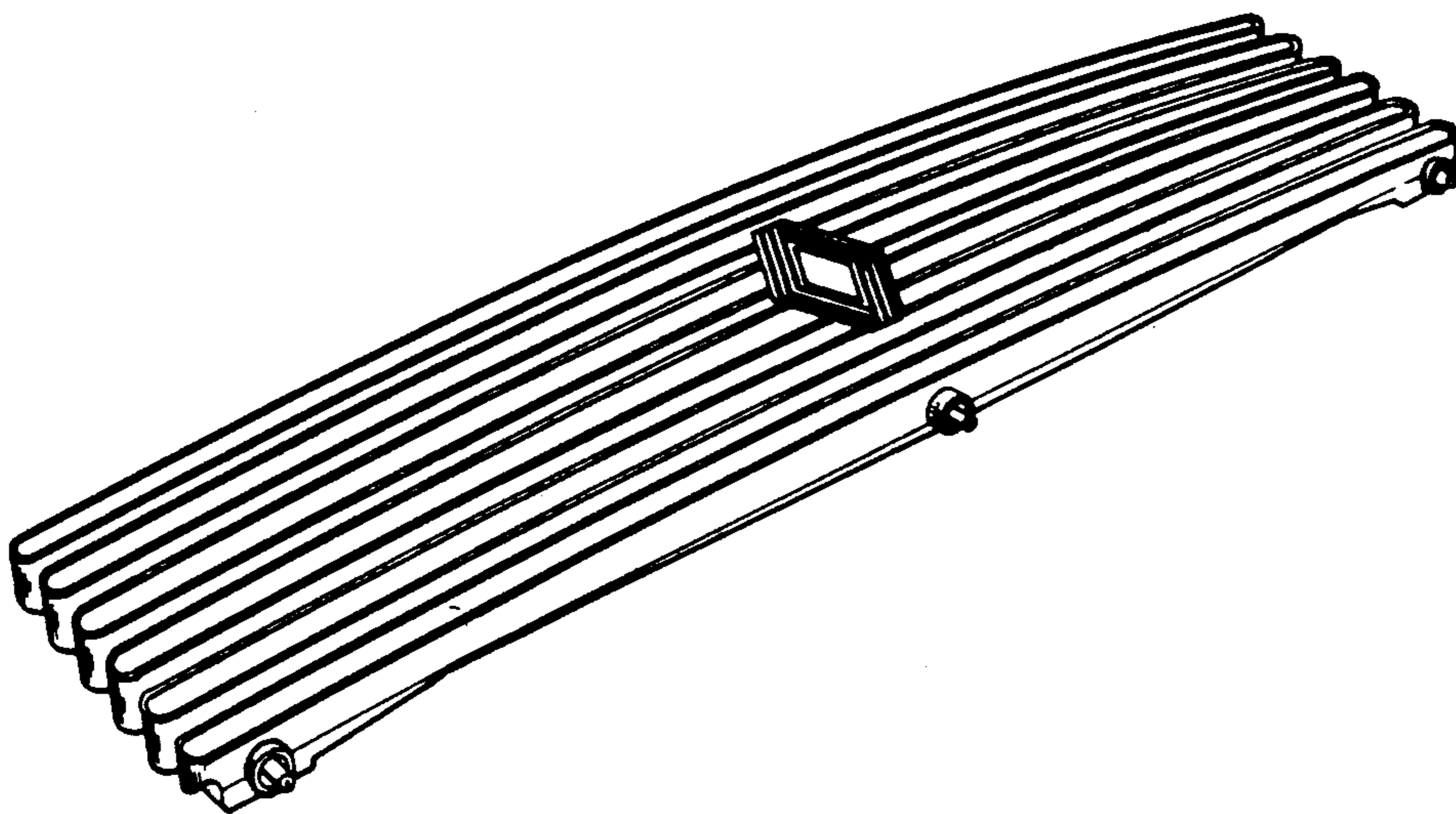


Fig-1

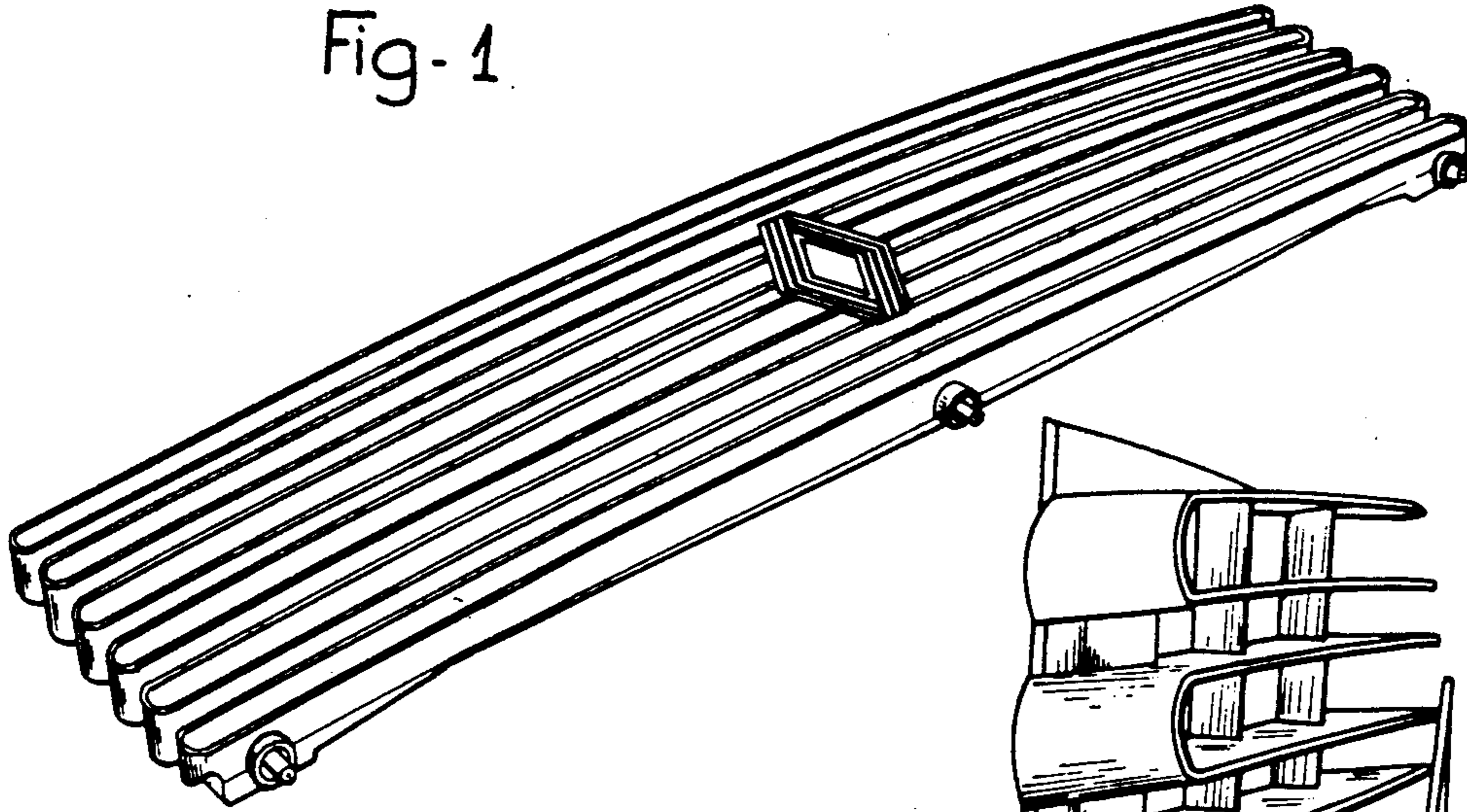


Fig-2

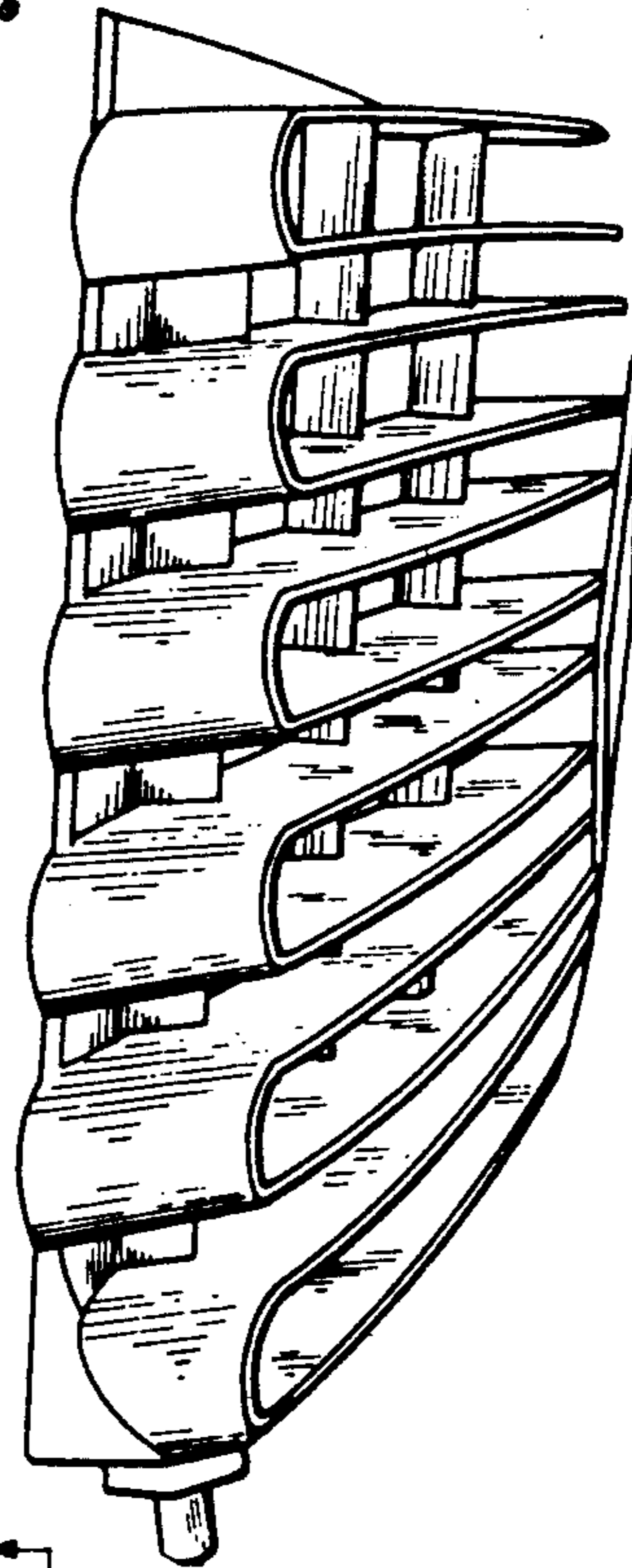


Fig-3

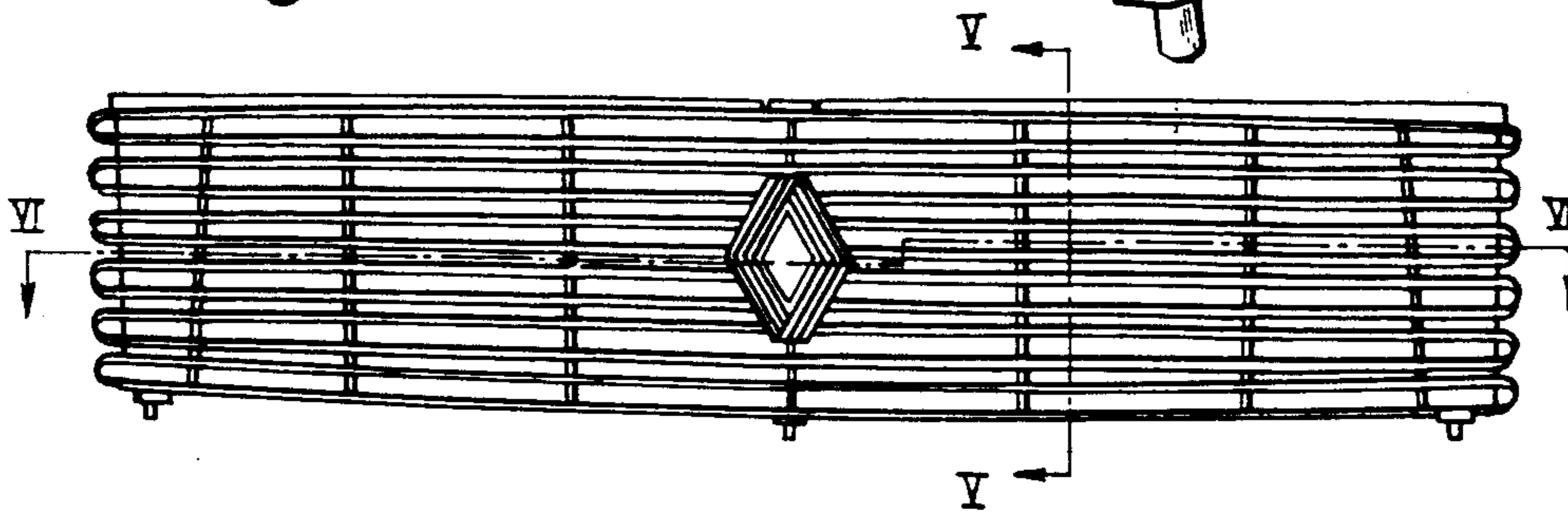


Fig-4



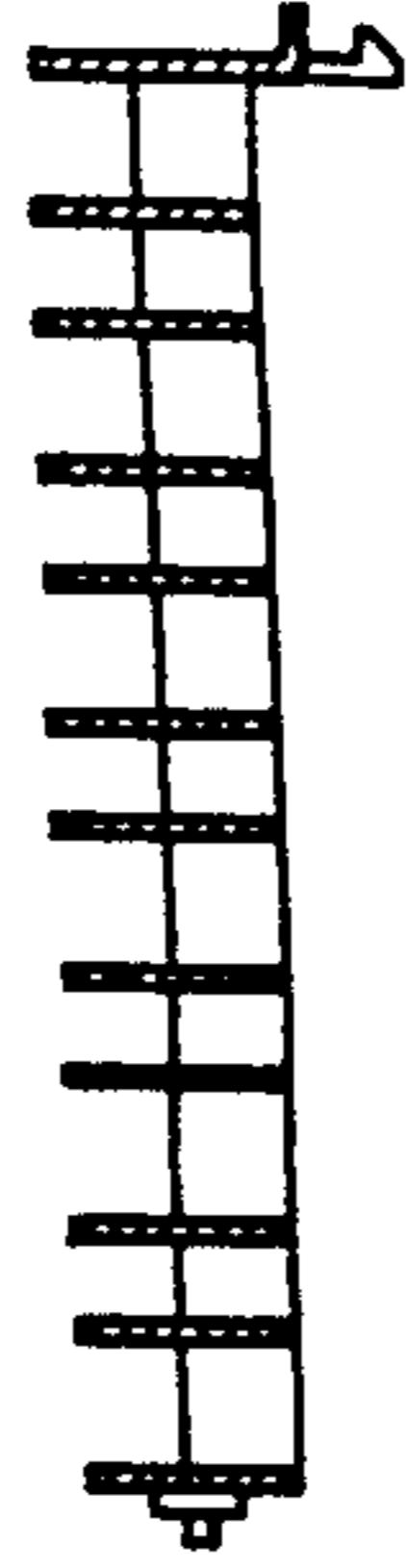


FIG. 5



FIG. 6