

[54] THREE PIECE CONVERTIBLE HARDTOP

[76] Inventor: John Slider, Box 43, Merrittstown, Pa. 15463

[**] Term: 14 Years

[21] Appl. No.: 669,913

[22] Filed: Mar. 24, 1976

[51] Int. Cl. D12-16

[52] U.S. Cl. D12/156

[58] Field of Search D12/156; 296/102, 137

[56] References Cited

U.S. PATENT DOCUMENTS

| | | | |
|-----------|---------|-----------------|-----------|
| 2,556,062 | 6/1951 | Buehrig | 296/137 B |
| 2,596,309 | 5/1952 | Urich | 296/137 B |
| 3,328,073 | 6/1967 | Einhorn | 296/136 |
| 3,348,877 | 10/1967 | Caramanna | 296/137 R |

FOREIGN PATENT DOCUMENTS

| | | | |
|-----------|---------|--------------|-----------|
| 1,428,569 | 1/1966 | France | 296/102 |
| 1,465,426 | 12/1966 | France | 296/137 R |

Primary Examiner—Wallace R. Burke
Assistant Examiner—James M. Gandy
Attorney, Agent, or Firm—William J. Ruano

[57] CLAIM

The ornamental design for a three piece convertible hardtop, as shown and described.

DESCRIPTION

FIG. 1 is a top perspective view of a three piece convertible hardtop showing my new design; and FIG. 2 is an exploded perspective view thereof on a reduced scale.

The side opposite to that shown in the drawing is substantially a mirror image of the side shown therein.

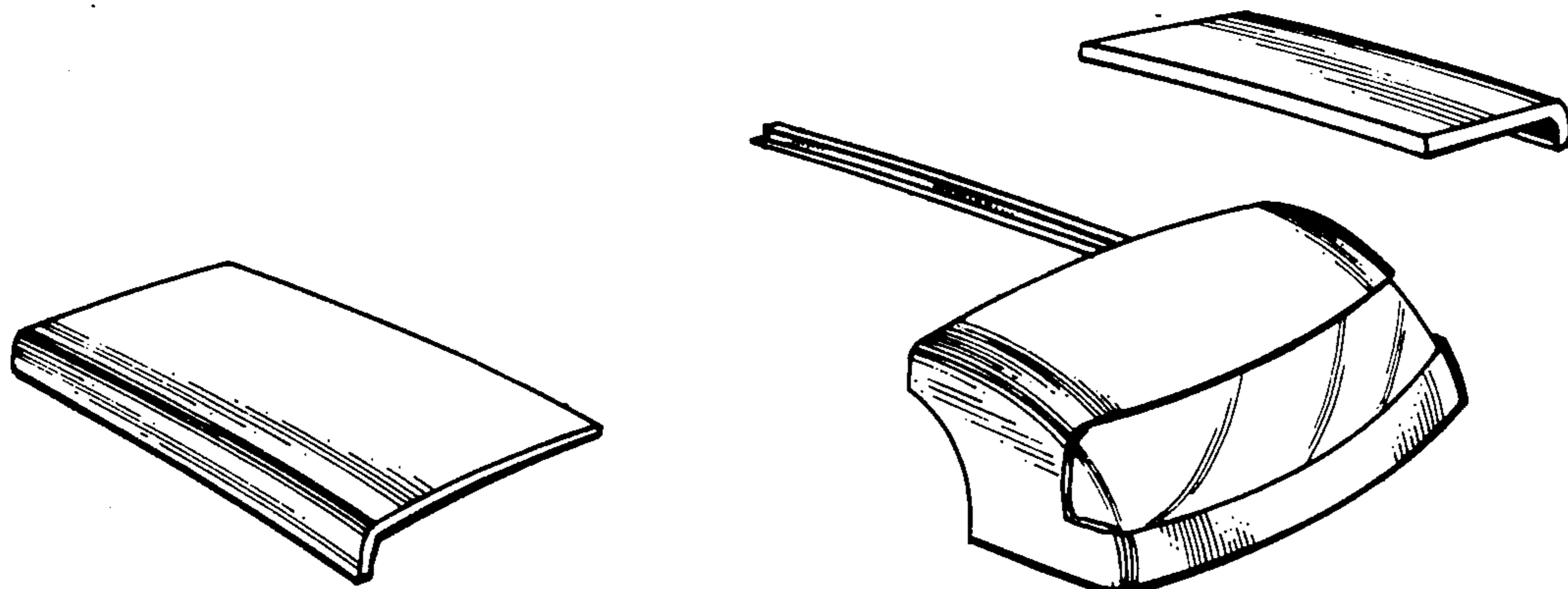


FIG. 1

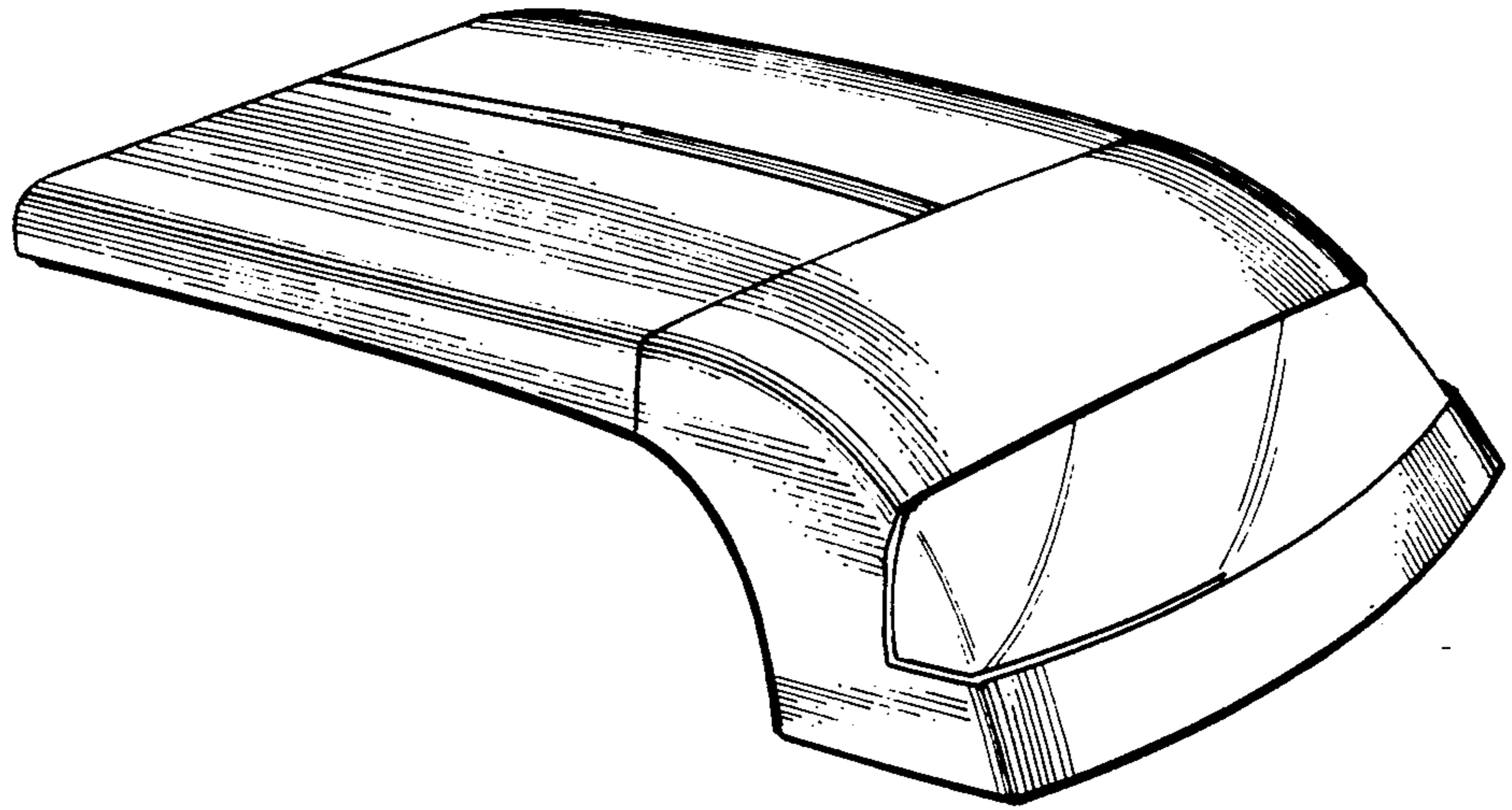


FIG. 2

