

[54] TRICYCLE  
[76] Inventor: George W. Morgan, 405 Riverdale Dr., Rocky River, Ohio 44116

[\*\*] Term: 14 Years

[21] Appl. No.: 824,250

[22] Filed: Aug. 12, 1977

[51] Int. Cl. .... D12-11

[52] U.S. Cl. .... D12/112

[58] Field of Search ..... D12/112; D34/15 AJ;  
280/267, 282, 261, 270

[56] References Cited

U.S. PATENT DOCUMENTS

D. 149,502 5/1948 Kartarik ..... D12/112

2,481,683	9/1949	Polacek .....	D12/112
2,789,831	4/1957	Verik .....	280/282
3,429,584	2/1969	Hendricks .....	280/282
3,960,392	6/1976	Read .....	280/282

FOREIGN PATENT DOCUMENTS

778,585 12/1934 France ..... 280/261

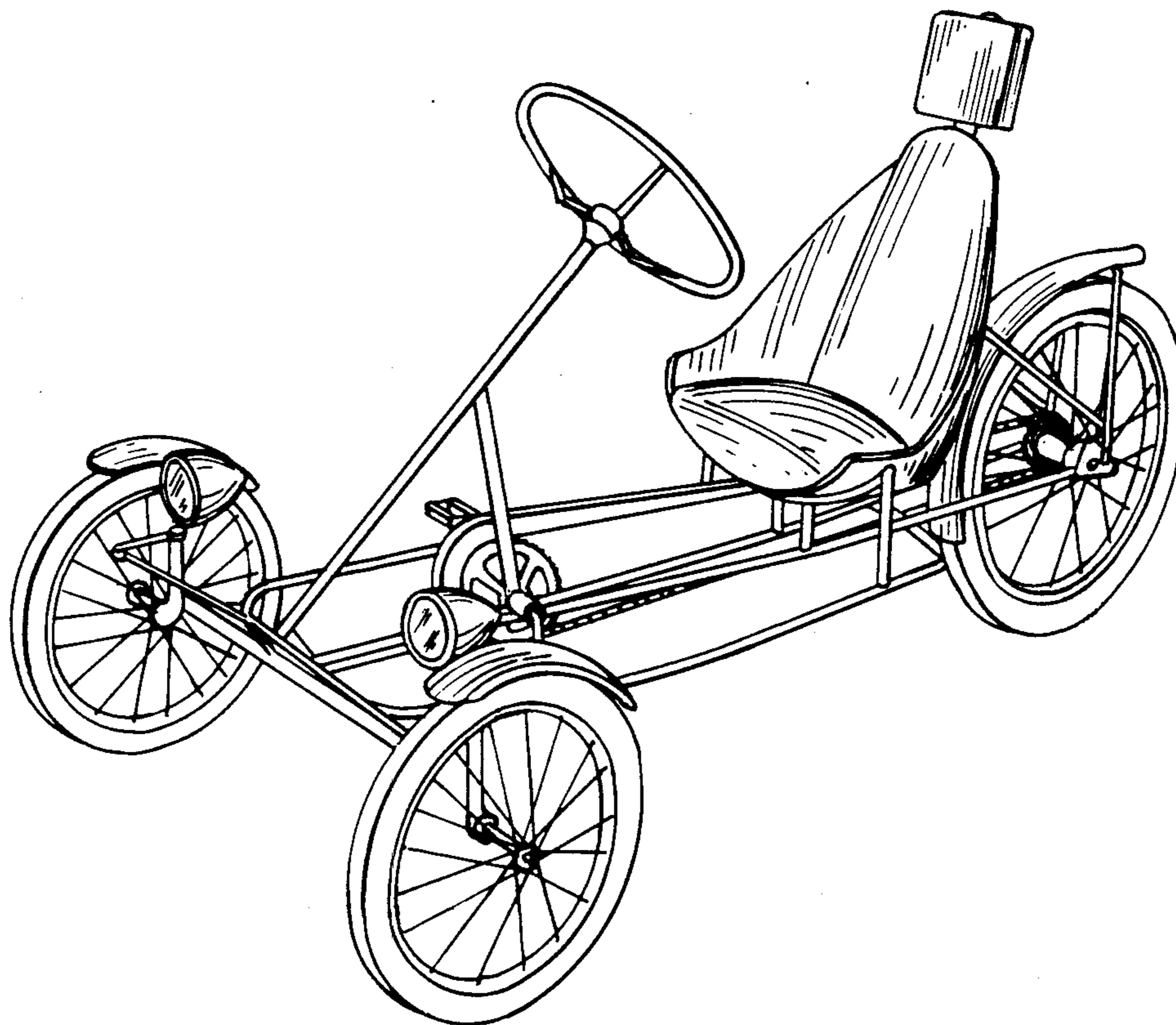
Primary Examiner—Wallace R. Burke  
Assistant Examiner—James M. Gandy  
Attorney, Agent, or Firm—George S. Baldwin

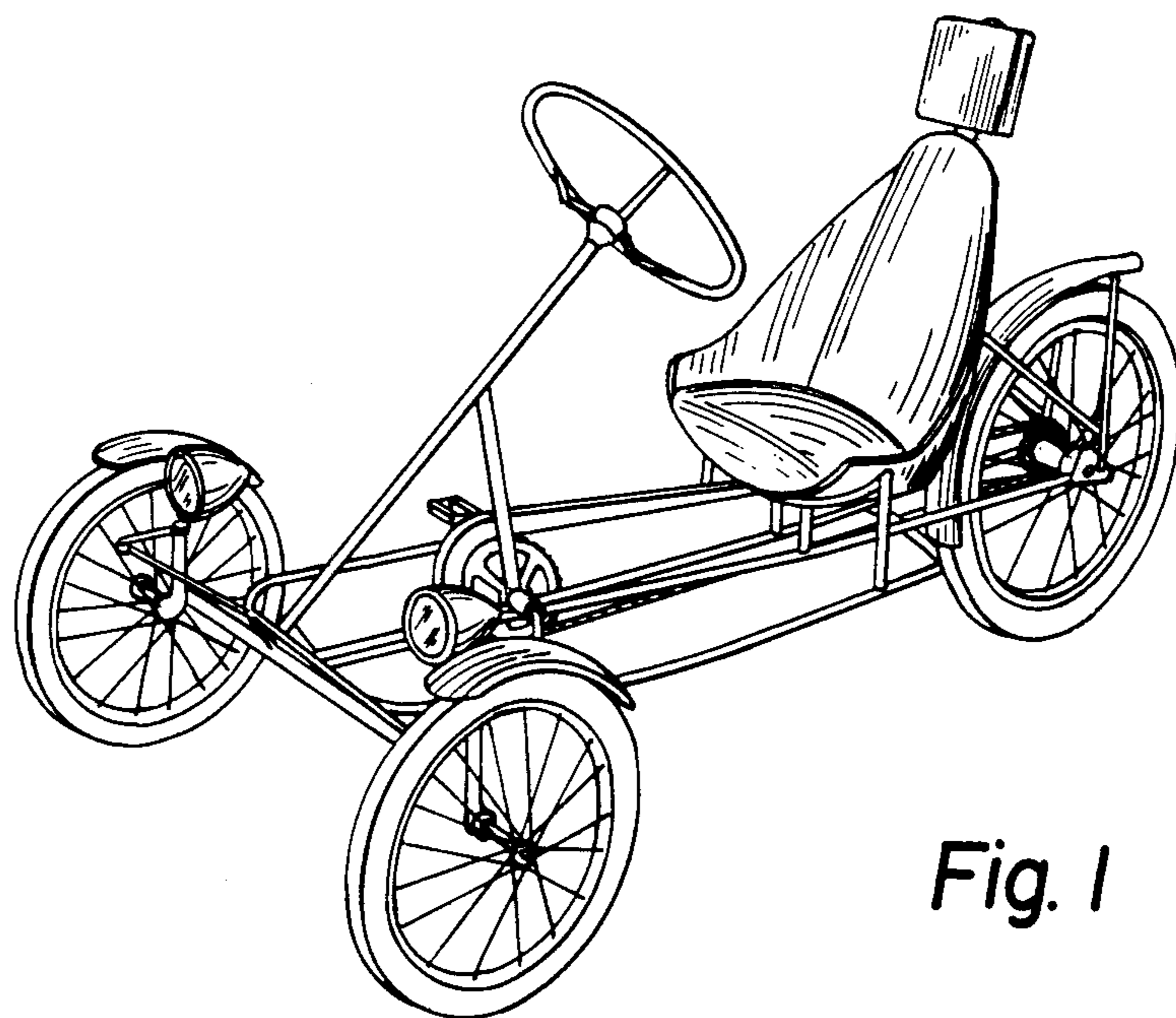
[57] CLAIM

The ornamental design for a tricycle, as shown.

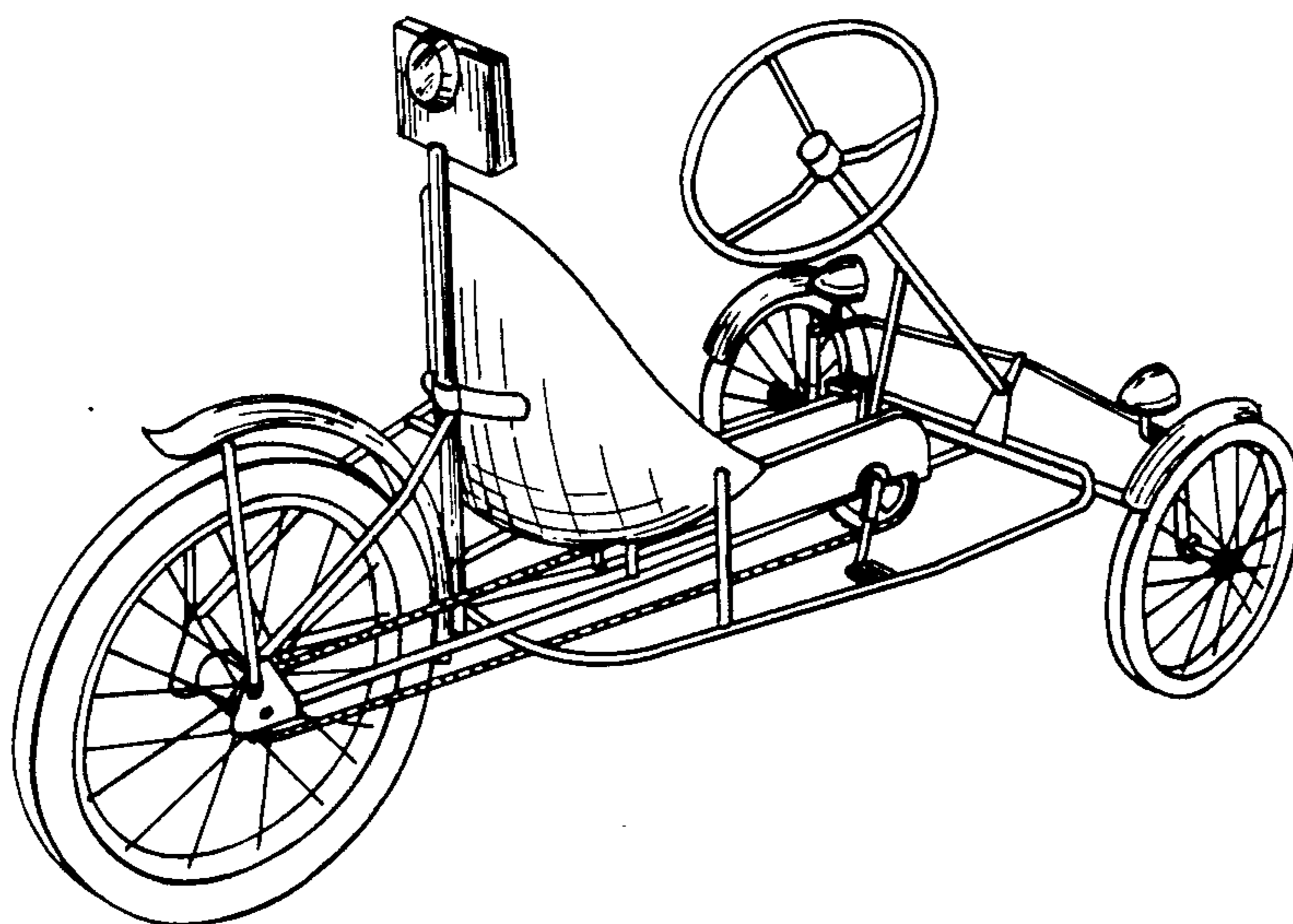
DESCRIPTION

FIG. 1 is a front perspective view of the tricycle showing my new design; and  
FIG. 2 is a rear perspective view thereof.





*Fig. 1*



*Fig. 2*