

[54] CARGO BOX LINER FOR PICKUP TRUCKS

[75] Inventors: Robert H. Lambitz, Linden; Robert J. Zefferio, Fenton, Mich.

[73] Assignee: Zefflamb Industries, Inc.

[\*\*] Term: 14 Years

[21] Appl. No.: 751,372

[22] Filed: Dec. 17, 1976

[51] Int. Cl. .... D12-16

[52] U.S. Cl. .... D12/98; D12/156

[58] Field of Search ..... D12/156, 98; 296/39 R, 296/24 R

[56] References Cited

U.S. PATENT DOCUMENTS

3,814,473 6/1974 Lorenzen, Jr. .... D12/156  
3,881,768 5/1975 Nix ..... D12/156

OTHER PUBLICATIONS

1974 Dodge Pickup Models Catalog, pp. 12 & 13, pickup truck bed & sidewalls.

Primary Examiner—Wallace R. Burke  
Assistant Examiner—James M. Gandy  
Attorney, Agent, or Firm—Charles W. Chandler

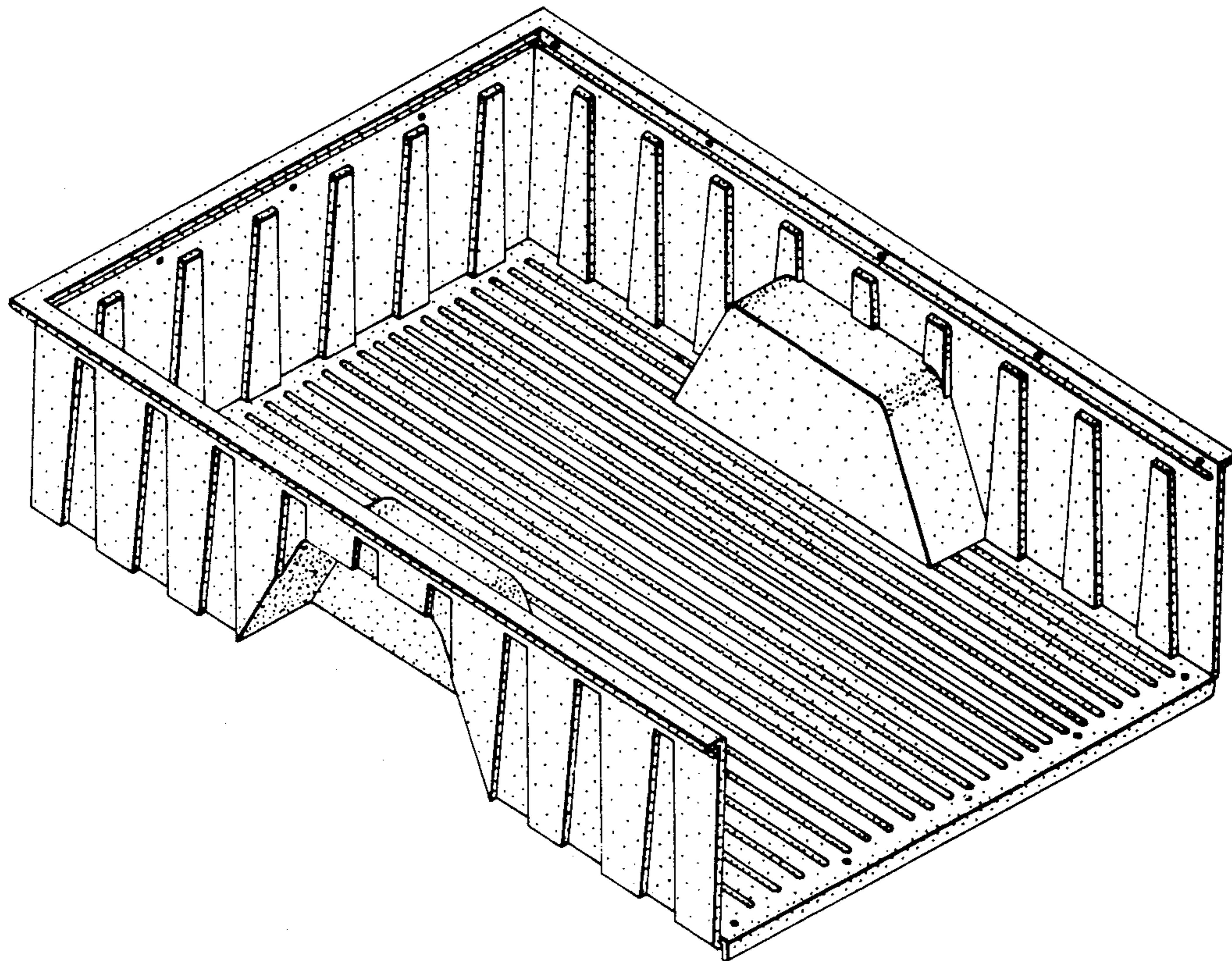
[57] CLAIM

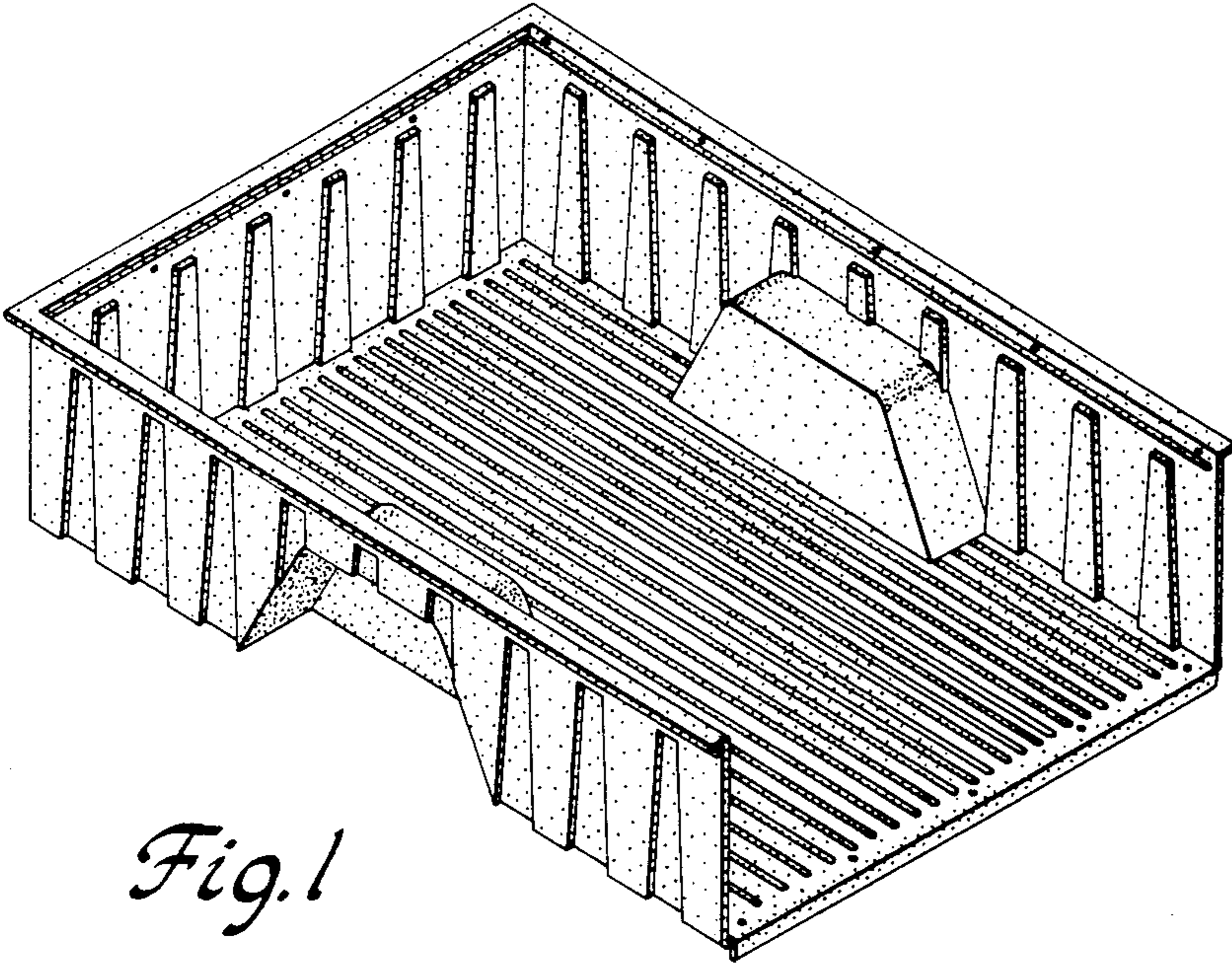
The ornamental design for a cargo box liner for pickup trucks, as shown and described.

DESCRIPTION

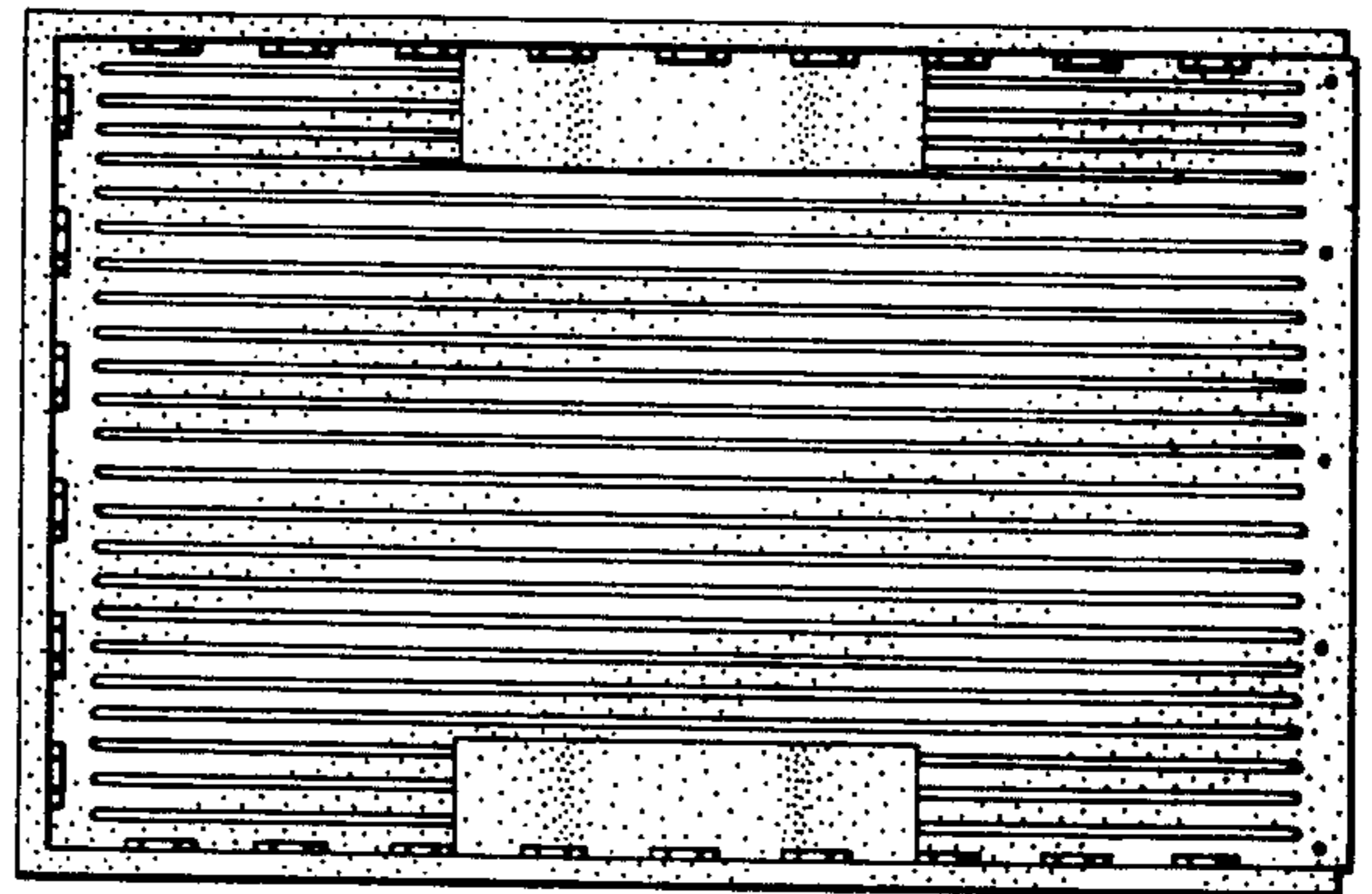
FIG. 1 is a perspective view of a cargo box liner for pickup trucks showing our new design;  
FIG. 2 is a top plan view thereof on a reduced scale;  
FIG. 3 is a side elevational view thereof on a reduced scale, the opposite side being a mirror image of the side shown herein;  
FIG. 4 is a bottom plan view thereof on a reduced scale;  
FIG. 5 is a front end elevational view thereof on a reduced scale; and  
FIG. 6 is a rear end elevational view thereof on a reduced scale.

The characteristic feature of our new design resides in the ribbed sidewall pattern in combination with the ribbed pattern shown on the bottom of said design.

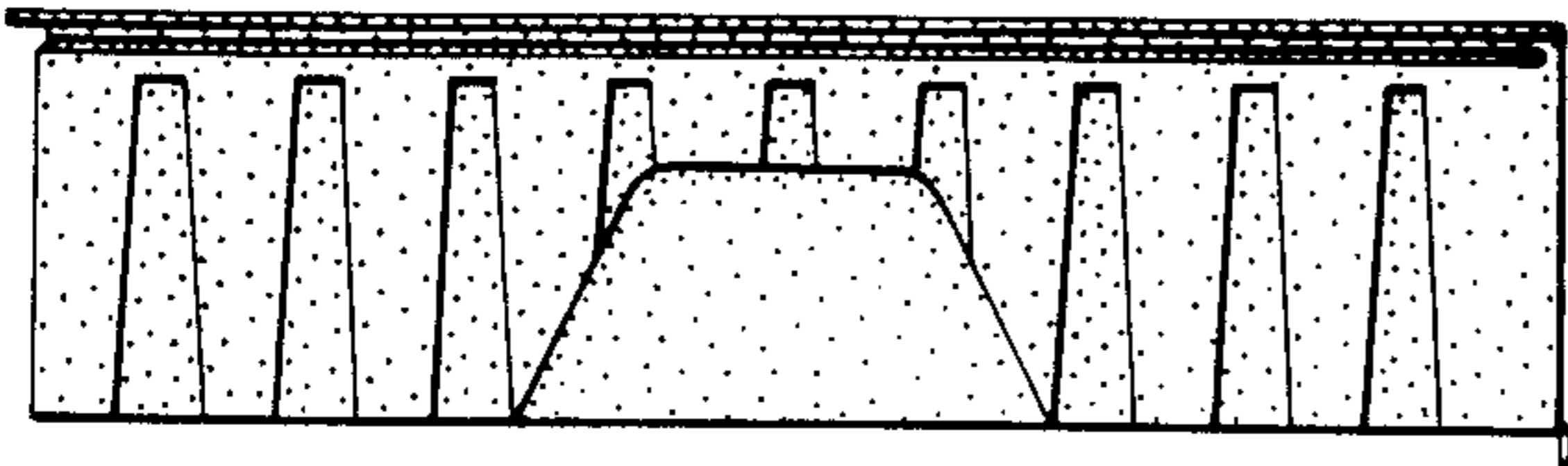




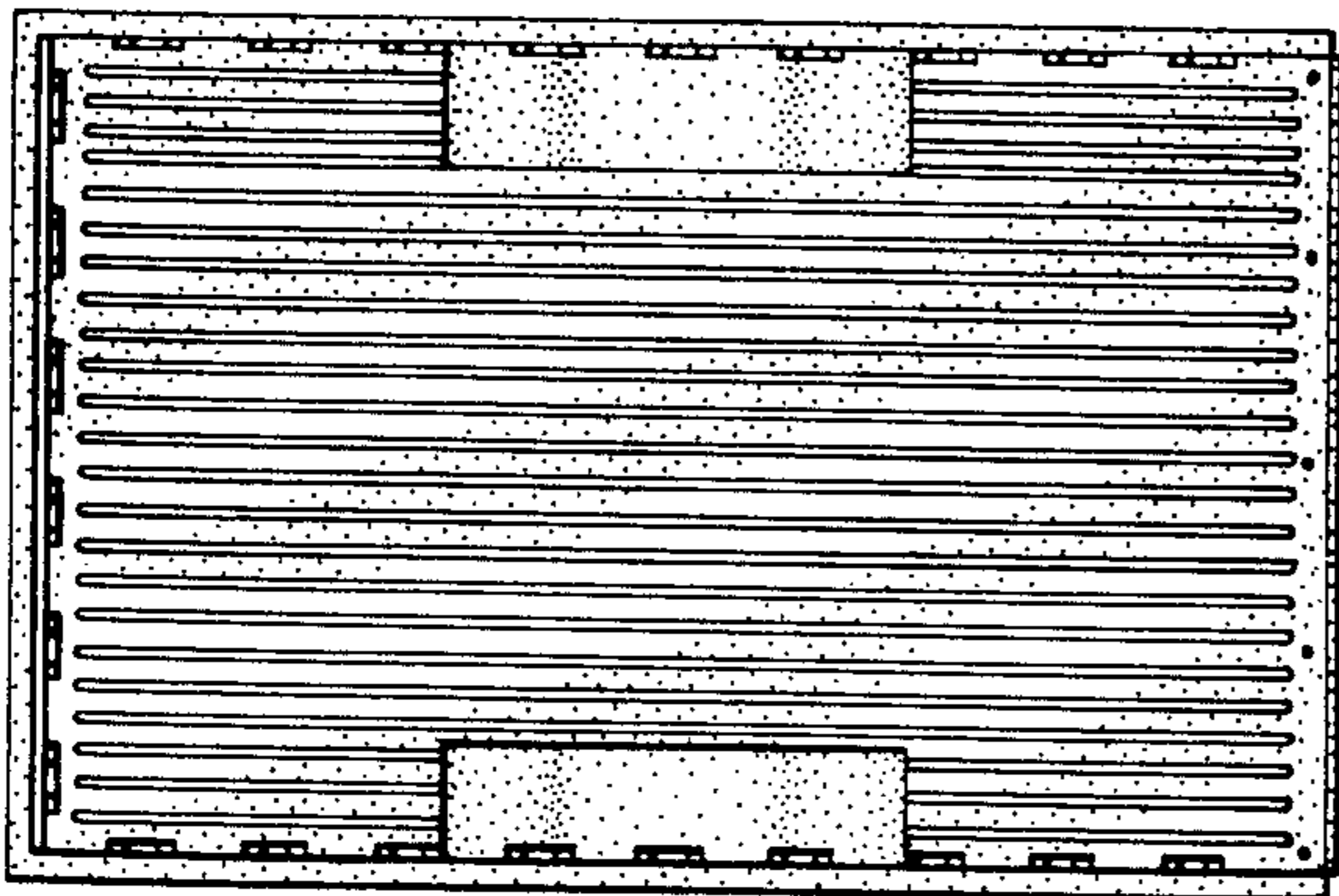
*Fig. 1*



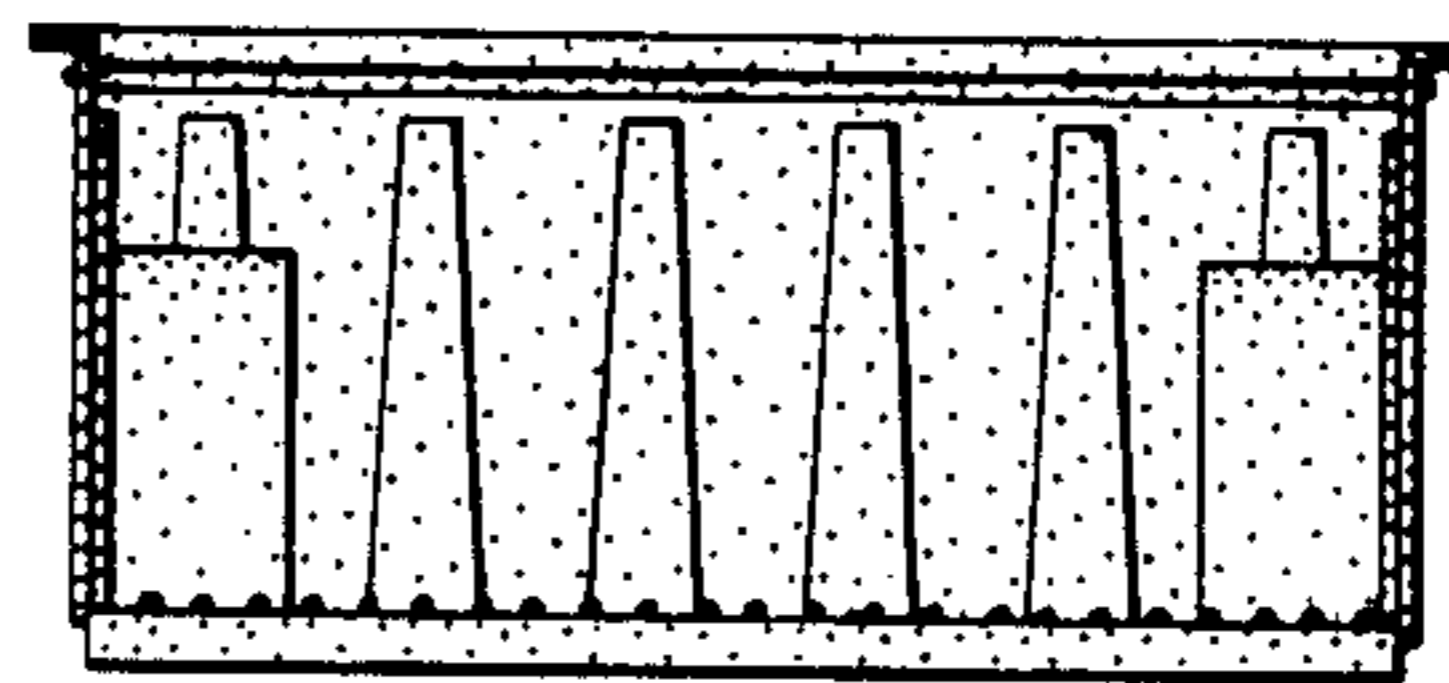
*Fig. 2*



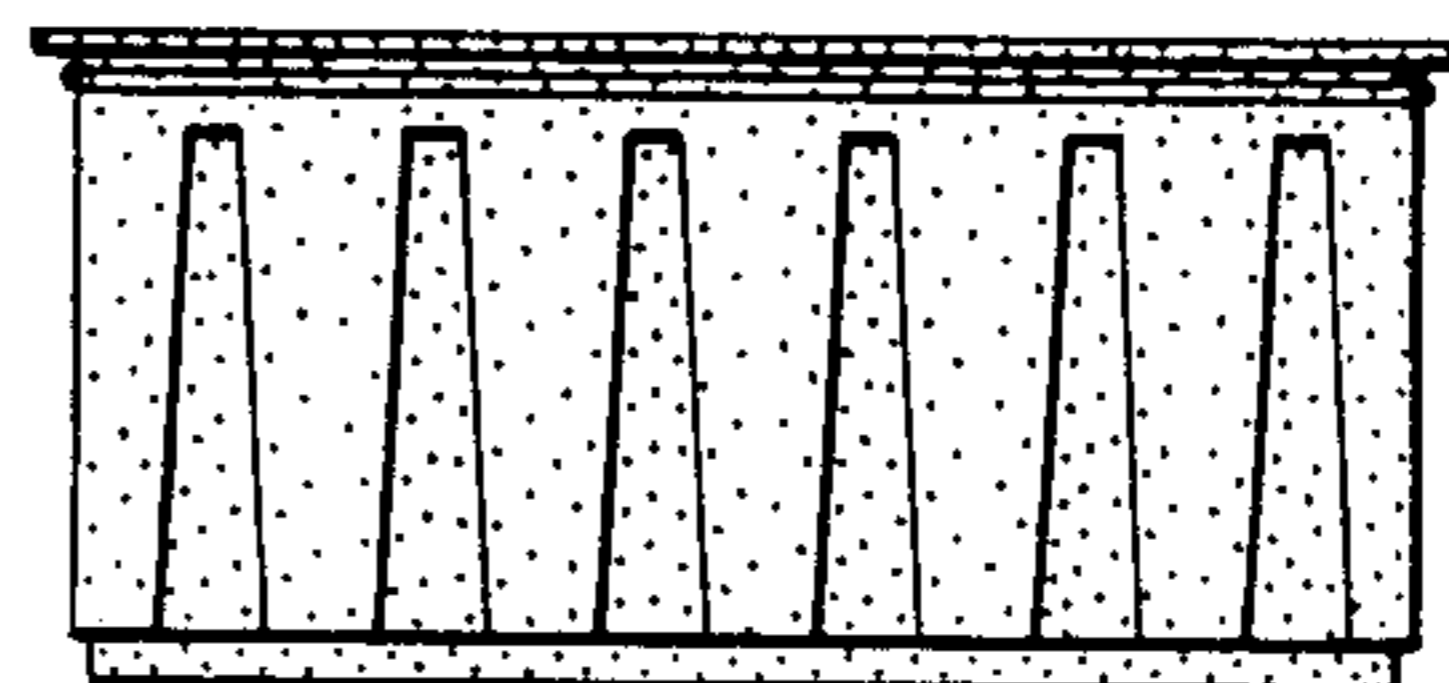
*Fig. 3*



*Fig. 4*



*Fig. 5*



*Fig. 6*