

[54] **DUAL BOWLING BALL CADDY**
 [76] Inventor: **Blanche A. Morley**, 3401 N. Franklin,
 Stockton, Calif. 95204
 [**] Term: **14 Years**
 [21] Appl. No.: **777,945**
 [22] Filed: **Mar. 2, 1977**
 [51] Int. Cl. **D12-02**
 [52] U.S. Cl. **D12/33**
 [58] Field of Search **D87/1 R, 5 R, 5 D;**
D12/33, 32, 34, 23; 280/10, 79.1, 79.2, 47.17,
47.19, 47.24, 47.13 R, 47.37; 190/18 A

[56] **References Cited**
U.S. PATENT DOCUMENTS
 D. 125,988 3/1941 Anderson **D87/5 D**
 D. 157,597 3/1950 Huber **D12/34**
 2,984,499 5/1961 Humphrey **D12/32**
 3,830,514 8/1974 Green **280/47.19**

3,873,119 3/1975 Koch **D12/34**
 3,934,895 1/1976 Fox **190/18 A**
 4,066,156 1/1978 Basile **D87/5 D**

Primary Examiner—Joel Stearman
Assistant Examiner—George P. Word
Attorney, Agent, or Firm—Elton H. Brown, Jr.

[57] **CLAIM**

The ornamental design for a dual bowling ball caddy, substantially as shown and described.

DESCRIPTION

FIG. 1 is a top plan view of a dual bowling ball caddy showing my new design with the covers in open positions;
 FIG. 2 is a left side elevational view thereof with the covers in closed positions;
 FIG. 3 is a front elevational view thereof;
 FIG. 4 is a right side elevational view thereof;
 FIG. 5 is a bottom plan view thereof; and
 FIG. 6 is a top plan view thereof.

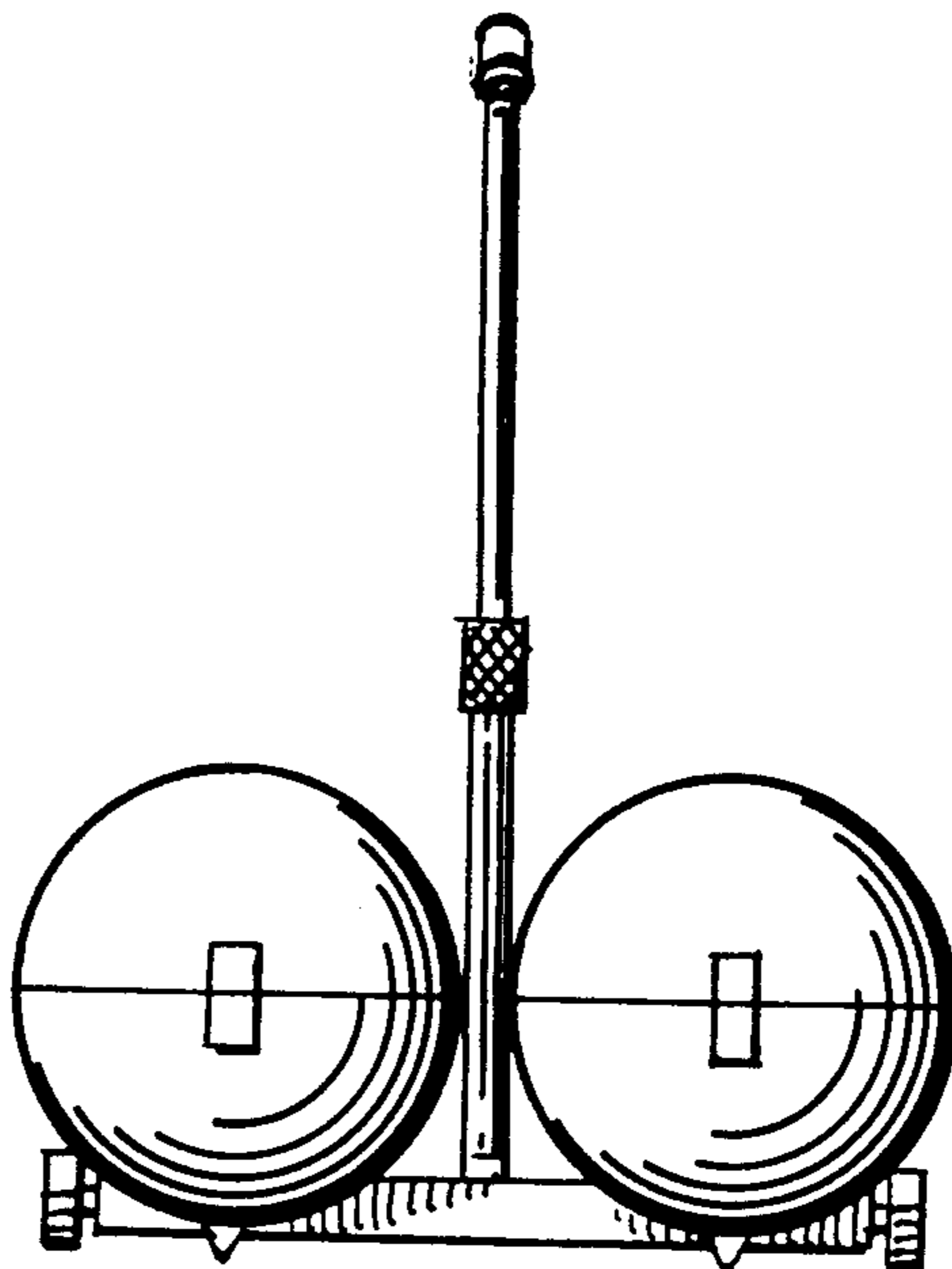
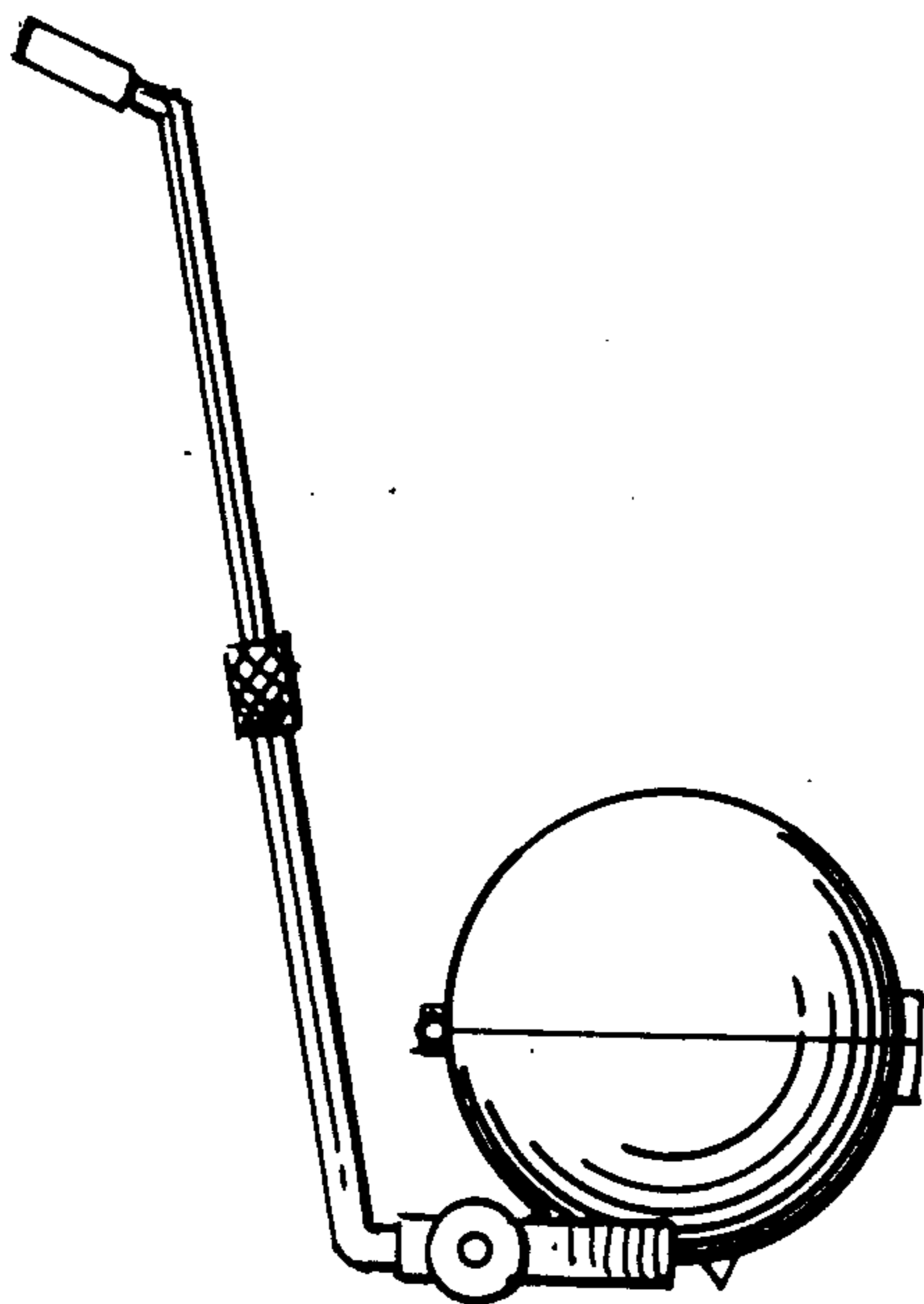


FIG. 1.

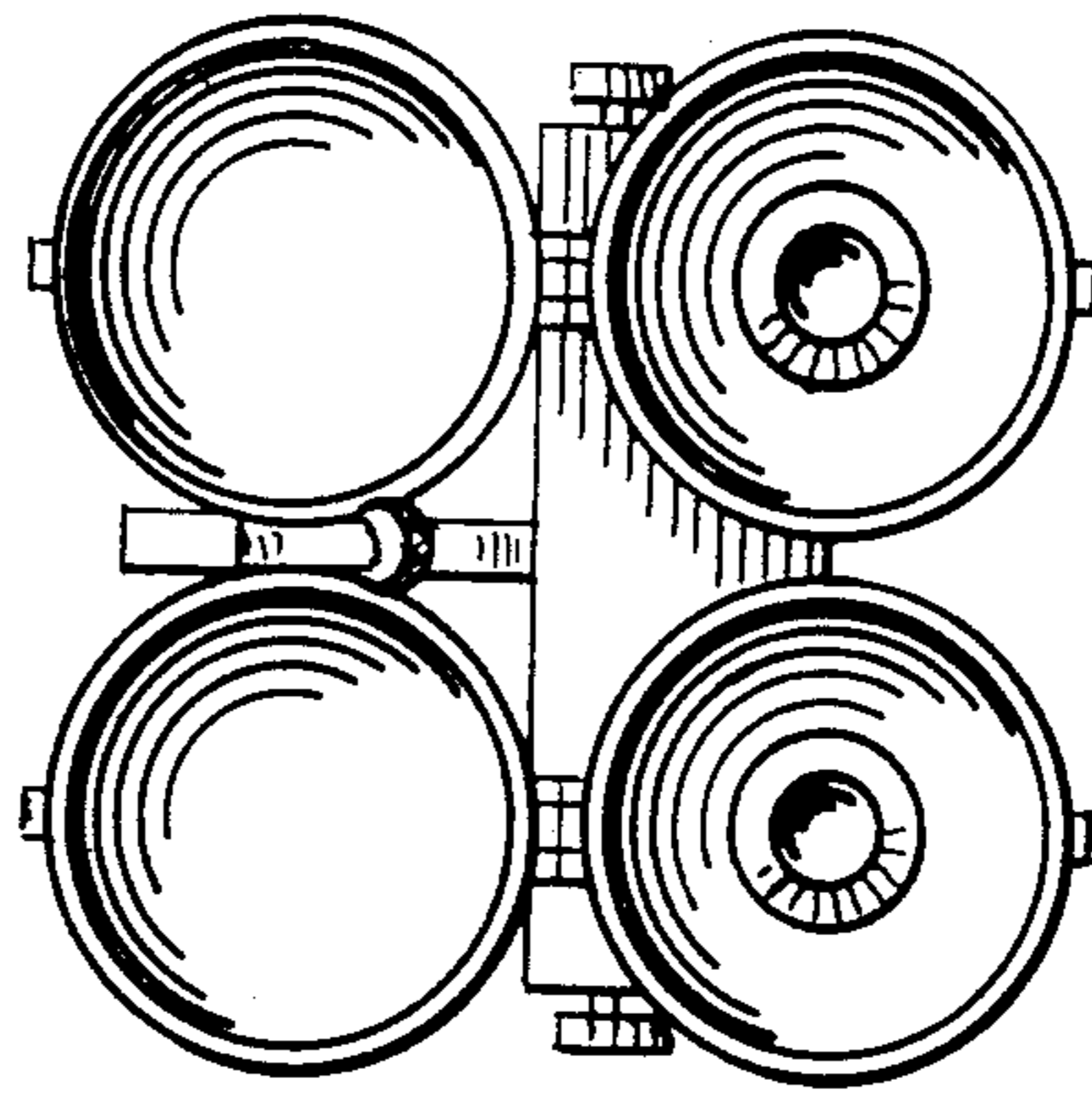


FIG. 2.

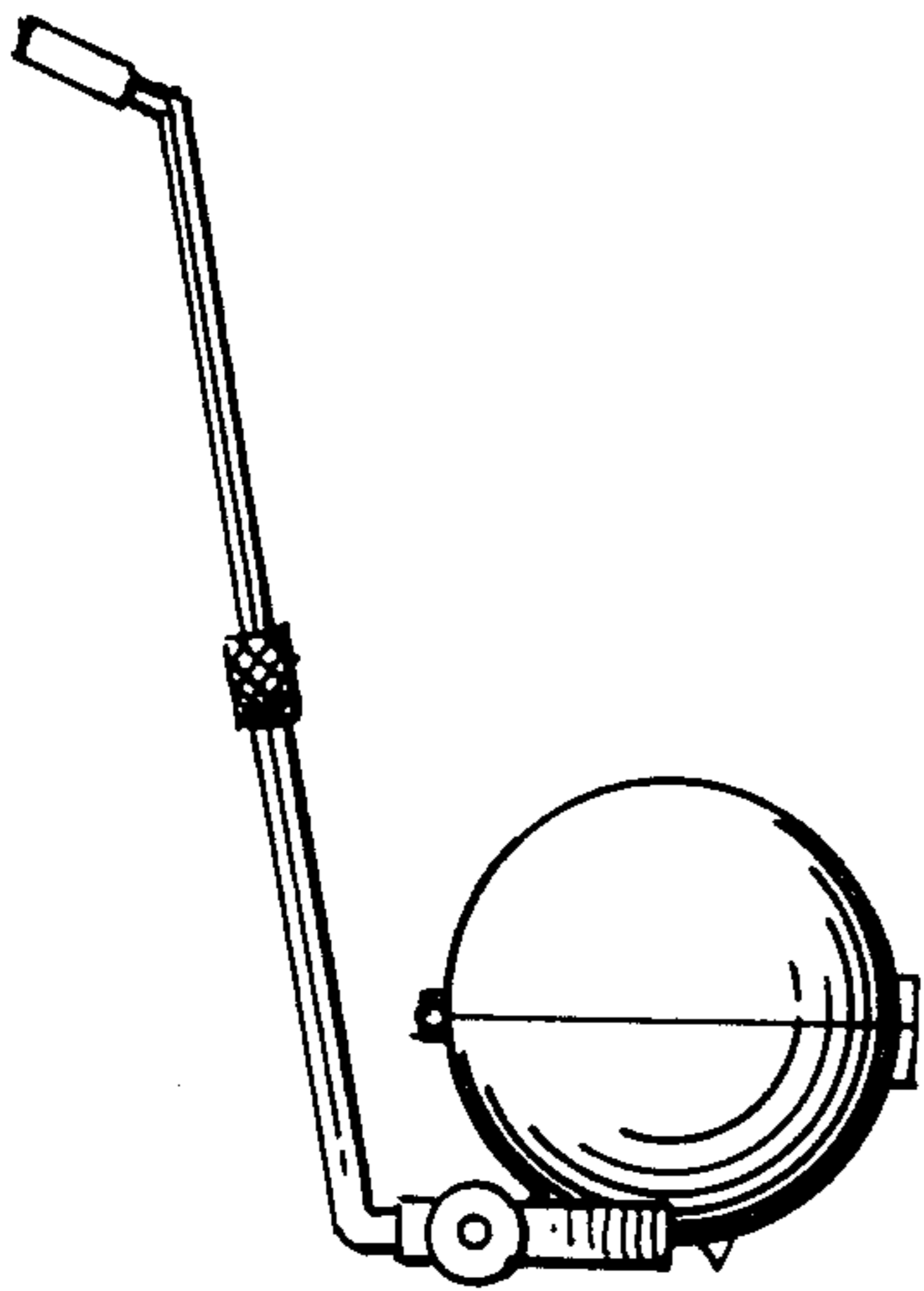


FIG. 3.

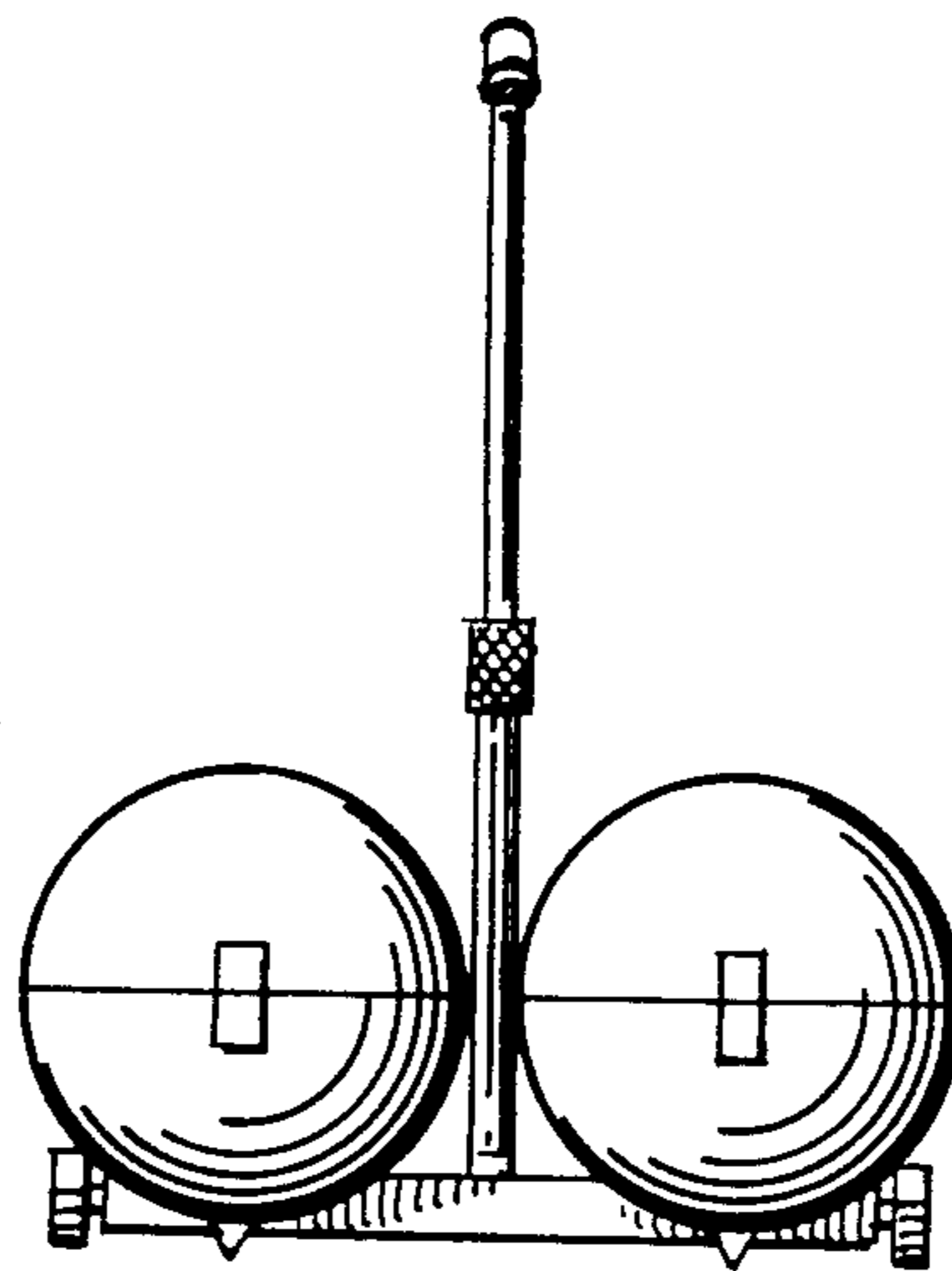


FIG. 4.

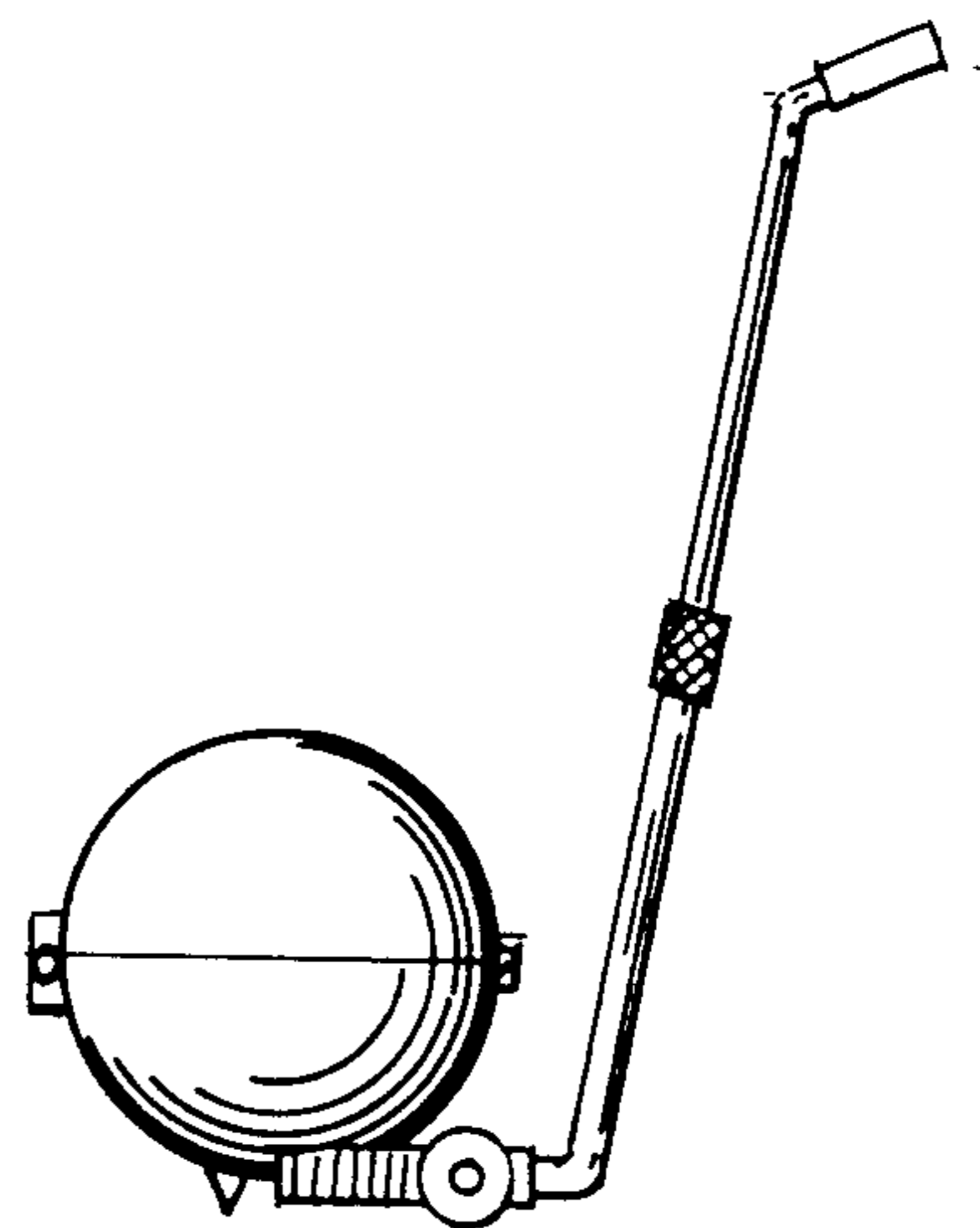


FIG. 5.

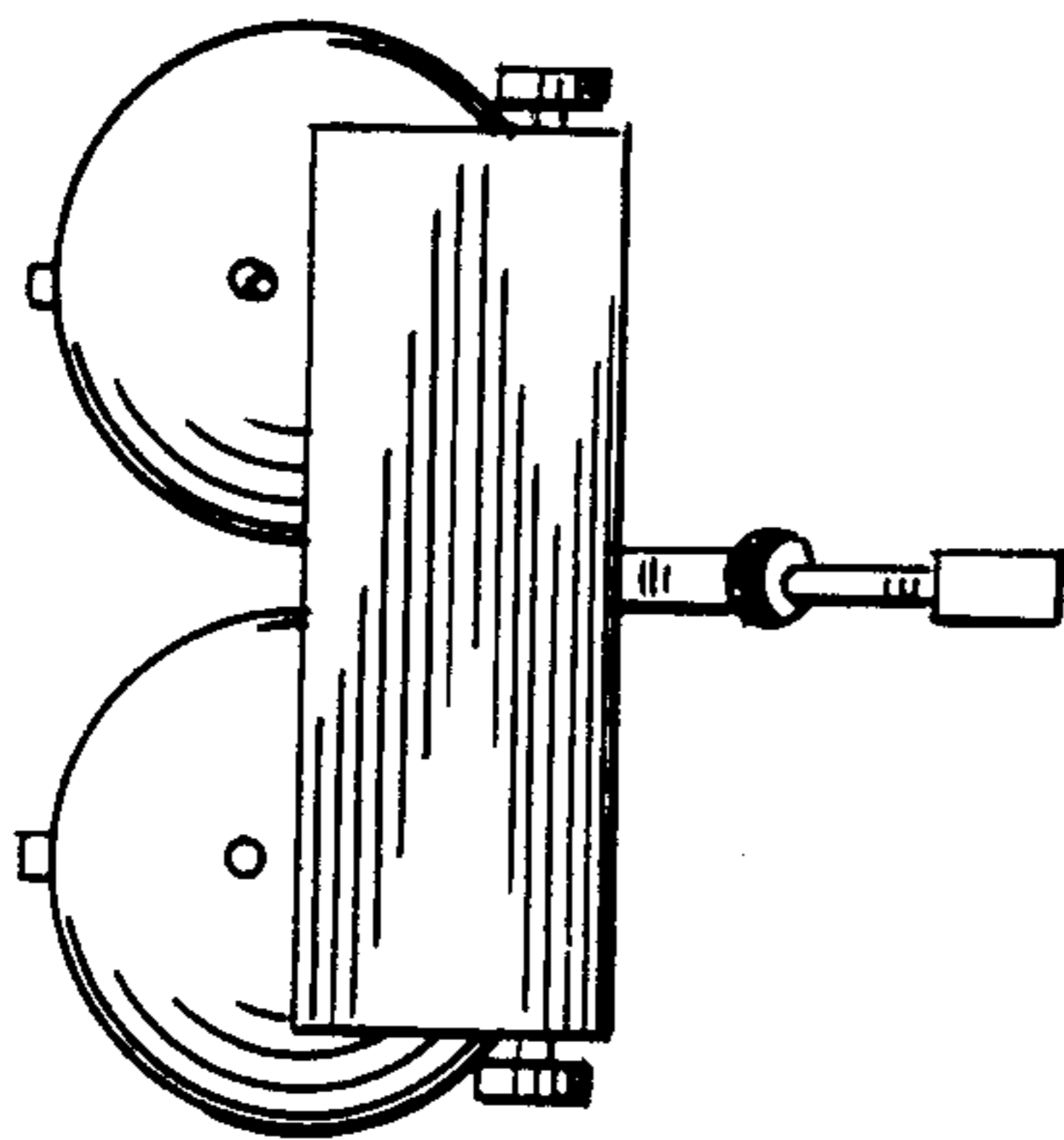


FIG. 6.

