

[54] BENCH SHOOTER FIGURINE

[76] Inventor: Owen R. Siegel, 1517 Basswood Dr., Glenview, Ill. 60025

[**] Term: 7 Years

[21] Appl. No.: 685,276

[22] Filed: May 11, 1976

[51] Int. Cl. D11-02

[52] U.S. Cl. D11/160; D11/73

[58] Field of Search D11/44, 53, 81, 83, D11/99, 101, 105, 157, 160, 48, 73; 428/15, 16

[56] References Cited
PUBLICATIONS

Dodge, Inc., Trophies ©1955, p. 42-Army Rifle Kneeling Figure 2nd column, 2nd row.

Trophies by American Trophies, Inc., rec'd 6/23/1965, back cover-Army Rifle Kneeling Figure at center.

Primary Examiner-Joel Stearman

Assistant Examiner-Louis S. Zarfes

Attorney, Agent, or Firm-Don B. Finkelstein

[57] CLAIM

The ornamental design for a bench shooter figurine, as shown.

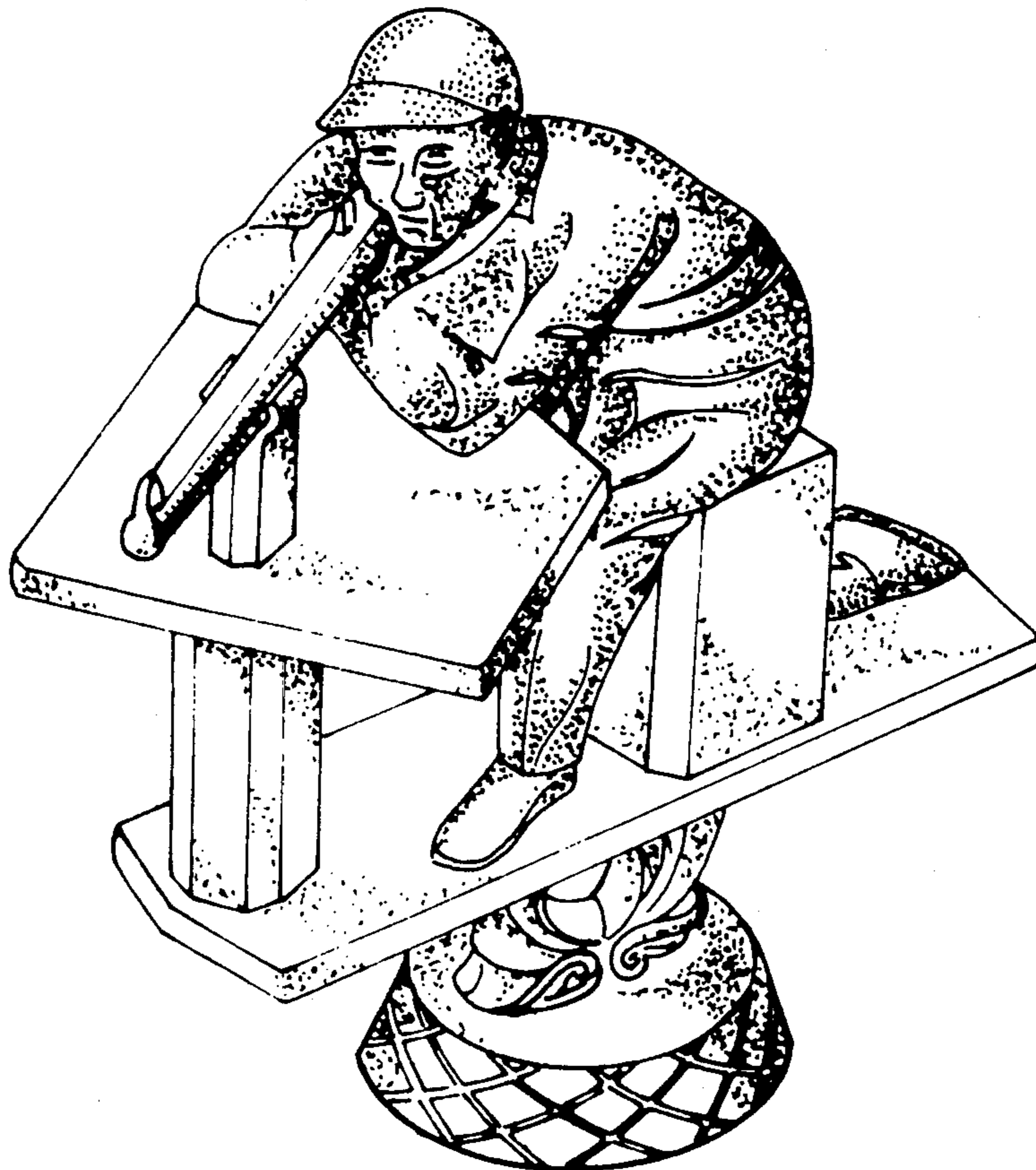
DESCRIPTION

FIG. 1 is a perspective view of a bench shooter figurine showing my new design;

FIG. 2 is a back elevational view thereof;

FIG. 3 is a left side elevational view thereof; and

FIG. 4 is a bottom plan view thereof.



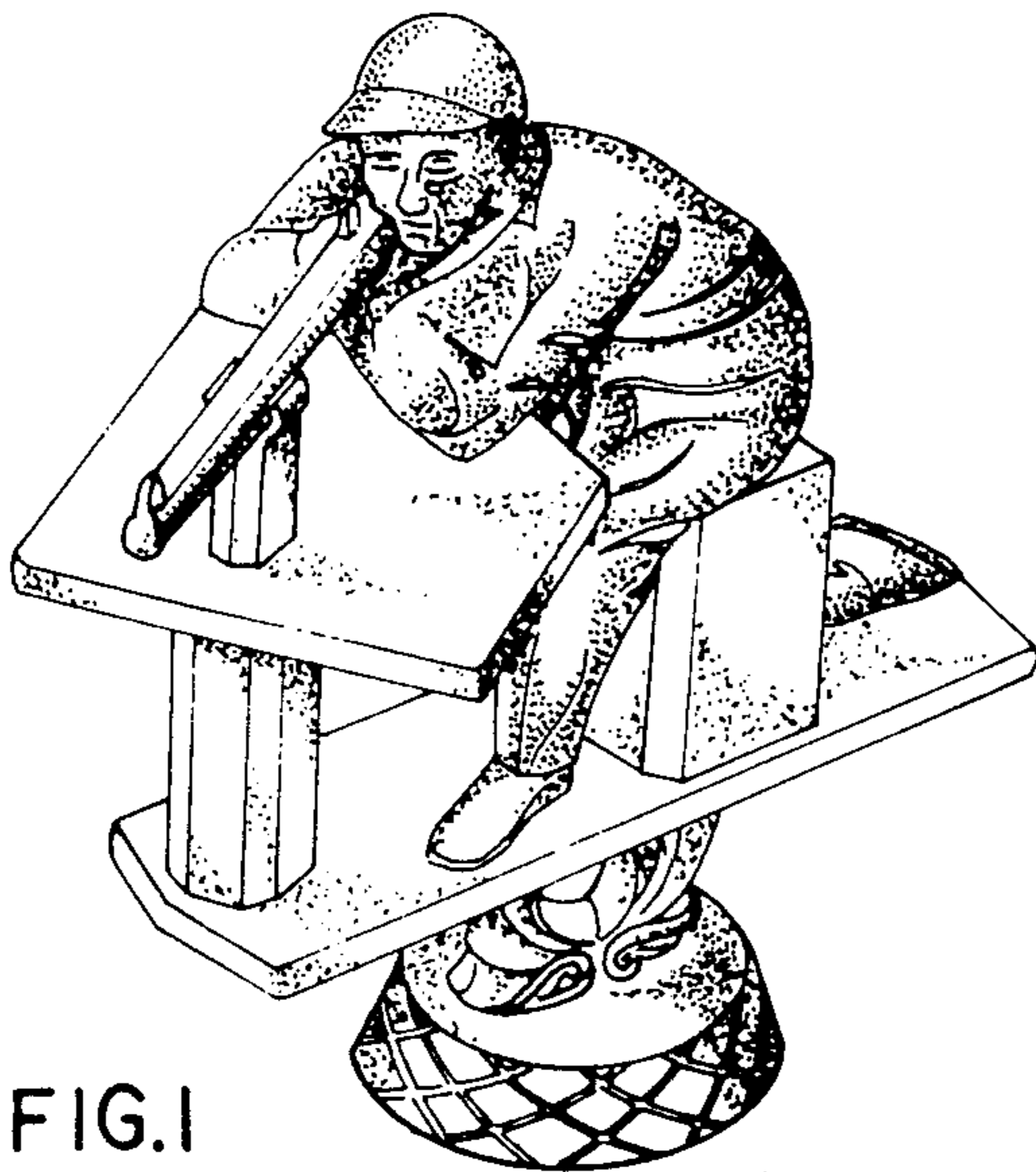


FIG. 1

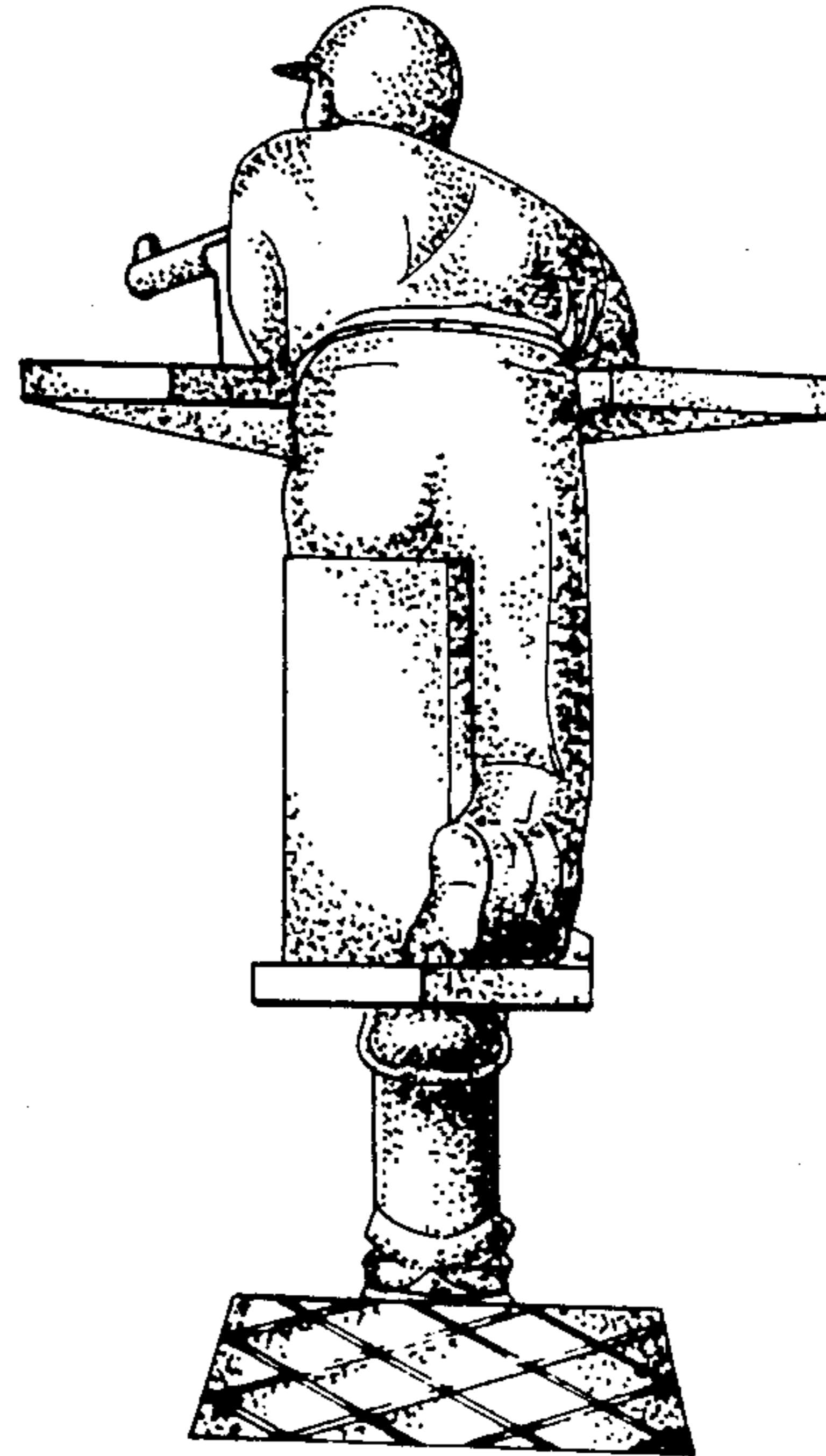


FIG. 2

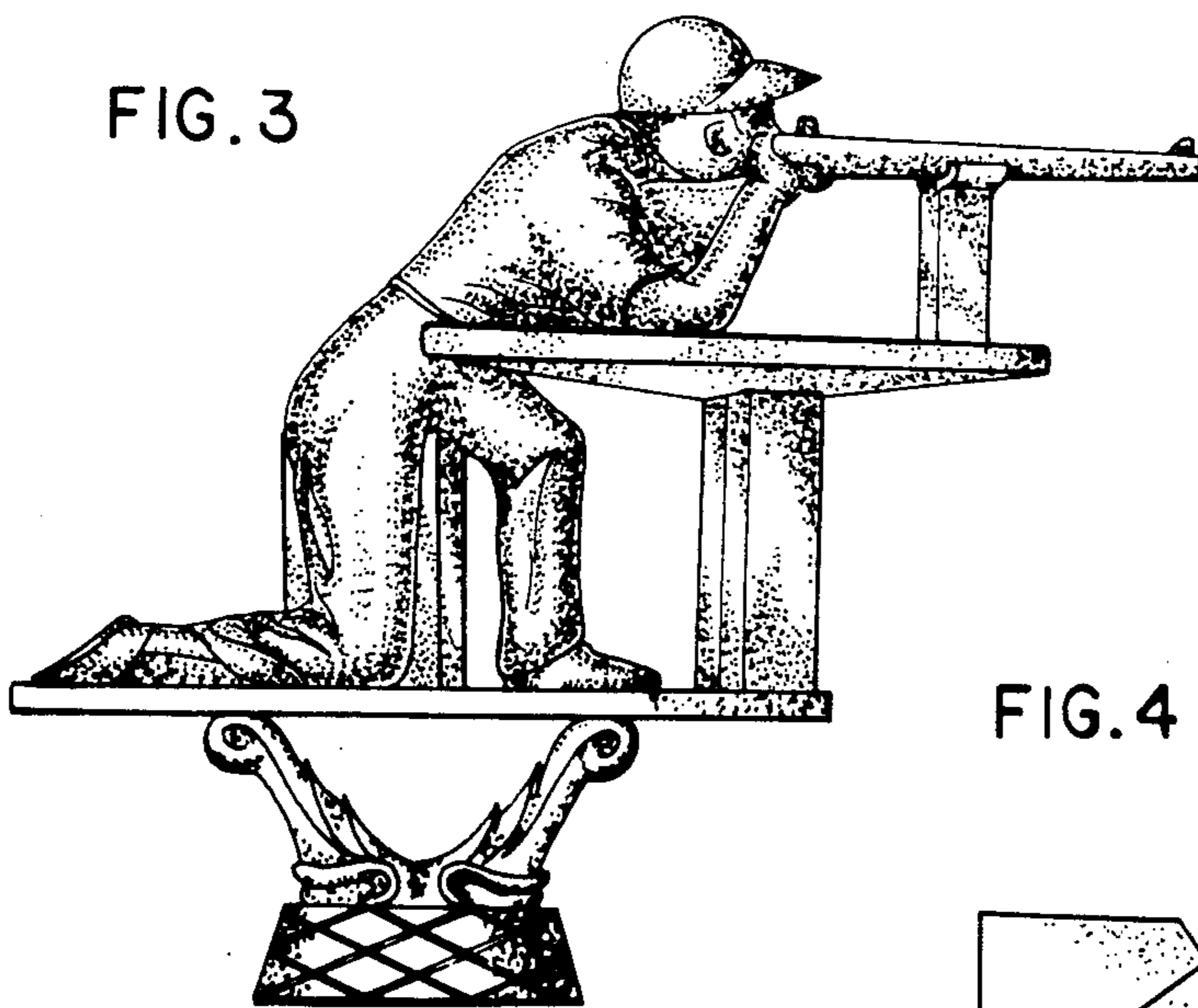


FIG. 3

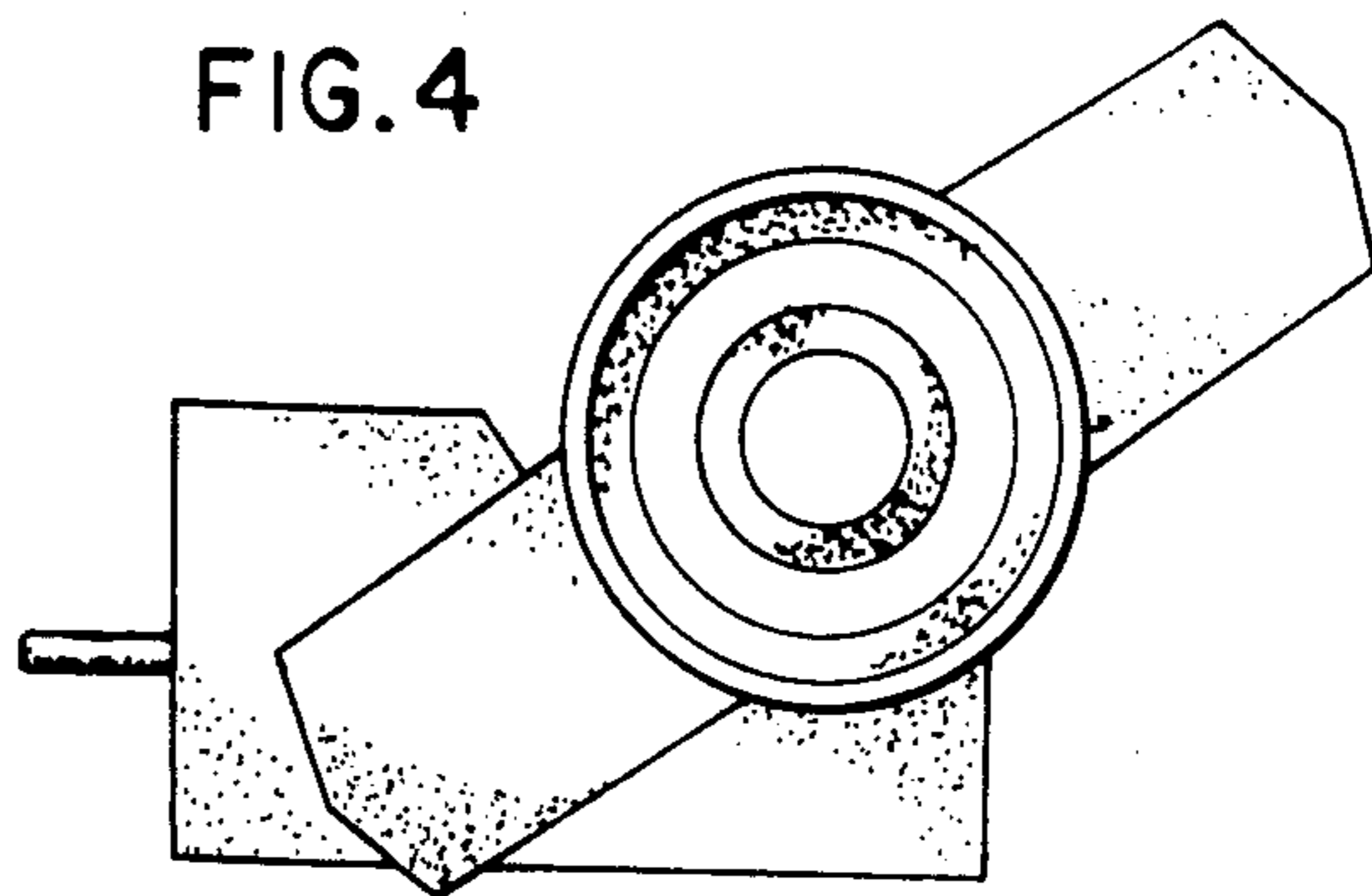


FIG. 4