

[54] HOUSING FOR FIRE AND SMOKE DETECTOR

[75] Inventors: Frederick J. Conforti, Aurora; Roy C. A. Robertson, Bolingbrook; Harvey Hanig, North Aurora, all of Ill.

[73] Assignee: Pittway Corporation, Northbrook, Ill.

[**] Term: 14 Years

[21] Appl. No.: 813,219

[22] Filed: Jul. 5, 1977

[51] Int. Cl. D10-05

[52] U.S. Cl. D10/106

[58] Field of Search D10/104, 106, 116, 118, D10/121; D13/32, 40, 41; 340/227 R, 227.1, 228 R, 228.1, 228.2, 237 R, 237 S, 258 R, 276, 280

[56] References Cited

U.S. PATENT DOCUMENTS

D. 216,229	12/1969	Hauser	D10/121
D. 216,231	12/1969	Hauser	D10/106
3,681,603	8/1972	Scheidweiler et al.	340/277 S

OTHER PUBLICATIONS

Merchandising Week Jan. 12, 1976 p. 14 Smoke Detector.

Pyrotronics "Pyr-A-Larm"® Bulletin, May 1974 Ionization Fire Detector.

Primary Examiner—Susan J. Lucas

Attorney, Agent, or Firm—Thomas R. Juettner

[57] CLAIM

The ornamental design for a housing for a fire and smoke detector, substantially as shown.

DESCRIPTION

FIG. 1 is a plan view of a housing for a fire and smoke detector showing our new design; FIG. 2 is a side view thereof, and FIG. 3 is a cross-sectional elevation view of the housing taken along the lines 3—3 of FIG. 1.

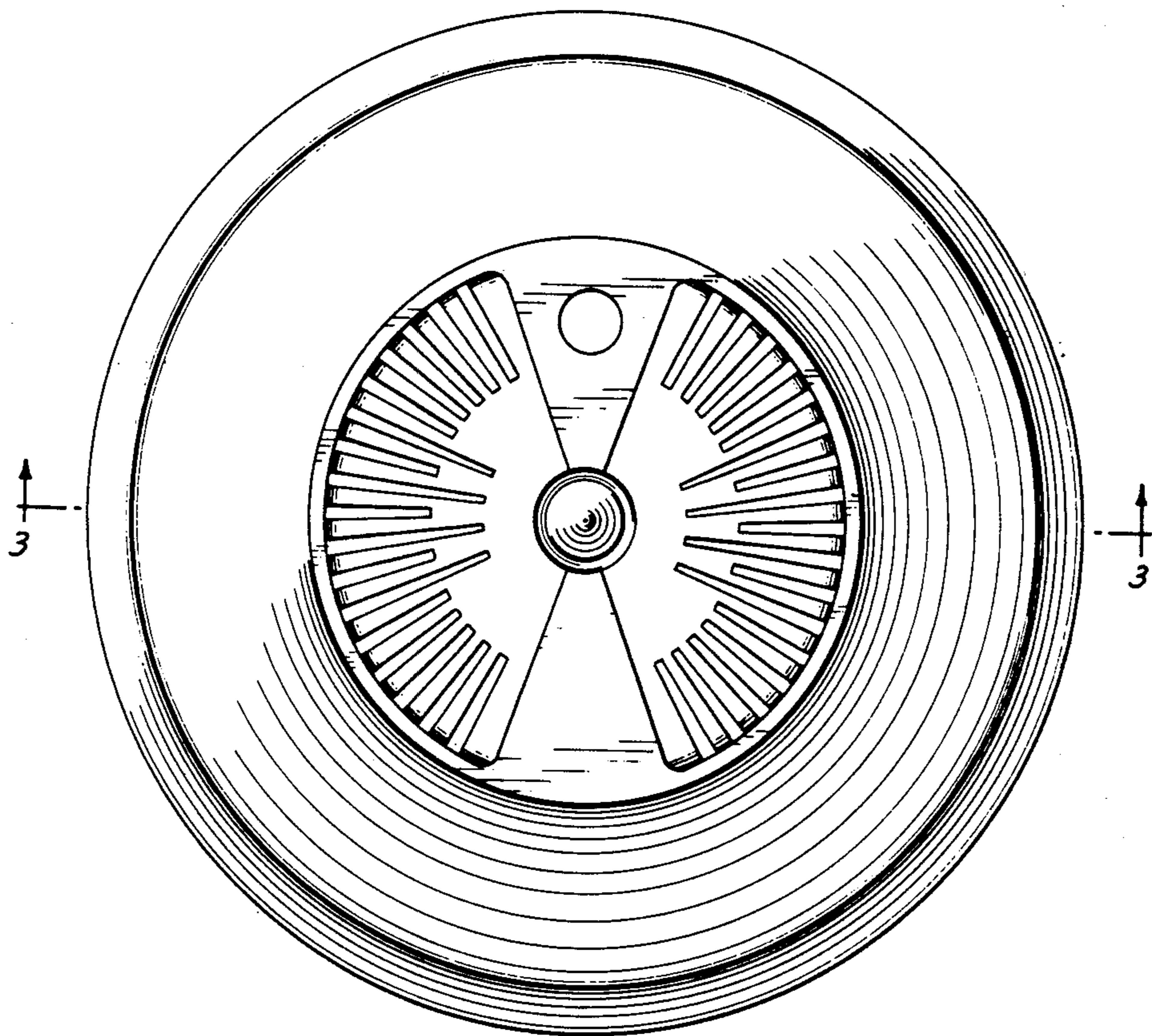


FIG. 1.

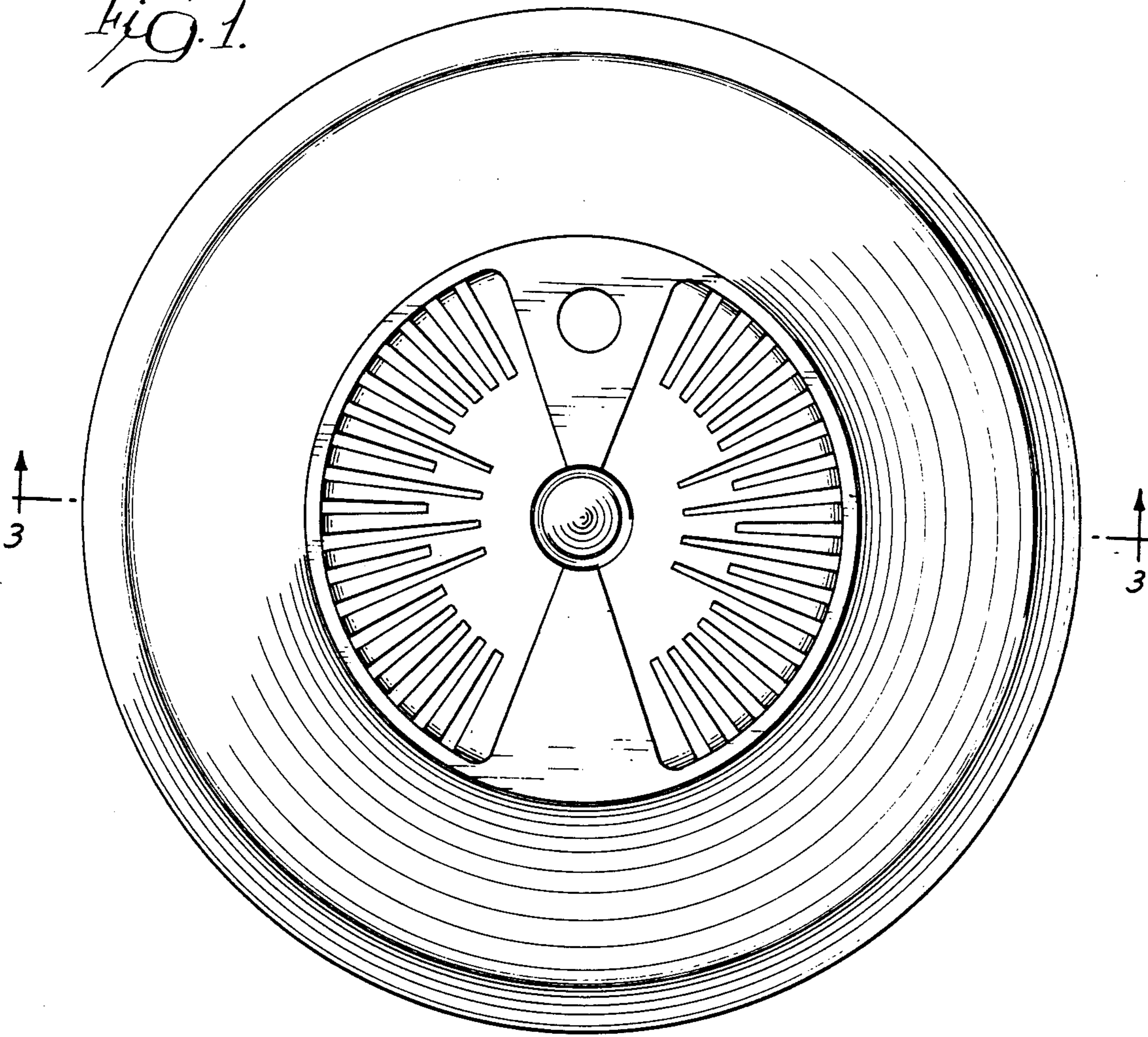


FIG. 2.

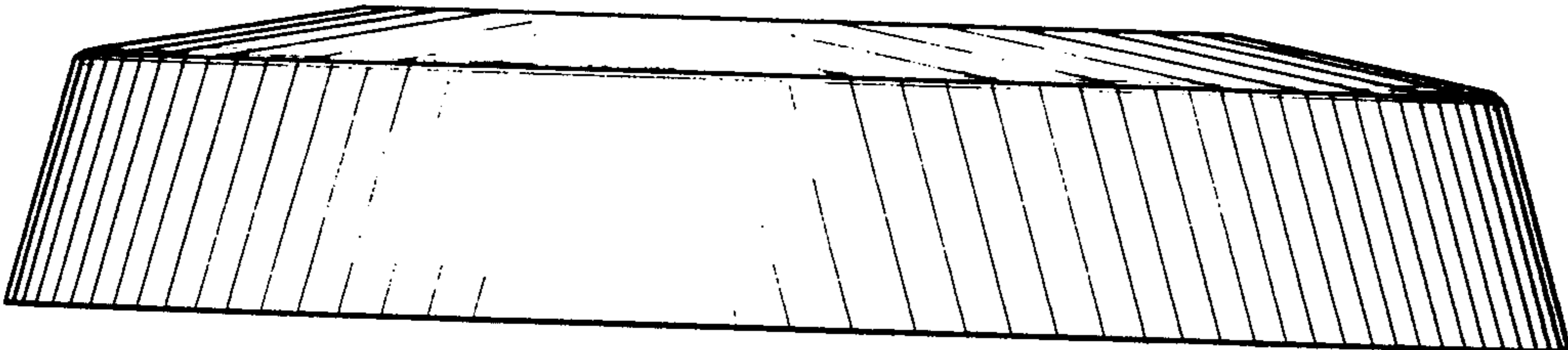


FIG. 3.

