

[54] HOUSING FOR FIRE AND SMOKE DETECTOR

[75] Inventors: Frederick J. Conforti, Aurora; Roy C. A. Robertson, Bolingbrook; Harvey Hanig, North Aurora, all of Ill.

[73] Assignee: Pittway Corporation, Northbrook, Ill.

[\*\*] Term: 14 Years

[21] Appl. No.: 813,130

[22] Filed: Jul. 5, 1977

[51] Int. Cl. .... D10-05  
[52] U.S. Cl. .... D10/106  
[58] Field of Search ..... D10/104, 106, 116, 118, D10/121; D13/32, 40, 41; 340/227 R, 227.1, 228 R, 228.1, 228.2, 237 R, 237 S, 258 R, 276, 280

[56] References Cited

U.S. PATENT DOCUMENTS

D. 216,229 12/1969 Hauser ..... D10/121  
D. 216,231 12/1969 Hauser ..... D10/106  
3,681,603 8/1972 Scheidweiler et al. .... 340/227.5 X

OTHER PUBLICATIONS

Merchandising Week Jan. 12, 1976 p. 14 Smoke Detector.

Pyrotronics "Pyr-A-Larm" ® Bulletin, May 1974 Ionization Fire Detector.

Primary Examiner—Susan J. Lucas

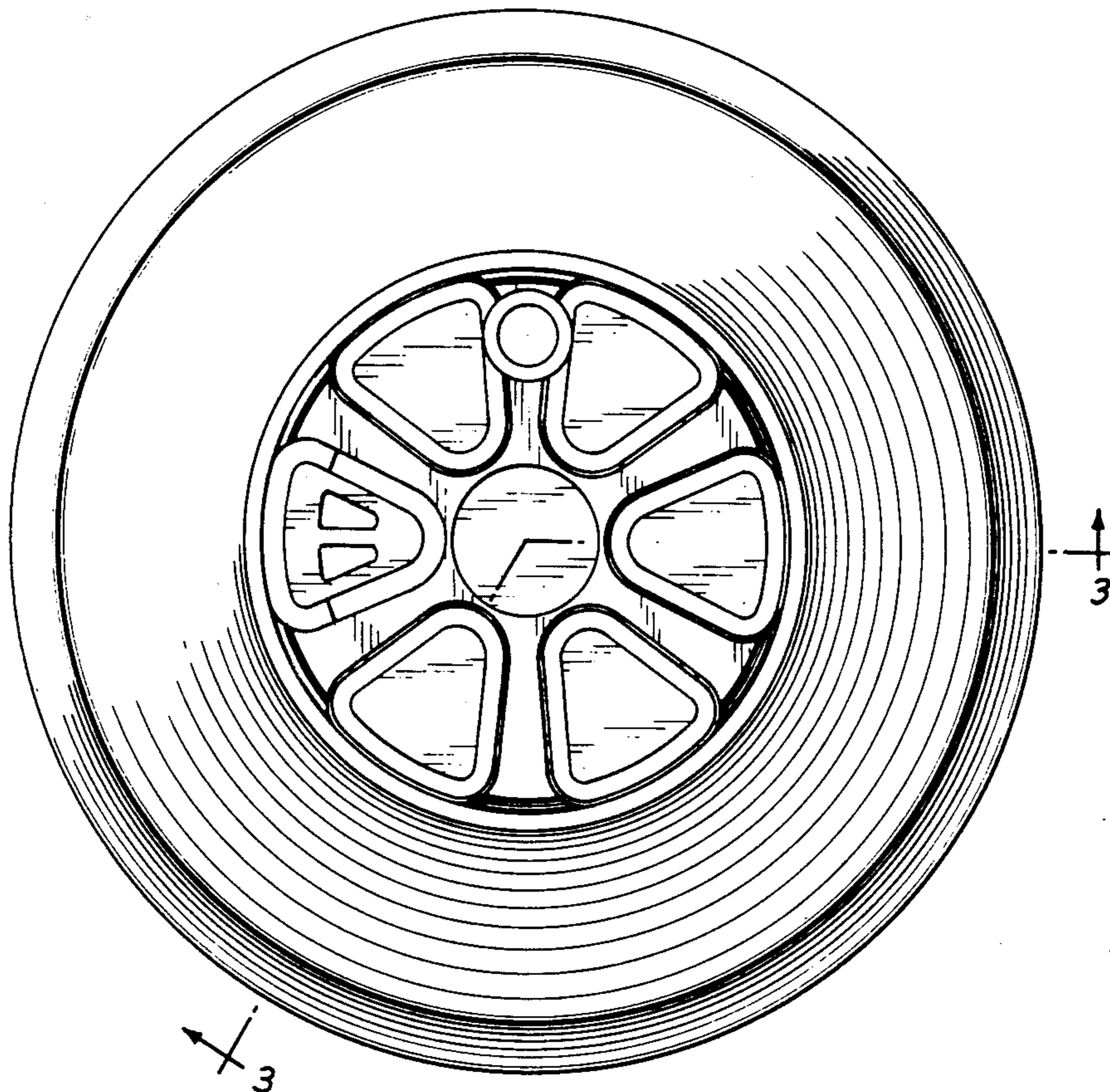
Attorney, Agent, or Firm—Thomas R. Juettner

[57] CLAIM

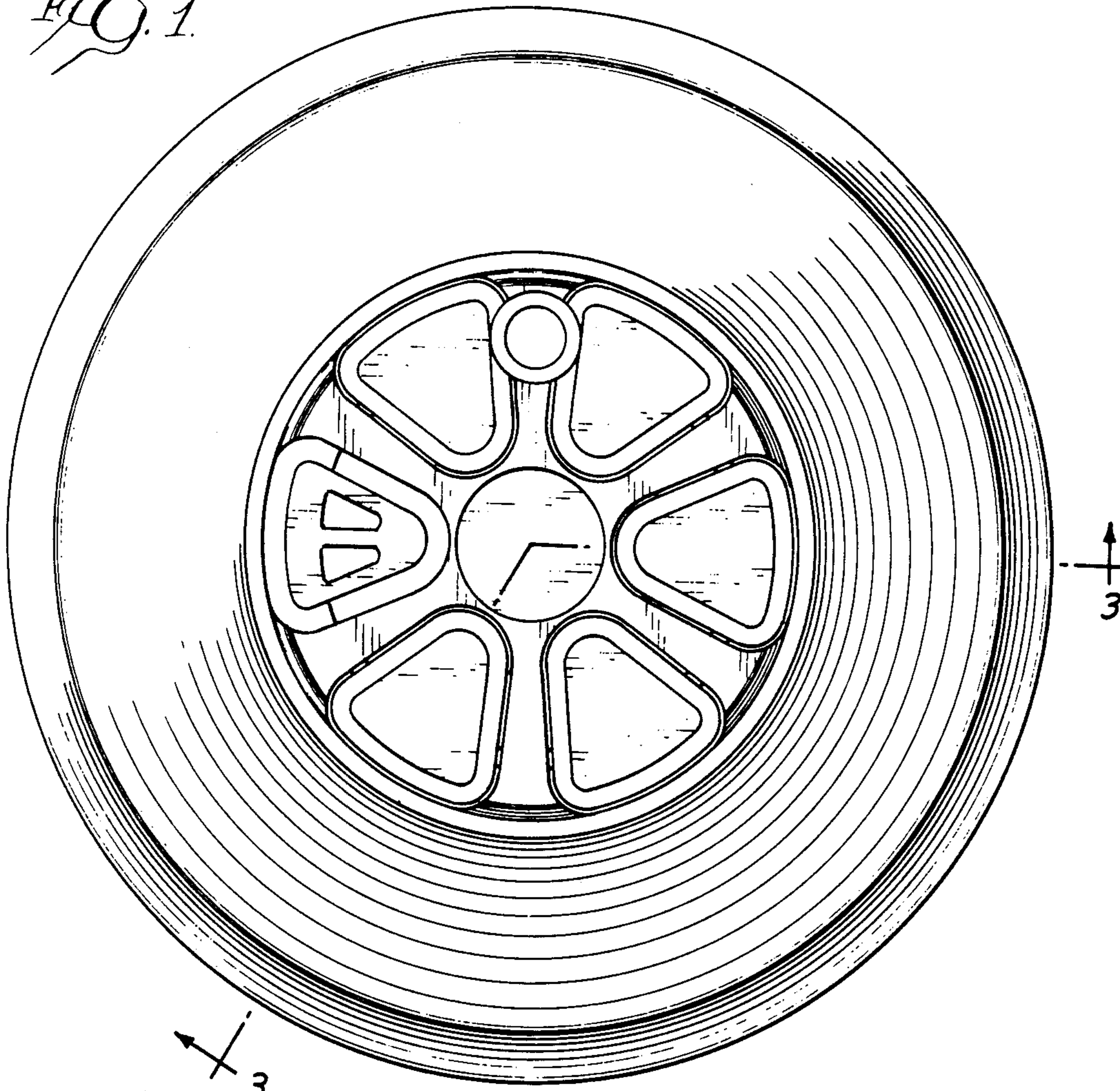
The ornamental design for a housing for a fire and smoke detector, substantially as shown.

DESCRIPTION

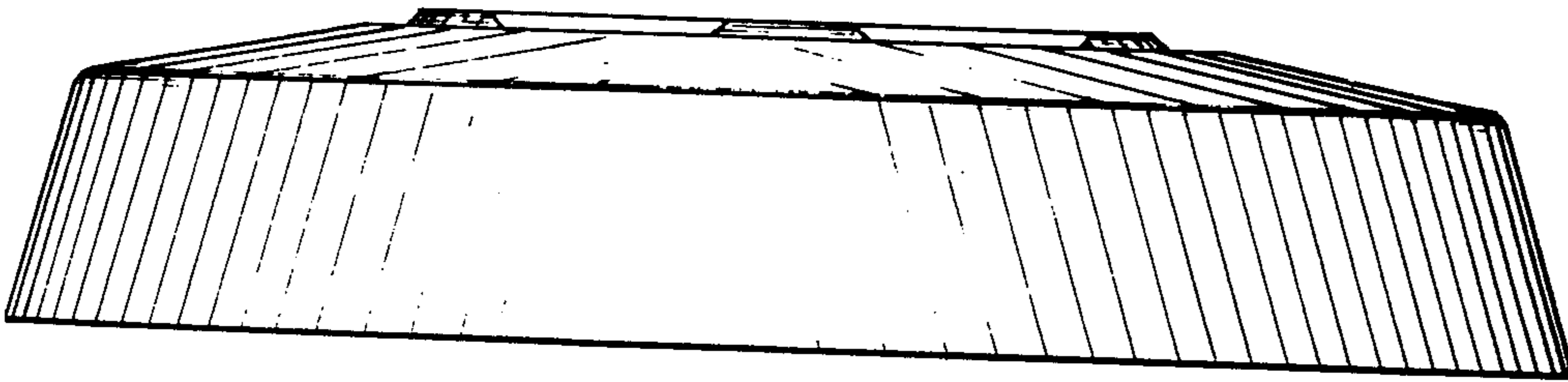
FIG. 1 is a plan view of a housing for a fire and smoke detector showing our new design; FIG. 2 is a side view thereof; and FIG. 3 is a cross-sectional elevation view of the housing taken substantially along the lines 3—3 of FIG. 1.



*Fig. 1.*



*Fig. 2.*



*FIG. 3.*

