

[54] HANGER BRACKET

[75] Inventor: Theodore Magnus Bleed, Rockford, Ill.

[73] Assignee: Coats & Clark, Inc., Stamford, Conn.

[**] Term: 14 Years

[21] Appl. No.: 713,878

[22] Filed: Aug. 12, 1976

[51] Int. Cl. D8-08

[52] U.S. Cl. D8/373; D8/363; D8/370

[58] Field of Search 248/216, 216.1, 216.3, 248/217.3, 219, 220, 223, 247, 248, 300, 309; D6/120, 125; D8/71, 72, 73, 74, 396, 373, 370, 356, 363, 499

[56] References Cited

U.S. PATENT DOCUMENTS

D. 225,509	12/1972	Charlton	D8/363
D. 244,512	5/1977	Edwards	D8/373
2,872,145	2/1959	Goldsholl	D6/120 X
3,037,733	6/1962	Roman	D6/120 X
3,158,348	11/1964	Rutter	248/216.3 X

Primary Examiner—A. Hugo Word
Attorney, Agent, or Firm—Milton J. Wayne

[57] CLAIM

The ornamental design for a hanger bracket, substantially as shown and described.

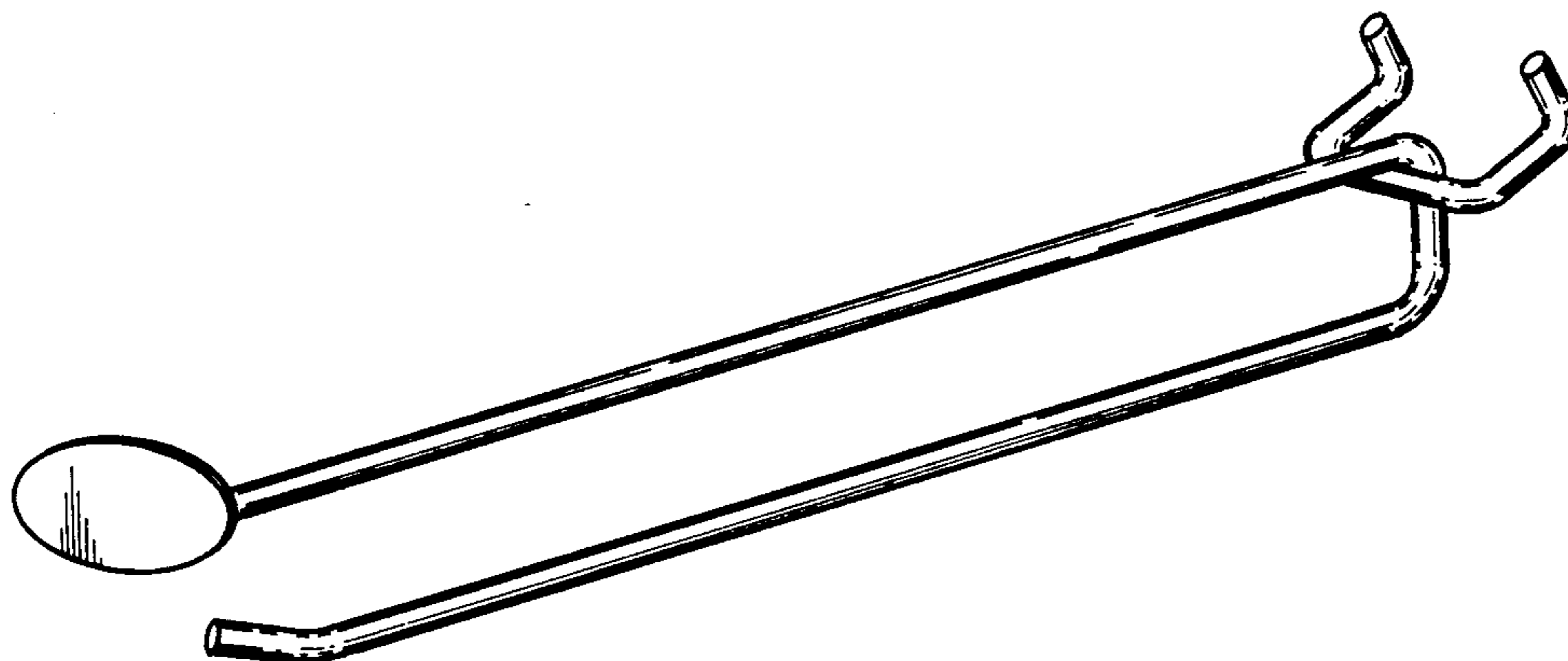
DESCRIPTION

FIG. 1 is a perspective view of the hanger bracket from above and to the right;

FIG. 2 is a perspective view of the hanger bracket from below and to the left;

FIG. 3 is a perspective view of a modification of the hanger bracket from above and to the right, and

FIG. 4 is a perspective view of the hanger bracket of FIG. 3 from the rear and to the left.



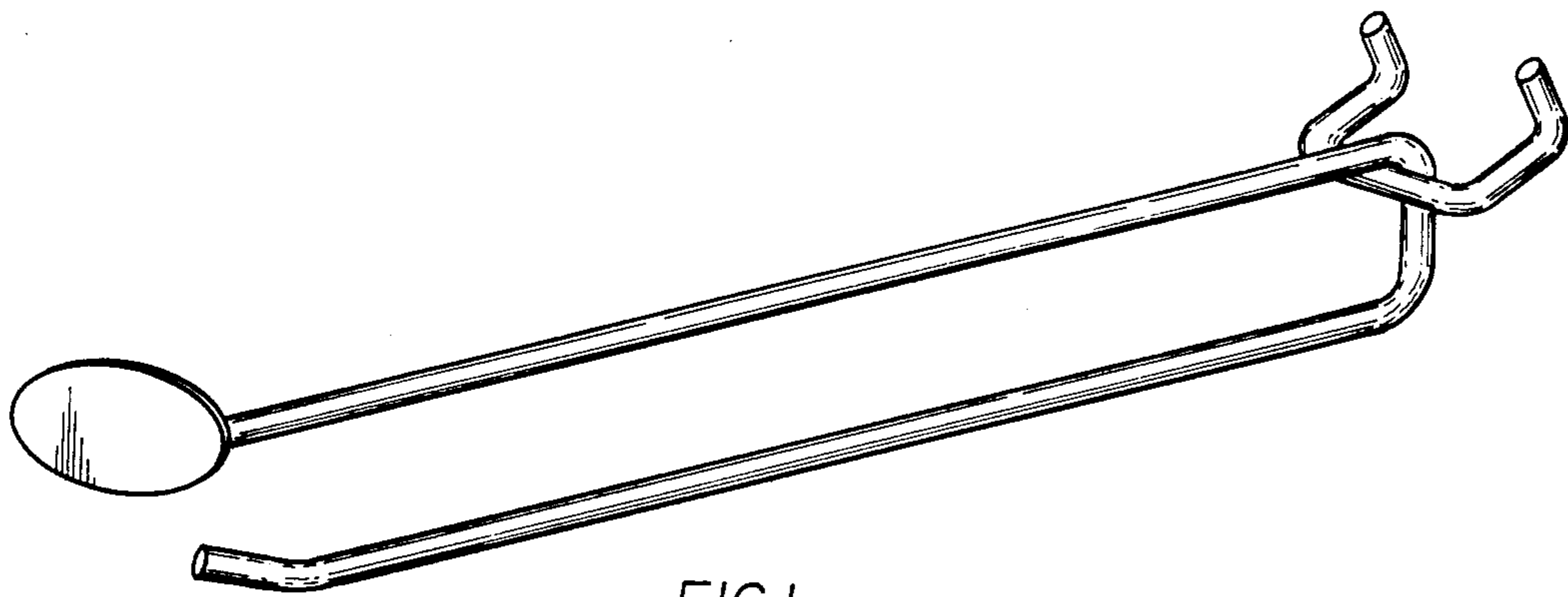


FIG. 1

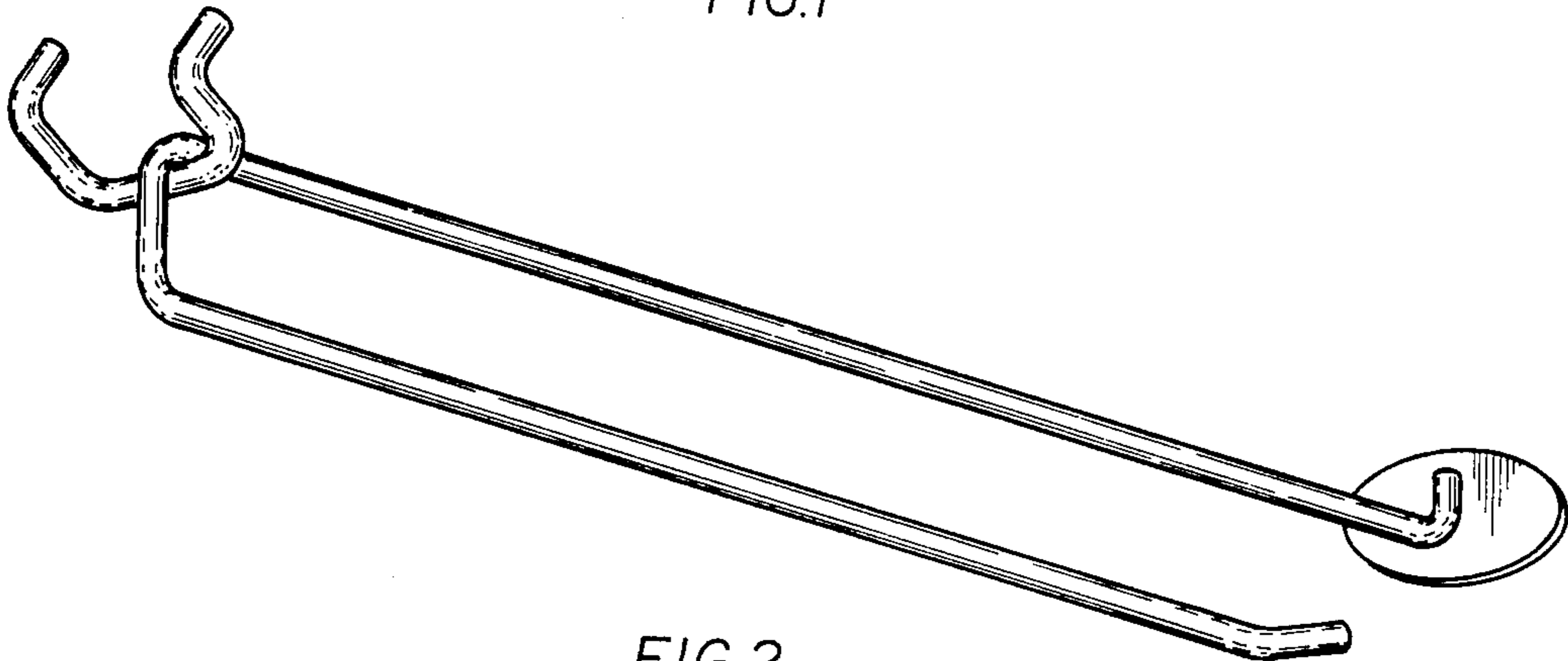


FIG. 2

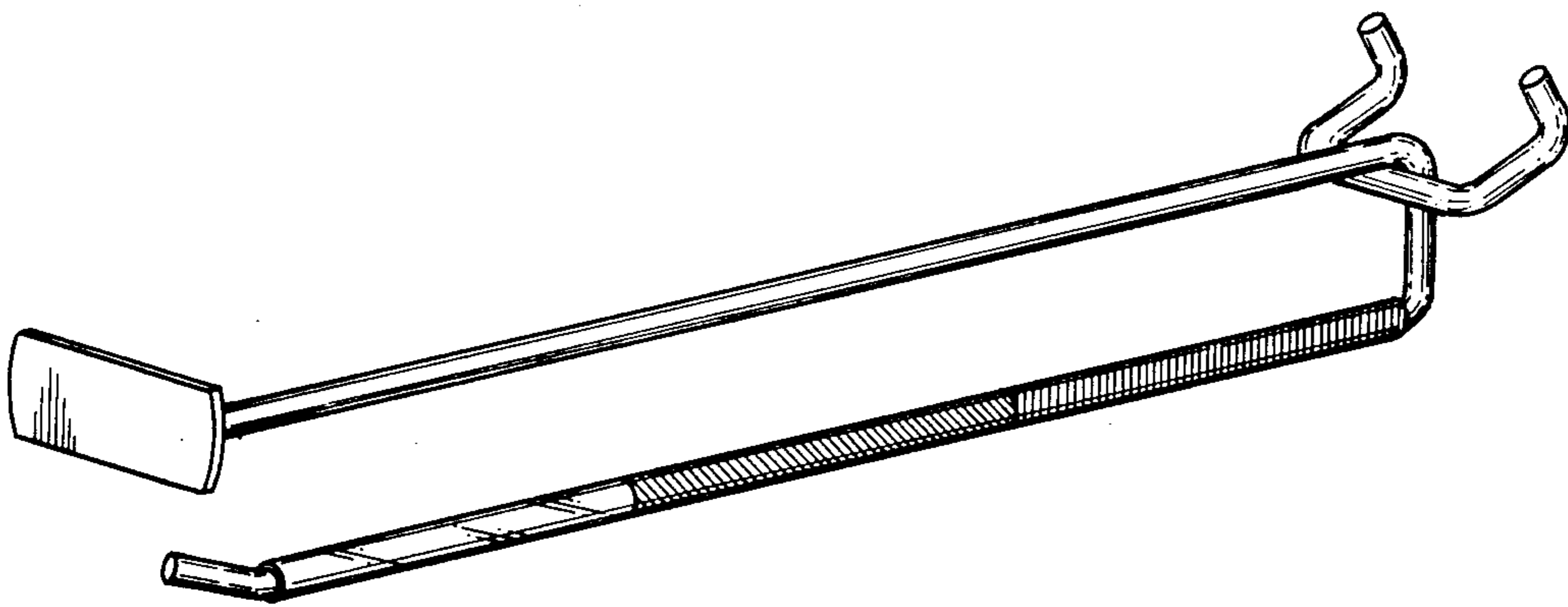


FIG. 3

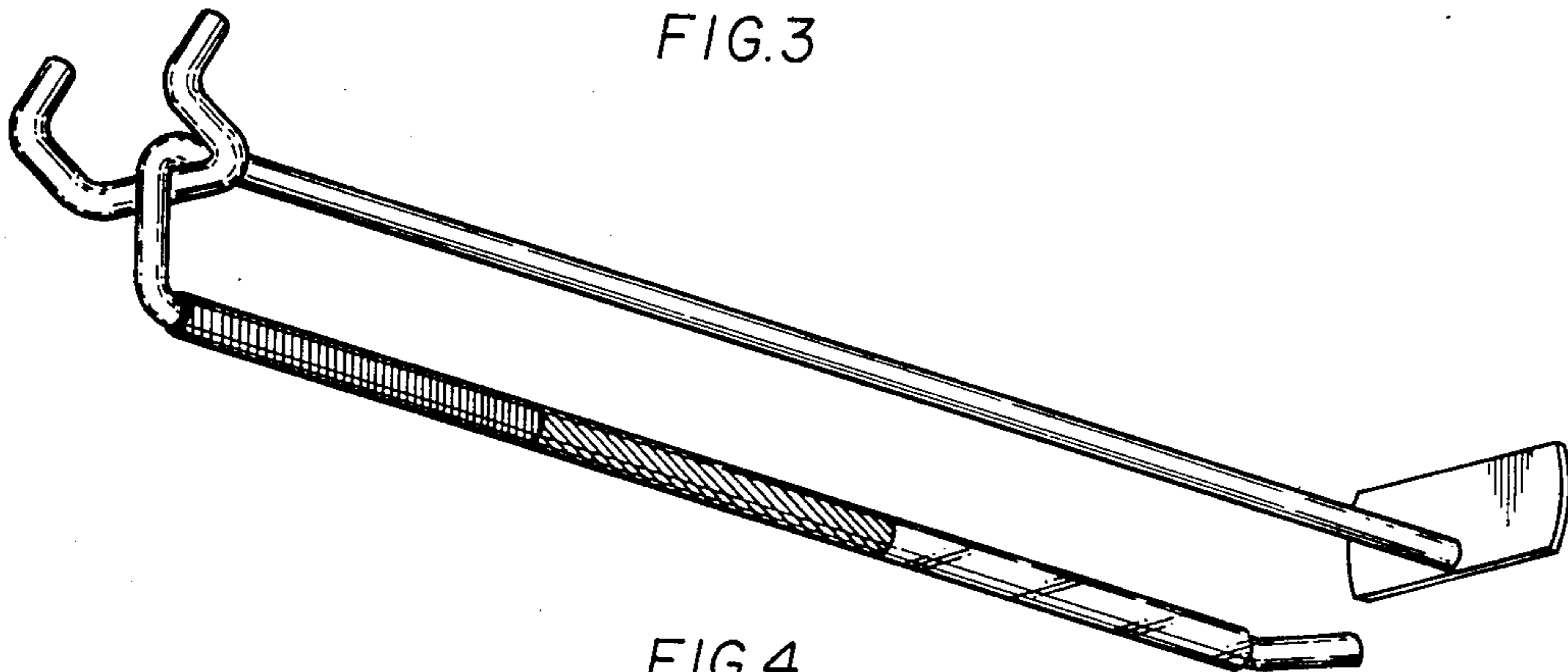


FIG. 4