

[54] ANGLE JOINT FOR BUILDING SYSTEM

[75] Inventor: Keith Halliwell, Collaroy, Australia

[73] Assignee: Injectaform Pty. Limited, Brookvale, Australia

[\*\*] Term: 14 Years

[21] Appl. No.: 656,823

[22] Filed: Feb. 9, 1976

[30] Foreign Application Priority Data

Aug. 11, 1975 [AU] Australia ..... 6755/75

[51] Int. Cl. .... D8-08

[52] U.S. Cl. .... D8/354; D8/366;  
D8/373; D8/380

[58] Field of Search ..... D8/235, 354, 363, 366,  
D8/373, 380; 52/702, 751, 752, 702; 403/232,  
217, 231, 263, 405, 406, 191, 192, 187, 382, 403,  
205

[56] References Cited

U.S. PATENT DOCUMENTS

1,652,612	12/1927	Daniels .....	403/406
2,028,353	1/1936	Roberts .....	403/231
2,931,129	4/1960	Boniface .....	403/219 X
3,988,872	11/1976	Adamson .....	403/405 X

FOREIGN PATENT DOCUMENTS

59,314	4/1947	Netherlands .....	403/231
871,309	6/1961	United Kingdom .....	D8/354

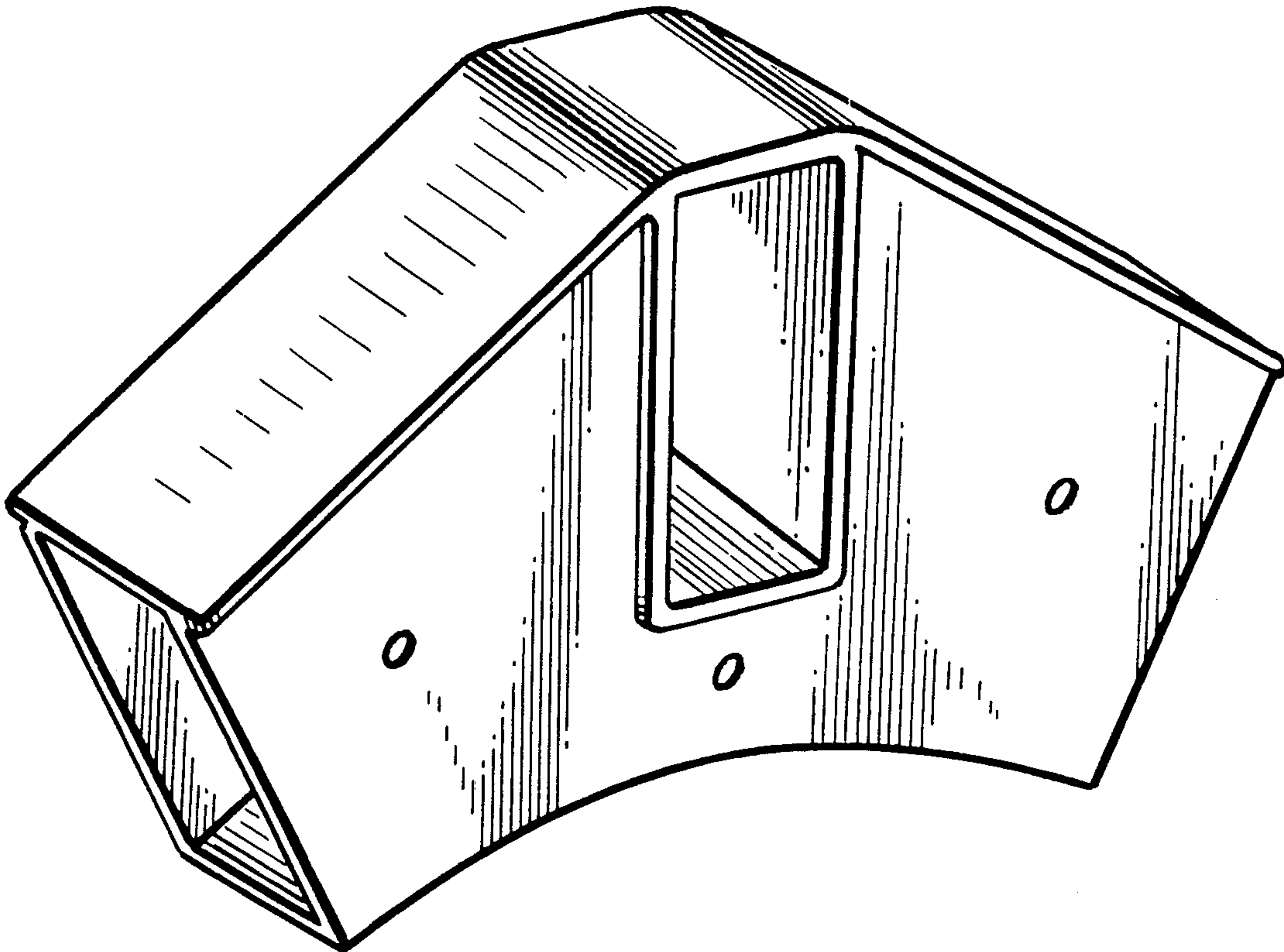
Primary Examiner—A. Hugo Word  
Attorney, Agent, or Firm—Eric H. Waters

[57] CLAIM

The ornamental design for an angle joint for building system, as shown.

DESCRIPTION

FIG. 1 is a perspective view of an angle joint for a building system showing my new design;  
FIG. 2 is an elevational view thereof from the rear;  
FIG. 3 is a sectional view taken on line 3—3 in FIG. 2; and  
FIG. 4 is a bottom plan view thereof.



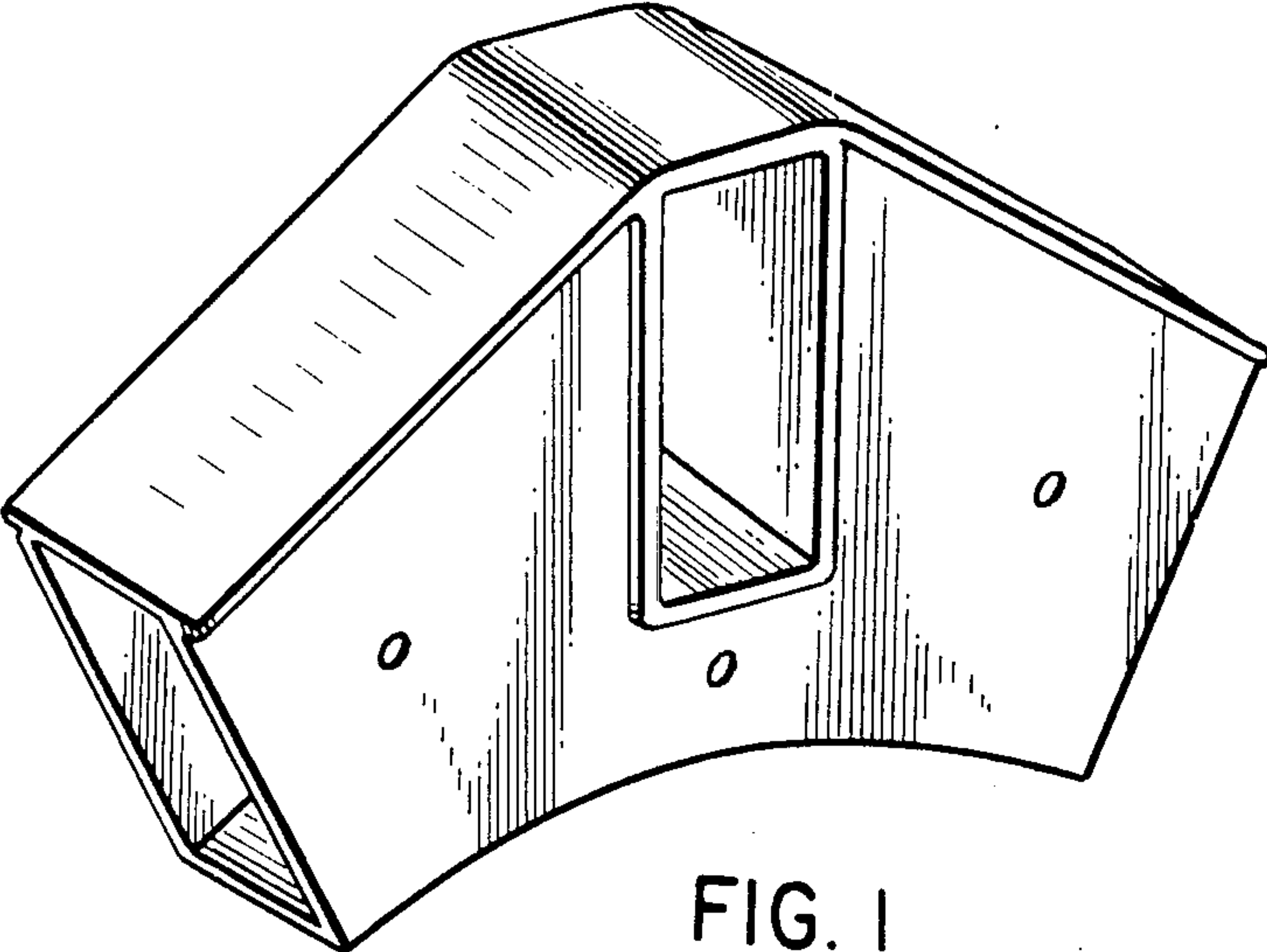


FIG. 1

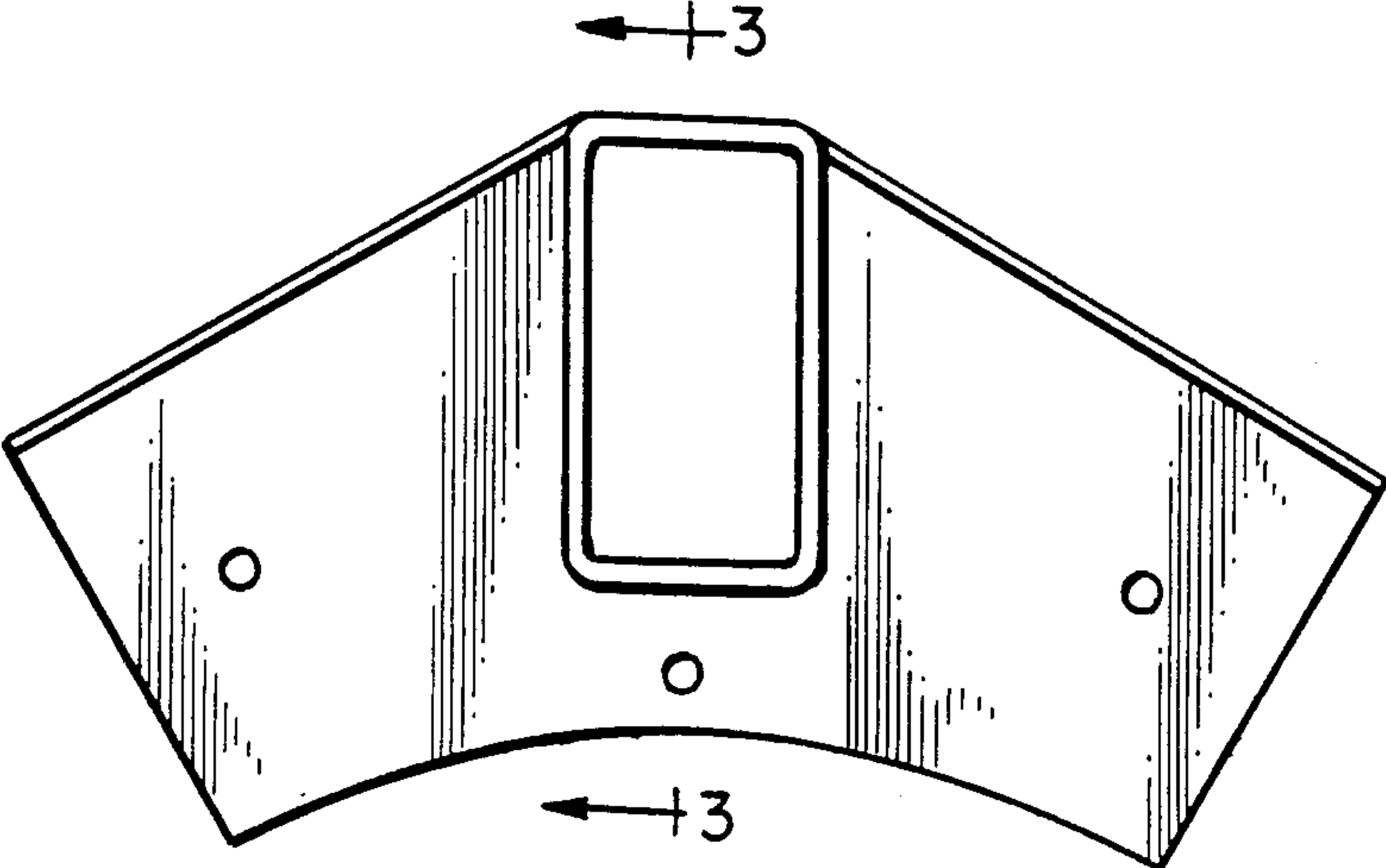


FIG. 2

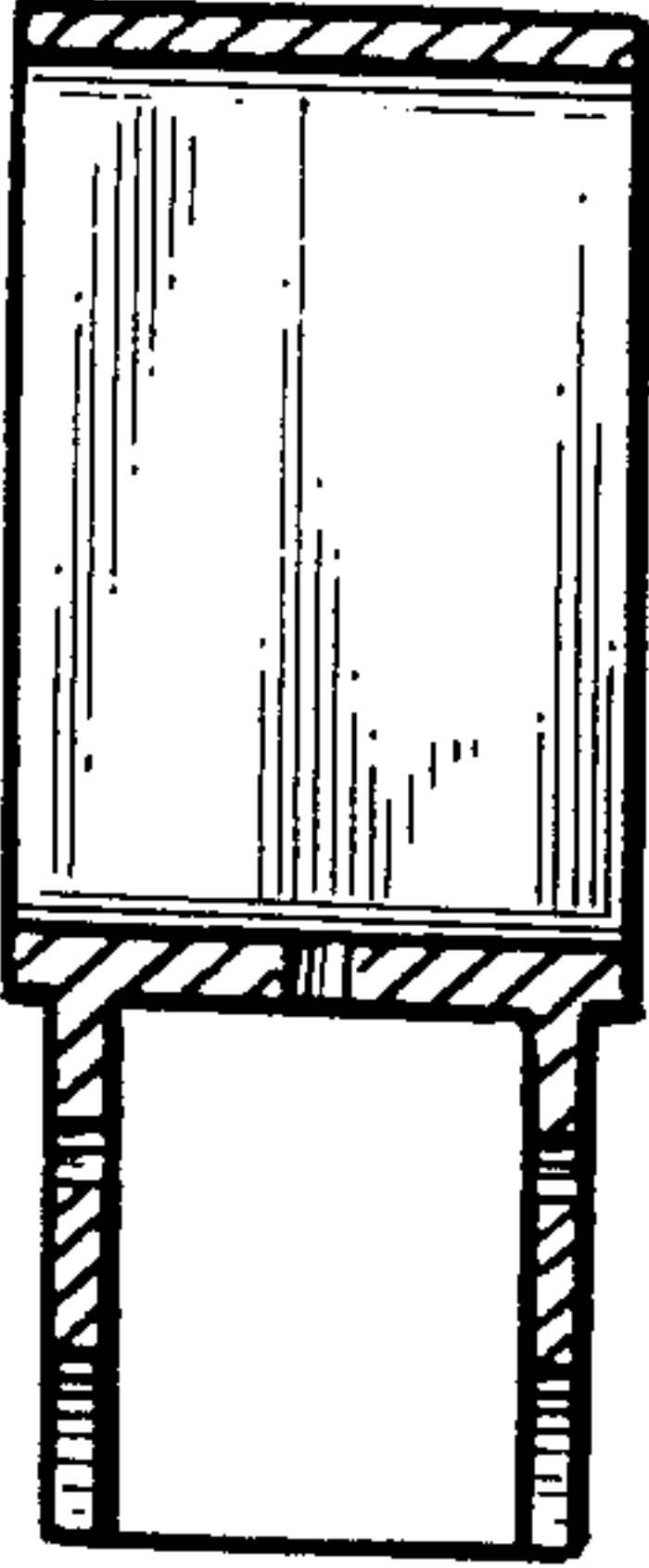


FIG. 3

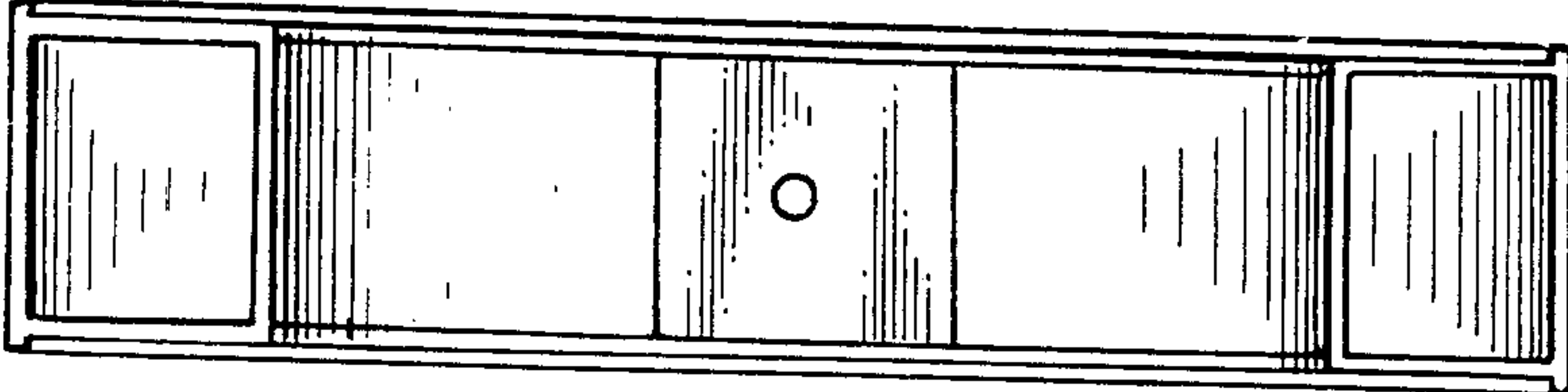


FIG. 4