

[54] MOORING WHIP BASE

[76] Inventor: Robert H. Olsen, 106 SE. 10th St., Ft. Lauderdale, Fla. 33316

[**] Term: 14 Years

[21] Appl. No.: 702,467

[22] Filed: Jul. 6, 1976

[51] Int. Cl. D12-16

[52] U.S. Cl. D8/349; D8/354; D12/70

[58] Field of Search D8/349, 354, 356, 373, D8/355, 380, 499; D12/70, 155, 215; D6/85; D25/1; 211/67; 280/170; 248/346, 519, 523, 530; 231/112 R; 114/230

[56]

References Cited

U.S. PATENT DOCUMENTS

D. 229,480	12/1973	Brushaber	D8/355
3,120,831	2/1964	Fulton	114/230
3,187,707	6/1965	Carbone	114/230

Primary Examiner—Wallace R. Burke
Assistant Examiner—James M. Gandy
Attorney, Agent, or Firm—Barry L. Haley

[57]

CLAIM

The ornamental design for a mooring whip base, substantially as shown.

DESCRIPTION

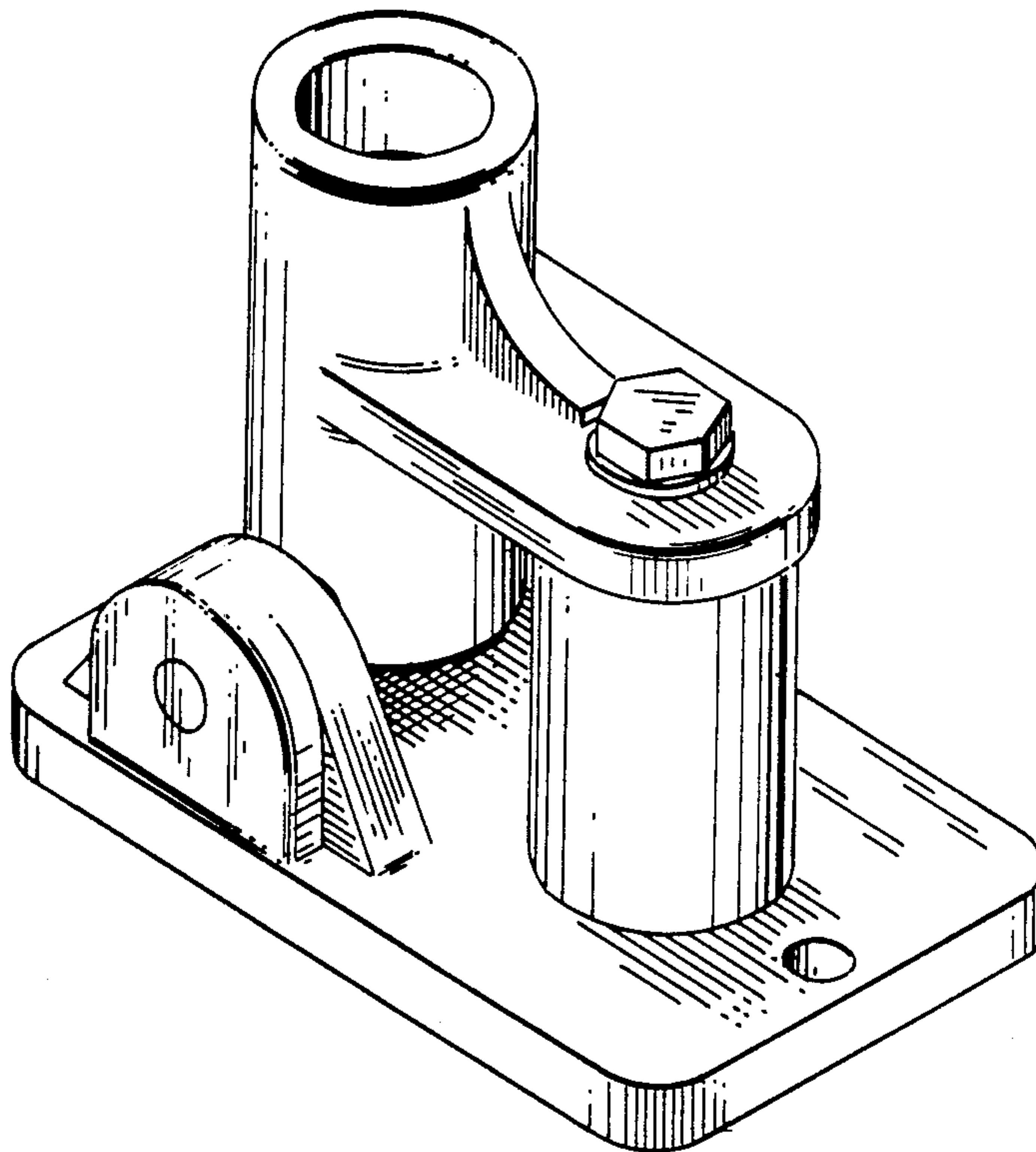
FIG. 1 is a perspective view of a mooring whip base showing my new design;

FIG. 2 is a top plan view thereof;

FIG. 3 is a side elevational view thereof the opposite side being a mirror image of the side shown herein;

FIG. 4 is a front elevational view thereof; and

FIG. 5 is a back elevational view thereof.



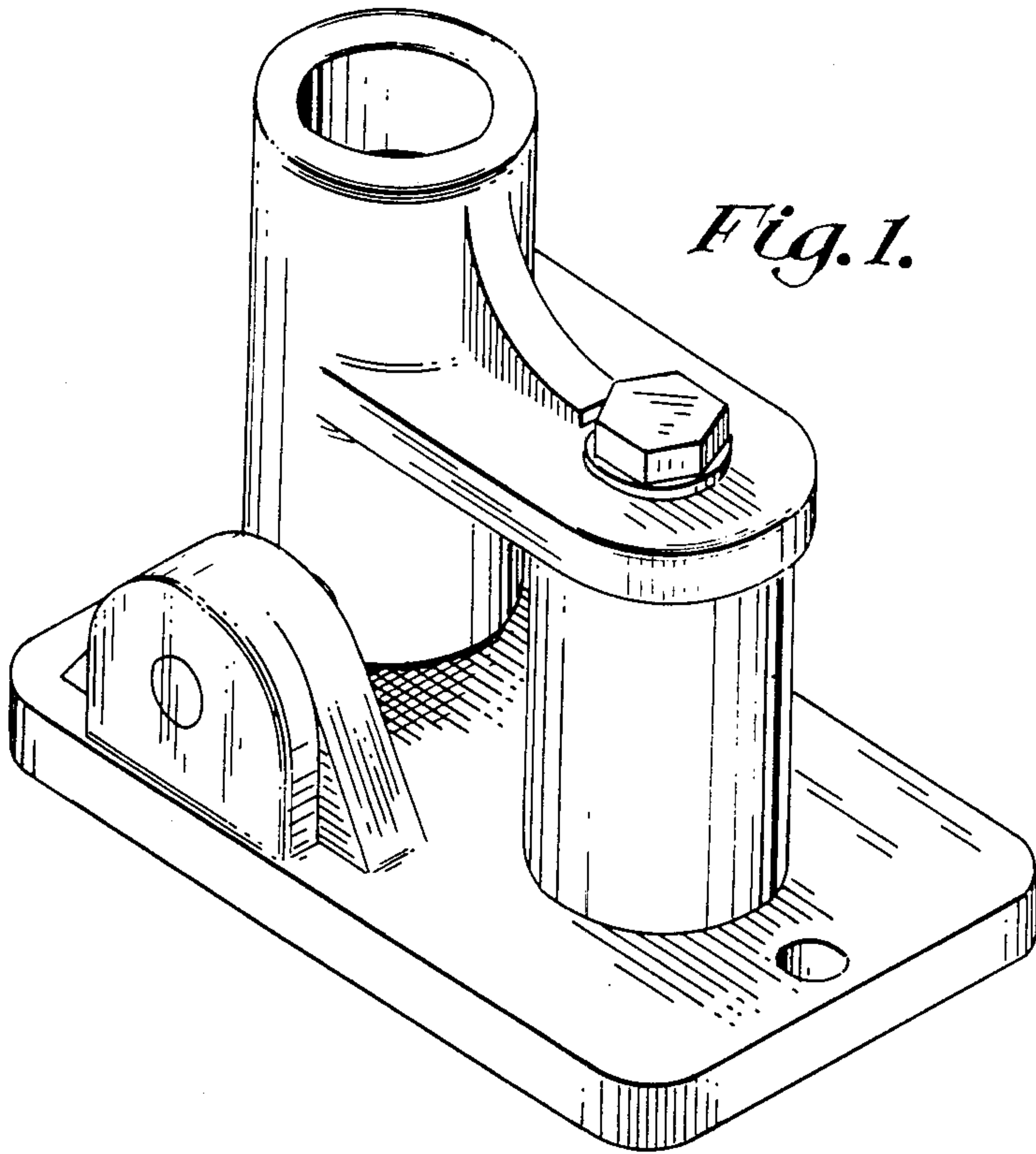


Fig. 1.

Fig. 2.

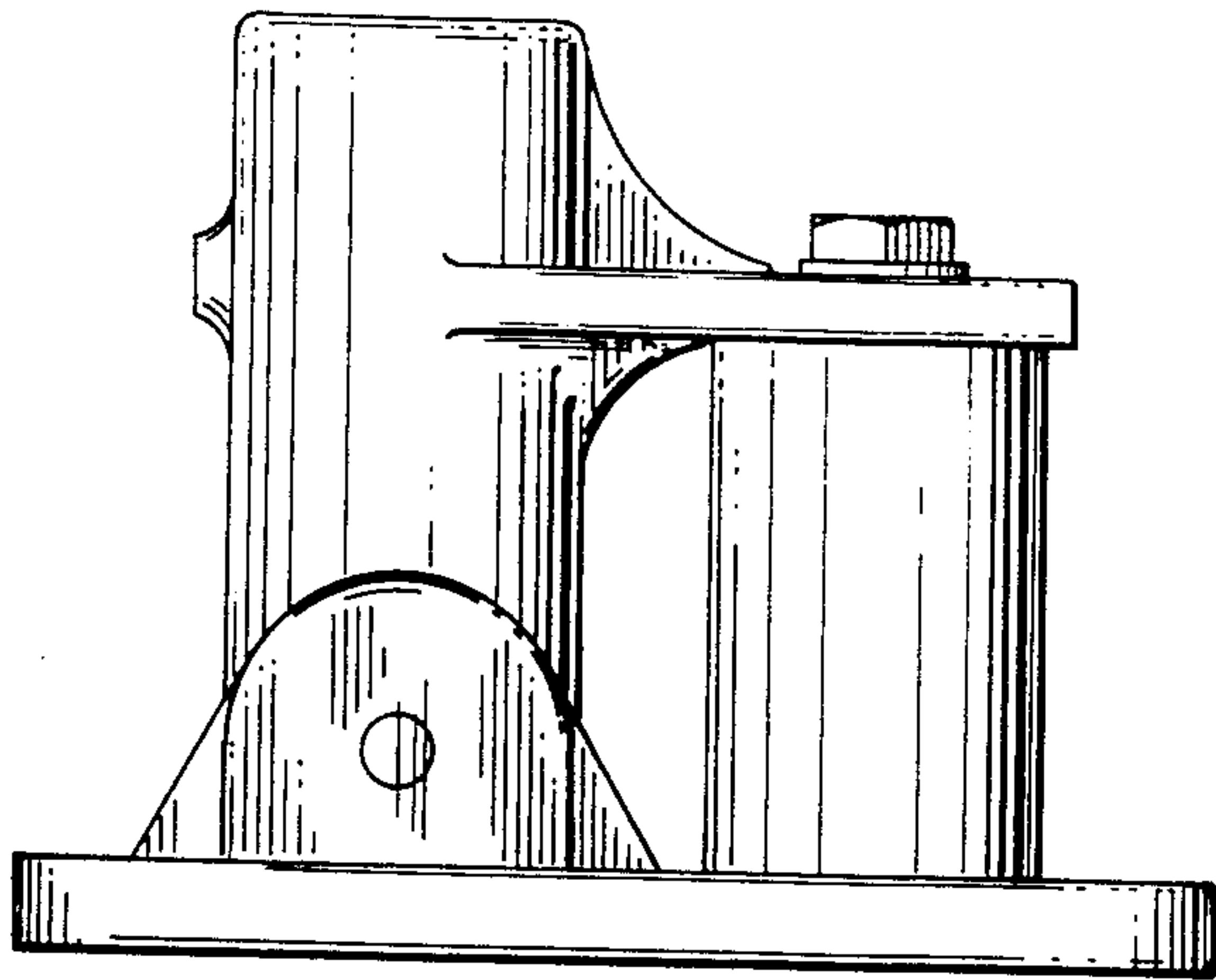
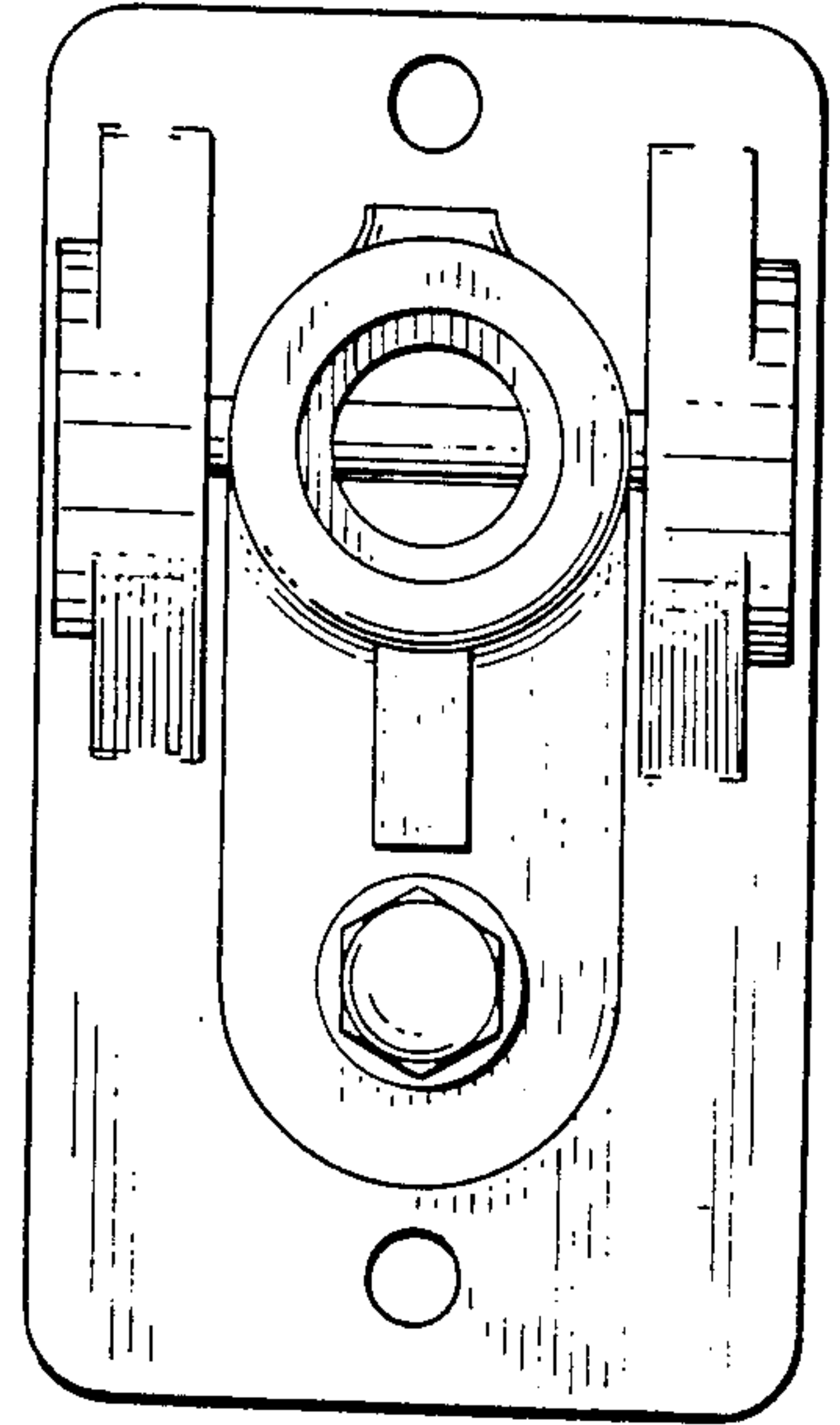


Fig. 3.

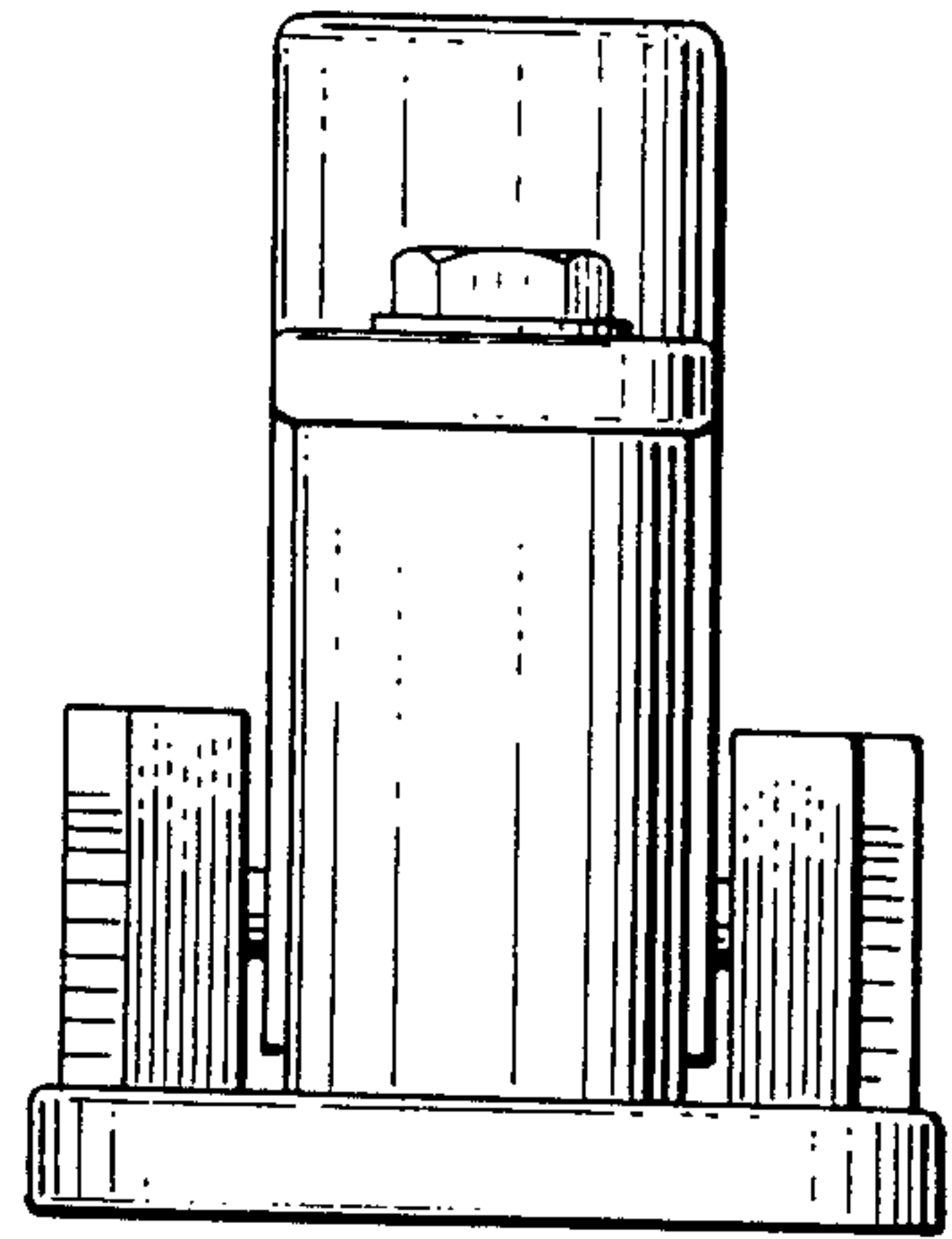


Fig. 4.

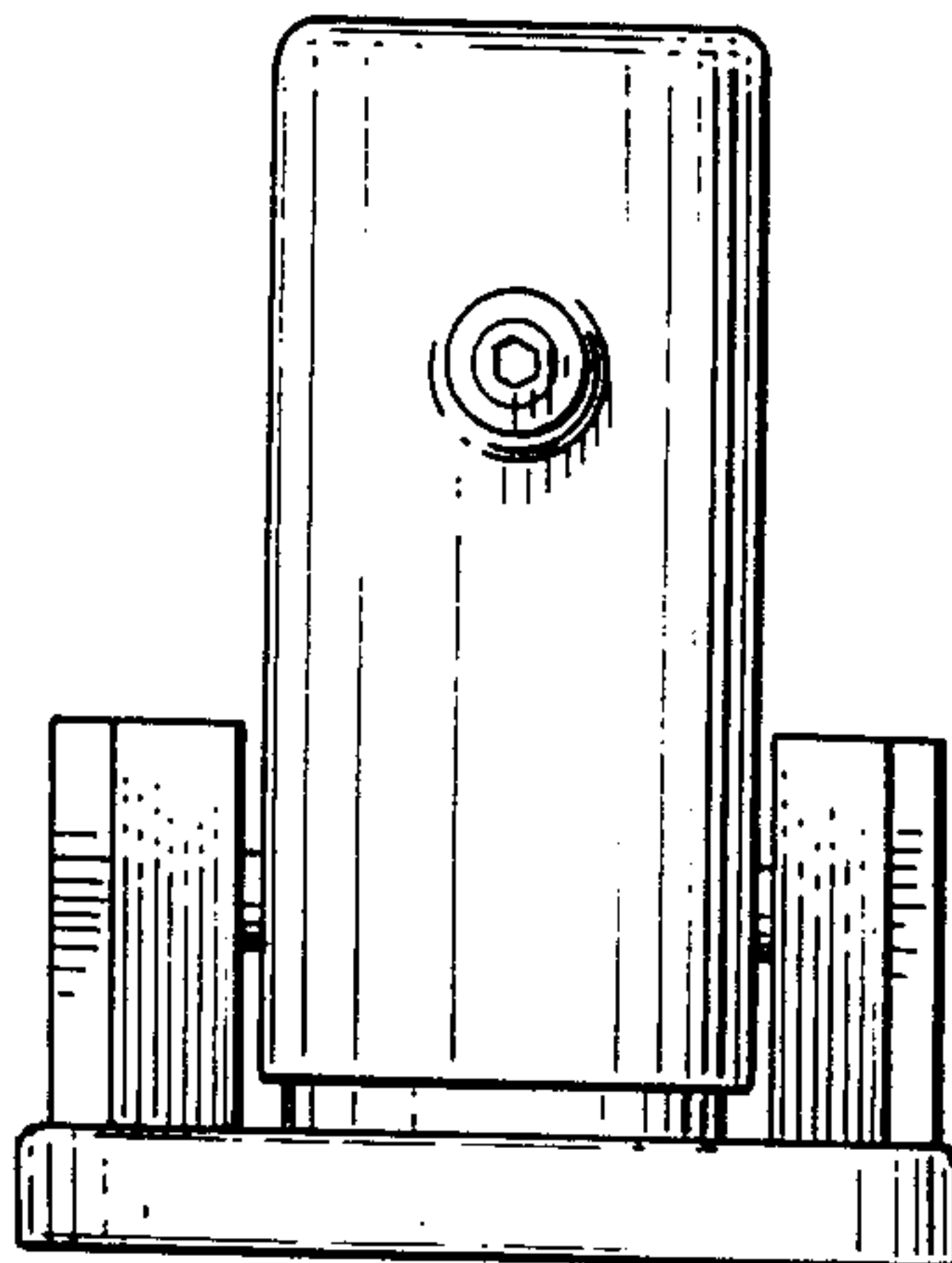


Fig. 5.