

[54] DRAW BOLT FOR LUGGAGE OR THE LIKE

[56]

References Cited

U.S. PATENT DOCUMENTS

[75] Inventor: Edward M. Stolarz, Yorktown Heights, N.Y.

2,001,805 5/1935 Wheary ..... 70/70  
3,584,906 6/1971 Budzyn ..... 70/73

[73] Assignee: Presto Lock Company, Division of Walter Kidde & Company, Inc., Garfield, N.J.

Primary Examiner—Wallace R. Burke  
Assistant Examiner—James M. Gandy  
Attorney, Agent, or Firm—Harry G. Shapiro

[\*\*] Term: 14 Years

[57]

CLAIM

The ornamental design for a draw bolt for luggage or the like, as shown.

[21] Appl. No.: 777,085

DESCRIPTION

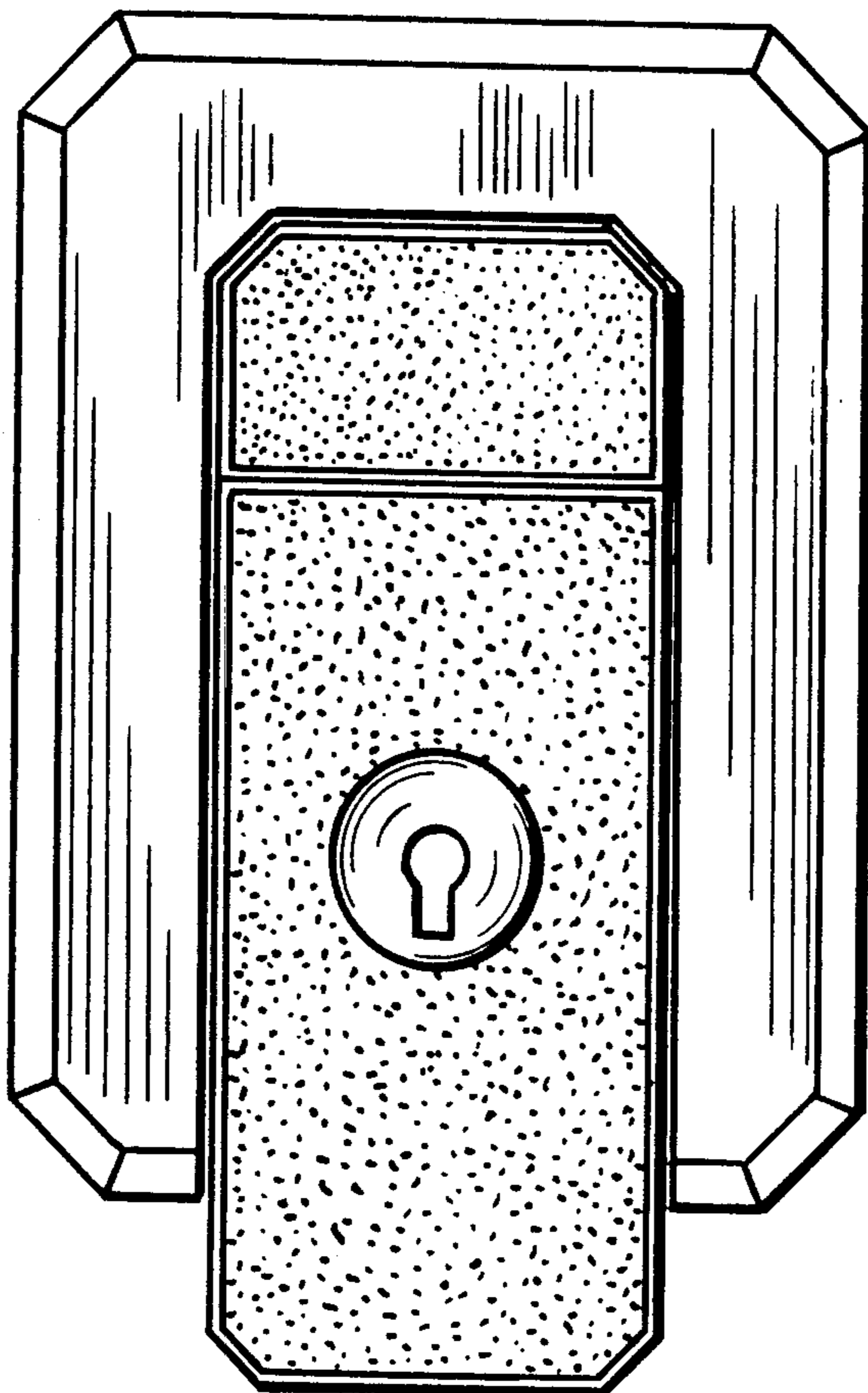
[22] Filed: Mar. 14, 1977

FIG. 1 is a front elevational view of a draw bolt for luggage or the like showing my new design;  
FIG. 2 is a top plan view thereof;  
FIG. 3 is a bottom plan view thereof;  
FIG. 4 is a left side elevational view thereof, the right side being a mirror image of the left side shown herein; and  
FIG. 5 is a rear elevational view thereof.

[51] Int. Cl. .... D8-07

[52] U.S. Cl. .... D8/338

[58] Field of Search ..... D8/338, 336; 70/69-75;  
292/DIG. 42, DIG. 49



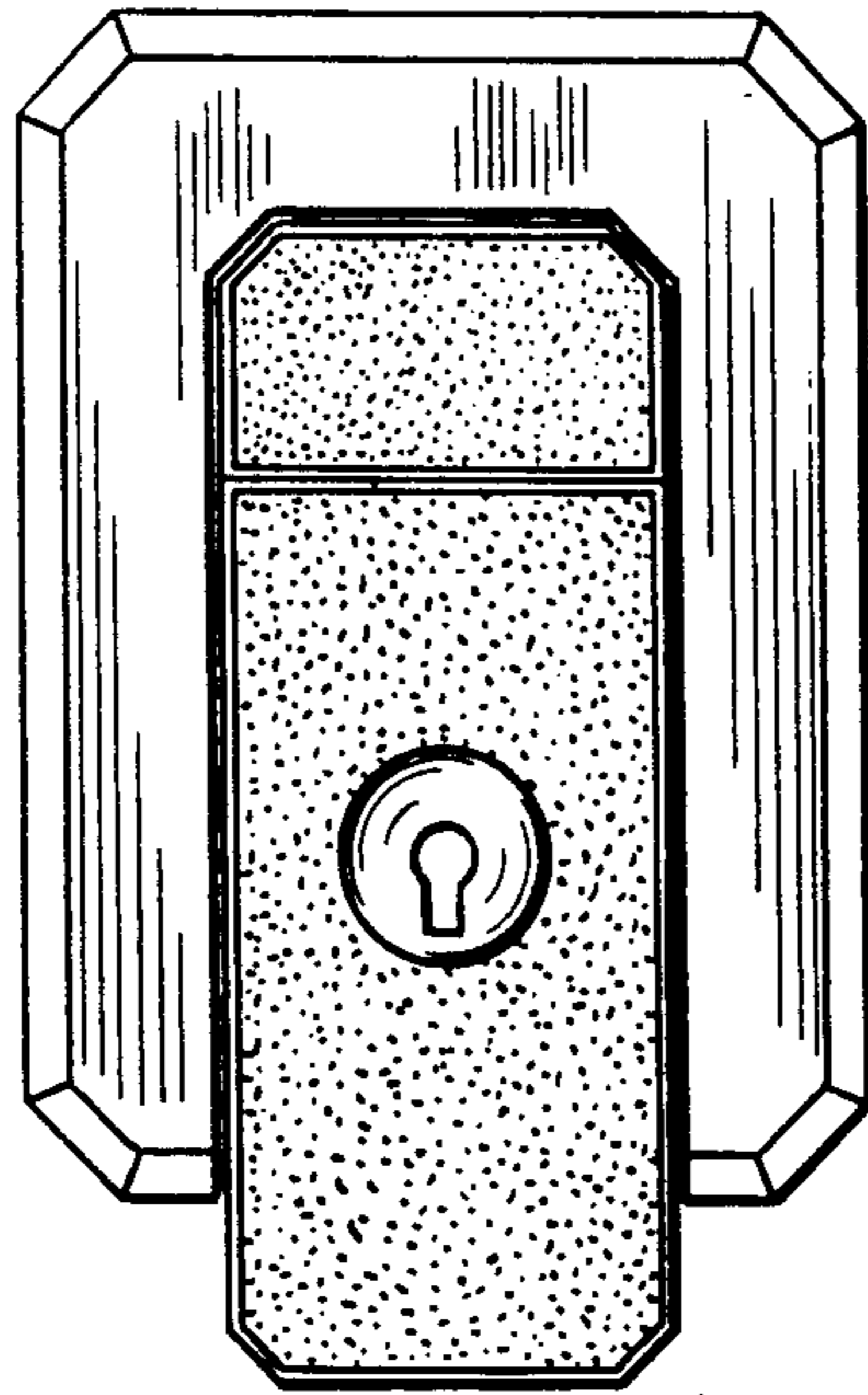


FIG. 1

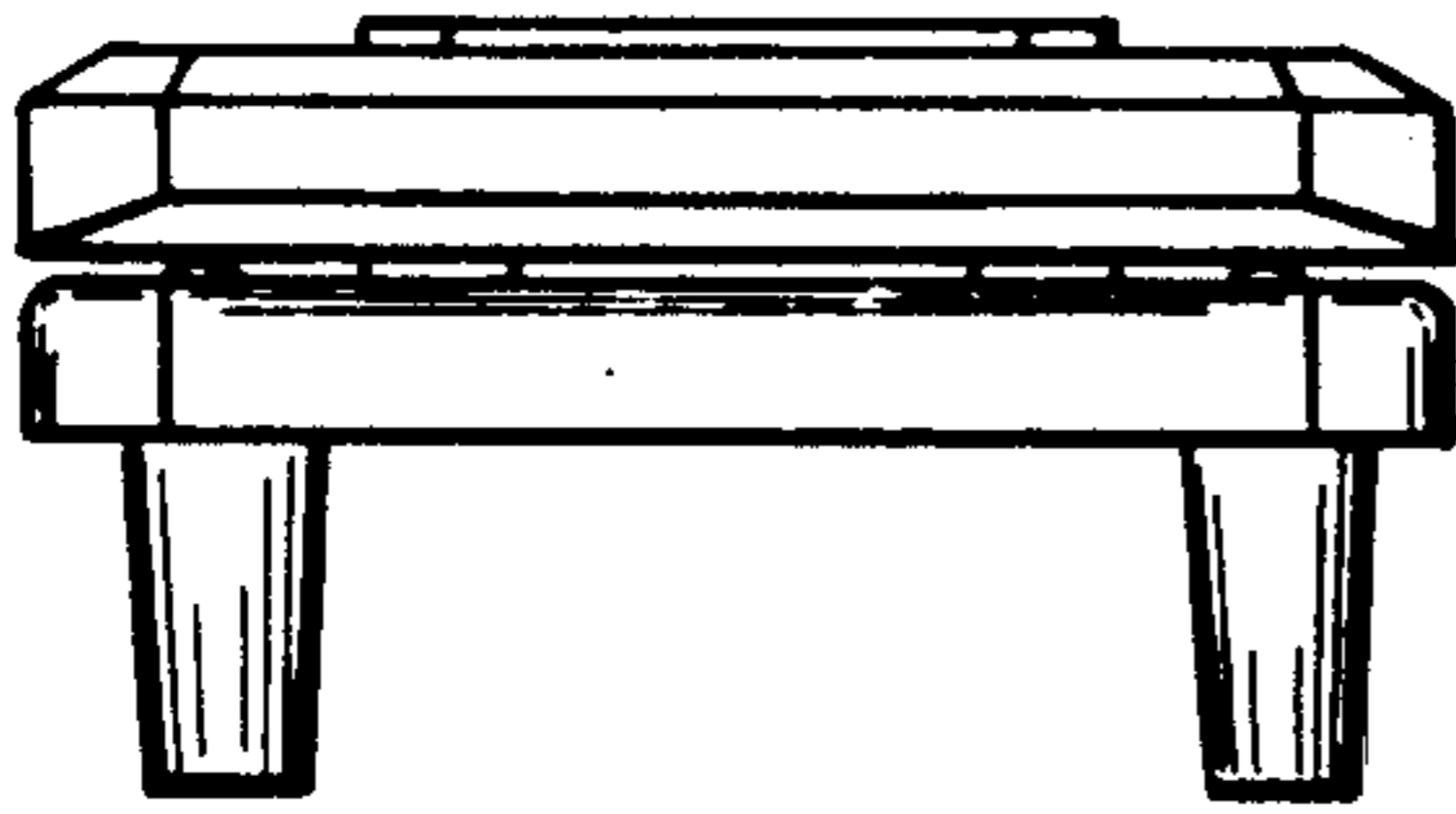


FIG. 2

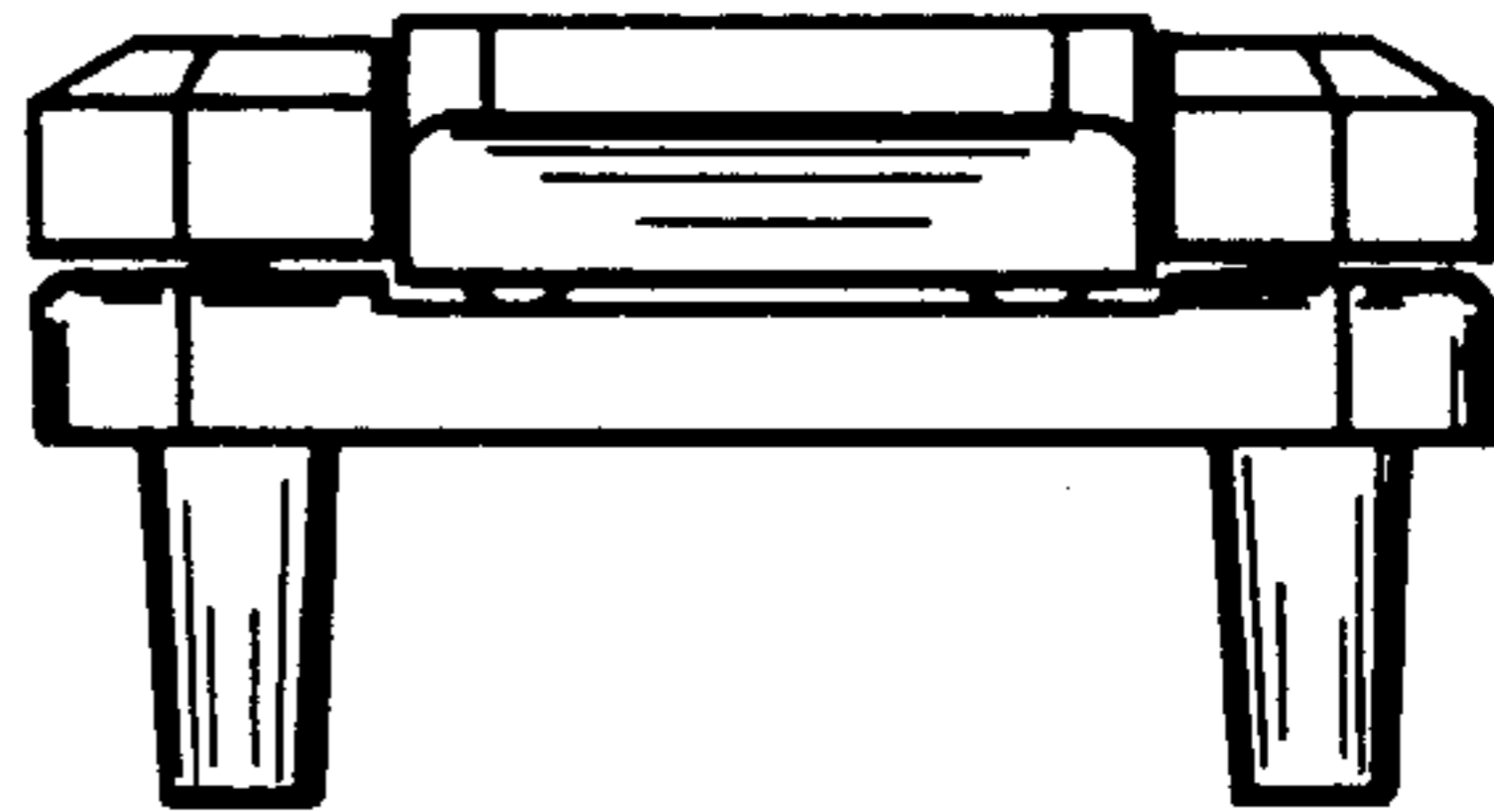


FIG. 3

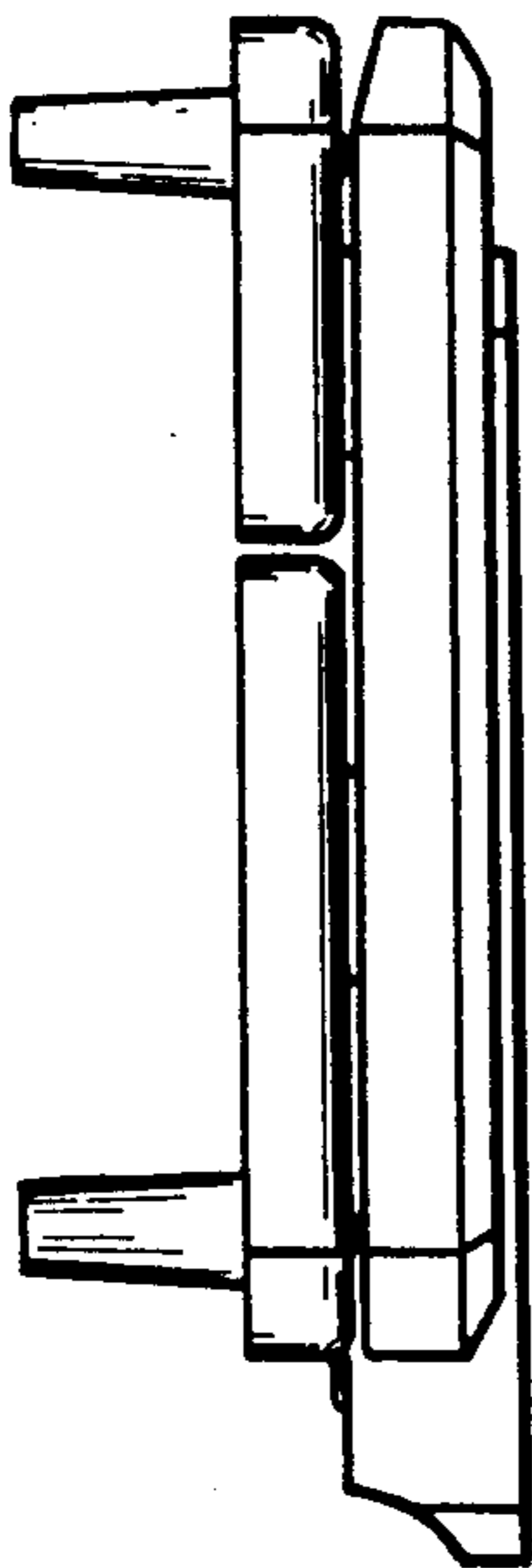


FIG. 4

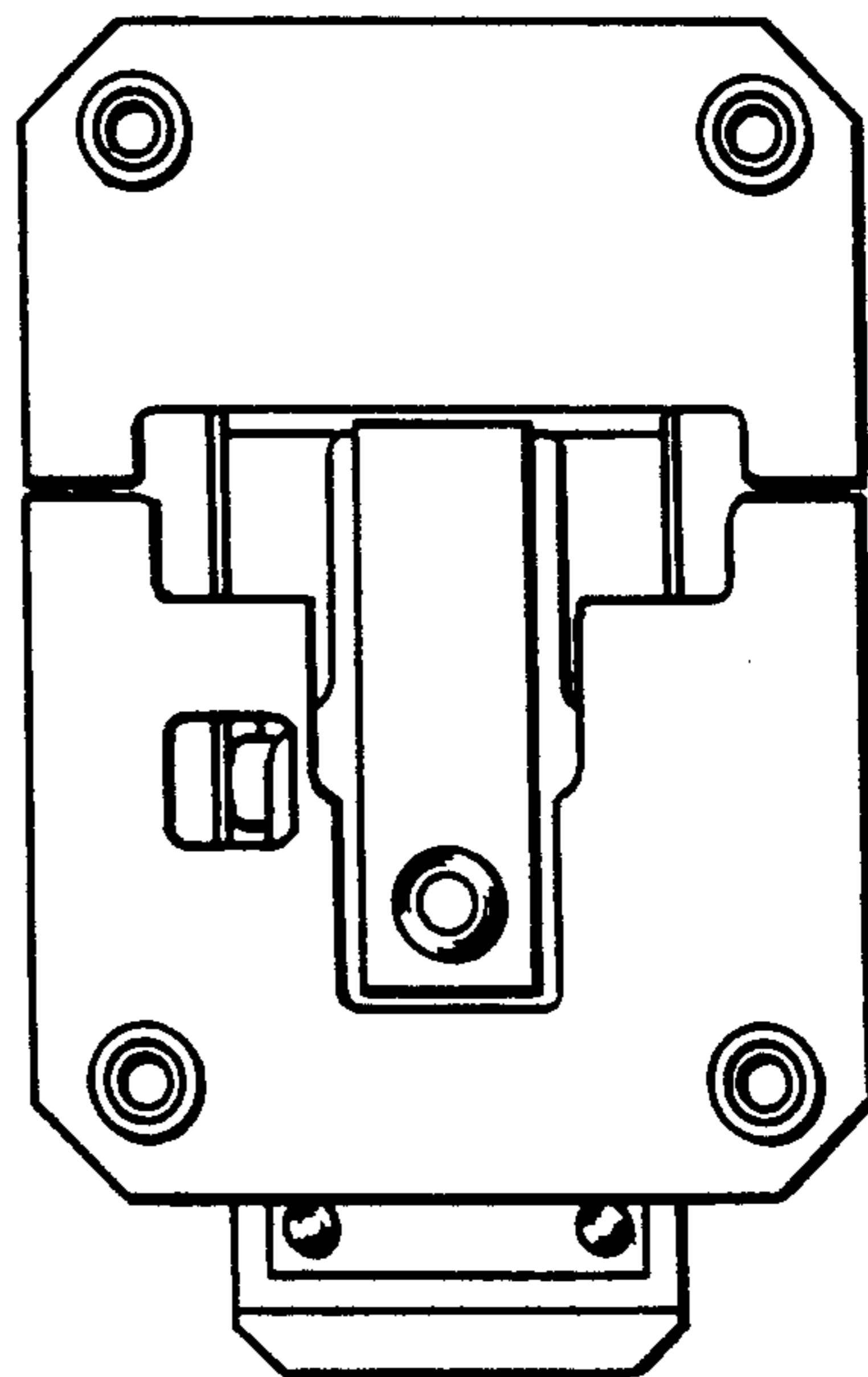


FIG. 5