

[54] **OPENING TOOL FOR TEAR-OPEN-TYPE CONTAINERS**

[75] Inventor: **Albert Frank Bujan, Waukegan, Ill.**

[73] Assignee: **Abbott Laboratories, North Chicago, Ill.**

[**] Term: **14 Years**

[21] Appl. No.: **709,758**

[22] Filed: **Jul. 29, 1976**

[51] Int. Cl. **D7-06**

[52] U.S. Cl. **D8/18; D8/40**

[58] Field of Search **81/3.34, 3.37, 3.4, 81/3.46 R, 3.46 A, 3.47, 3.48; D8/18, 16, 17, 40, 33**

[56] **References Cited**

U.S. PATENT DOCUMENTS

D. 238,477 1/1976 Dow **D8/40**
2,858,721 11/1958 Horne, Jr. **D8/18 X**

FOREIGN PATENT DOCUMENTS

1,921,501 4/1969 Fed. Rep. of Germany **81/3.34**
915,285 1/1963 United Kingdom **81/3.1 R**

Primary Examiner—Winifred E. Herrmann
Attorney, Agent, or Firm—Neil E. Hamilton

[57] **CLAIM**

The ornamental design for an opening tool for tear-open-type containers, substantially as shown and described.

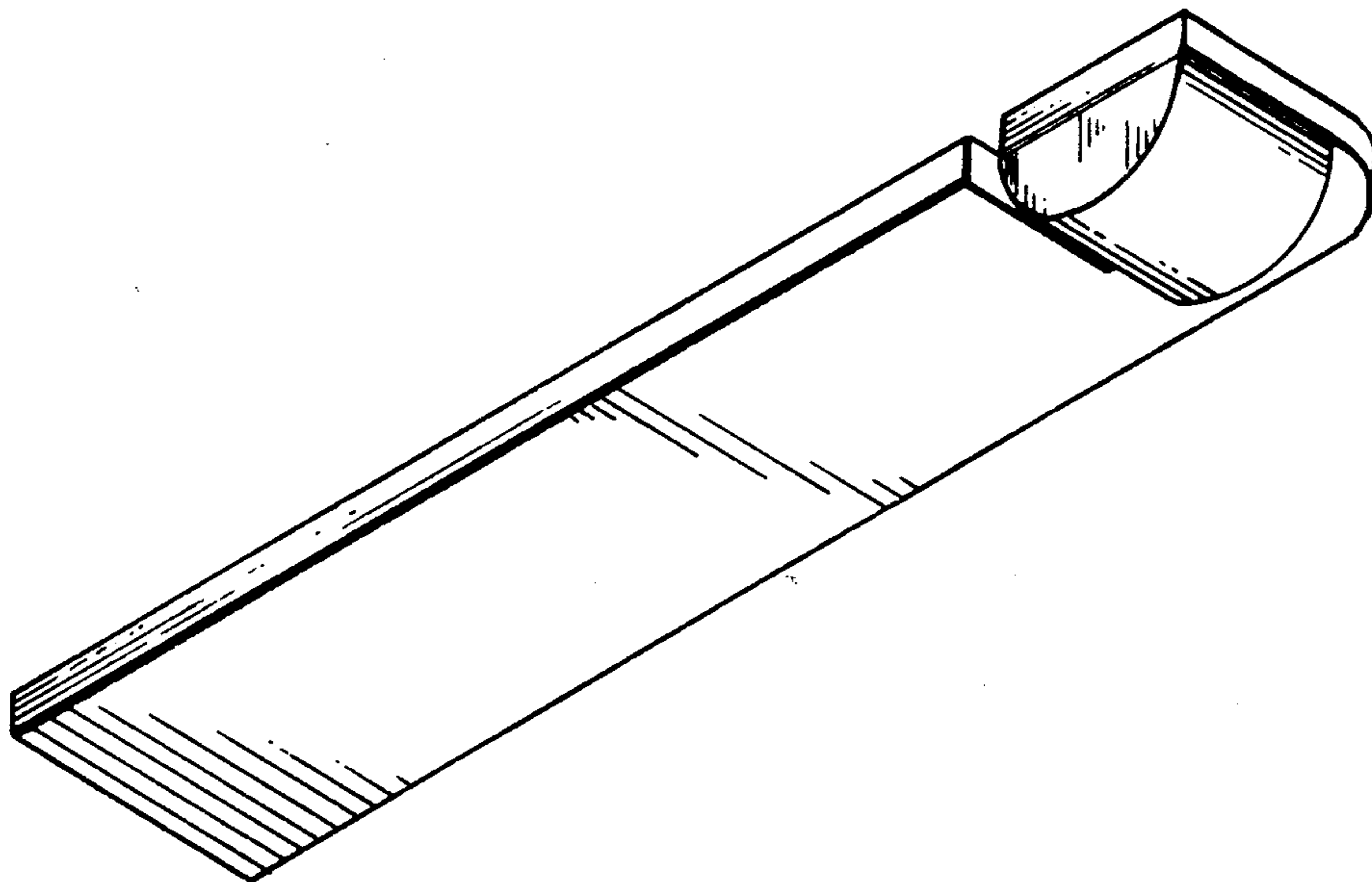
DESCRIPTION

FIG. 1 is a bottom perspective view of the opening tool for tear-open-type containers showing my new design; FIG. 2 is an elevational view of the side opposite that shown in FIG. 1;

FIG. 3 is an end elevational view on an enlarged scale taken along line 3-3 of FIG. 2;

FIG. 4 is an end elevational view on an enlarged scale taken along line 4-4 of FIG. 2; and

FIG. 5 is a top plan view thereof.



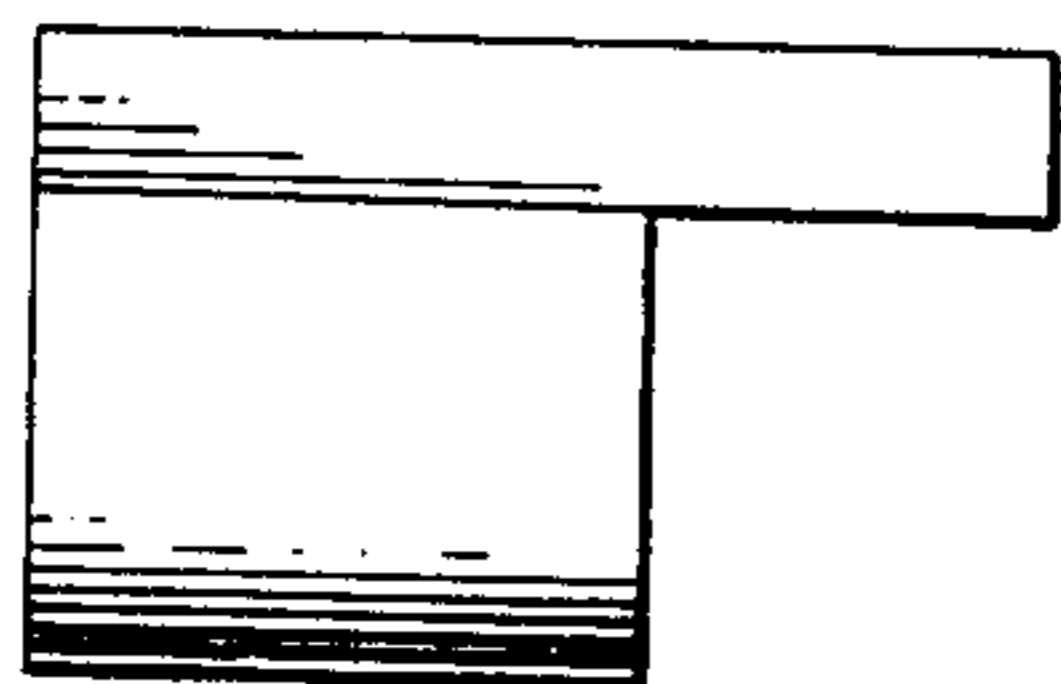


FIG. 3.

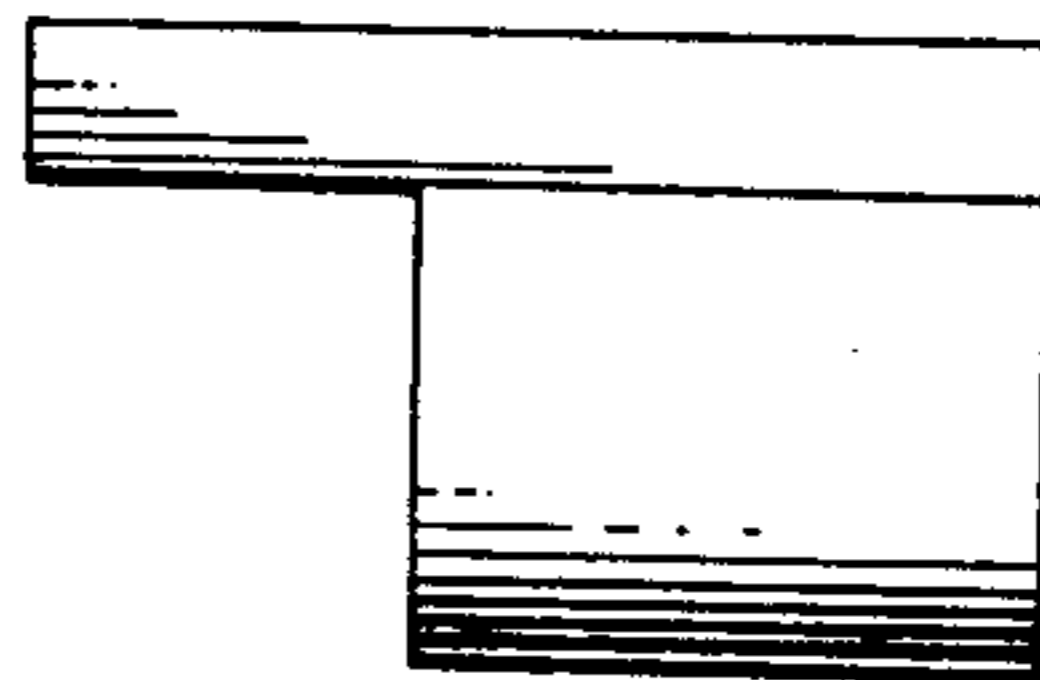


FIG. 4.

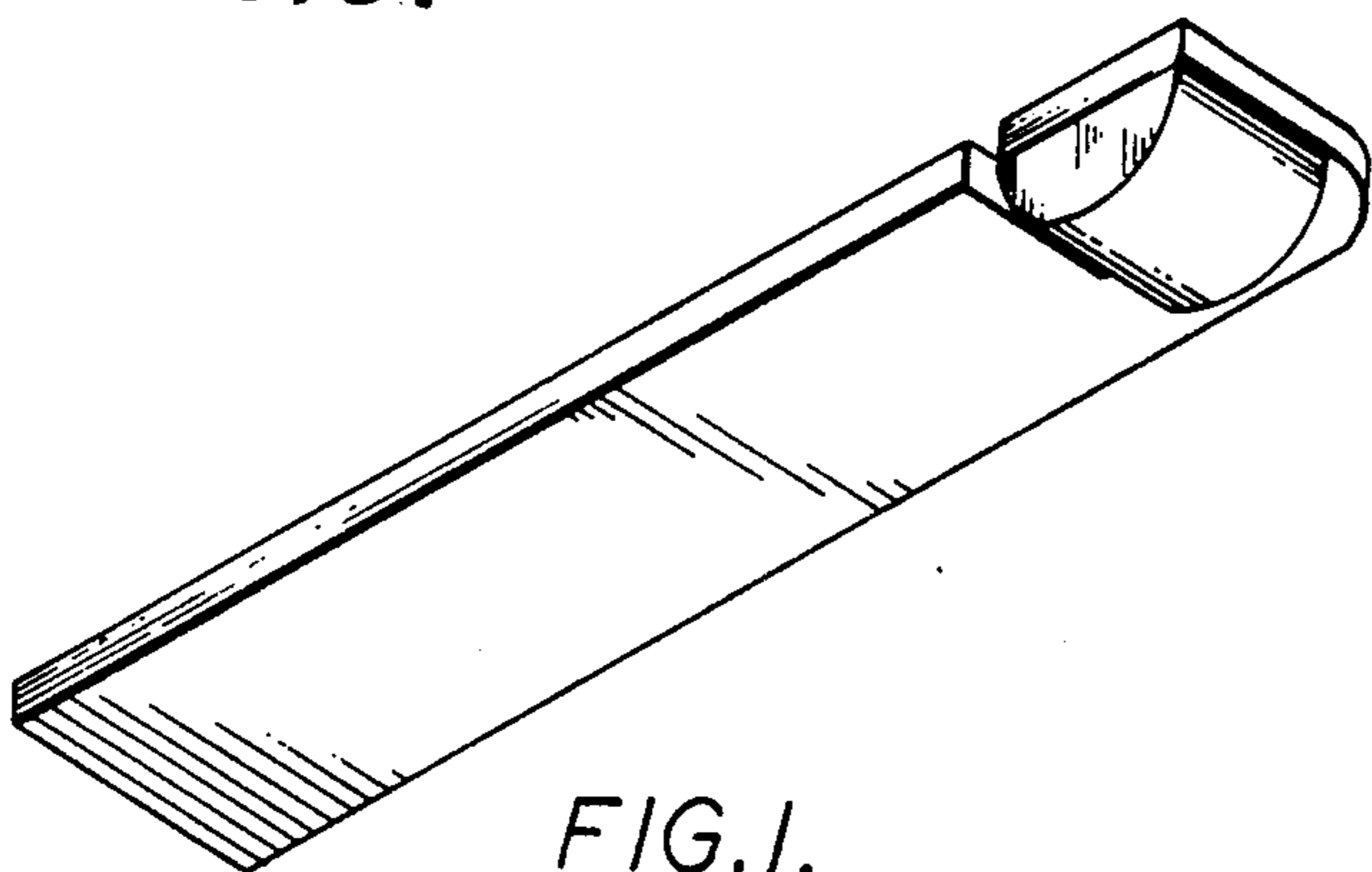


FIG. 1.

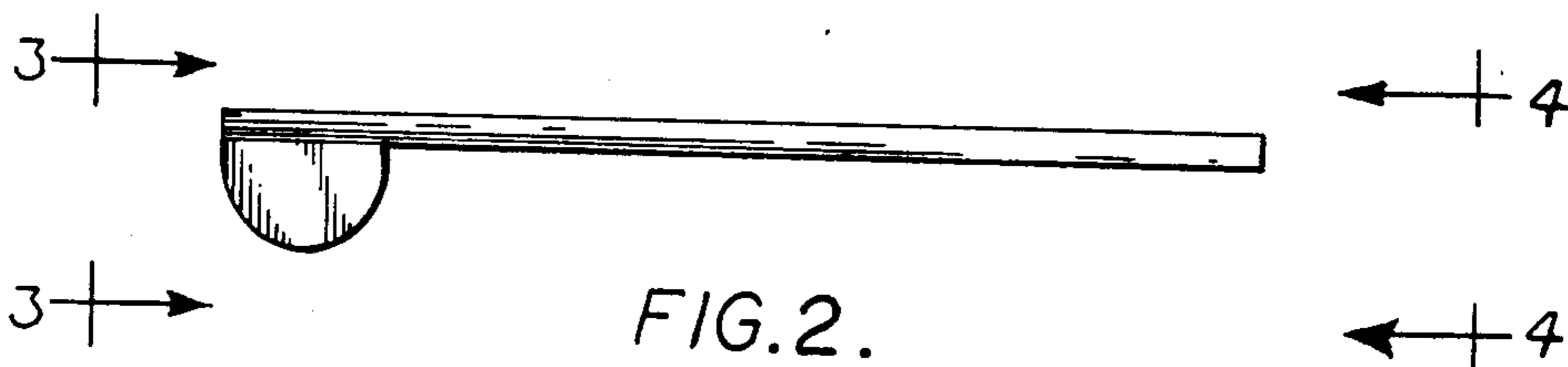


FIG. 2.



FIG. 5.