

[54] SANDWICH MAKER

[75] Inventors: Alfred W. Madl, Glendale; Charles J. Kirschling, Milwaukee, both of Wis.

[73] Assignee: Oster Corporation, Milwaukee, Wis.

[**] Term: 14 Years

[21] Appl. No.: 705,083

[22] Filed: Jul. 14, 1976

[51] Int. Cl. D7-02

[52] U.S. Cl. D7/94; D7/88; D7/95

[58] Field of Search D7/41, 99, 85, 86, 87, D7/88, 89, 90, 94, 95, 96, 97

[56] References Cited

U.S. PATENT DOCUMENTS

D. 87,896	10/1932	Wagner	D7/88
D. 194,336	1/1963	Cornwell	D7/94
D. 240,993	8/1976	Levin	D7/94
D. 246,149	10/1977	Levin	D7/94
3,007,595	11/1961	Remley	D7/88 X

OTHER PUBLICATIONS

Evans 1975, Cat., p. 328, Item B "Rival Pizelle Maker/Waffle Iron", 2nd down left column.

Primary Examiner—Winifred E. Herrmann
Attorney, Agent, or Firm—George R. Clark

[57] CLAIM

The ornamental design for a sandwich maker, as shown and described.

DESCRIPTION

FIG. 1 is a perspective view of a sandwich maker showing our new design;

FIG. 2 is a top plan view thereof;

FIG. 3 is a side elevational view thereof, the sandwich maker being symmetrical with respect to each side;

FIG. 4 is a front elevational view thereof;

FIG. 5 is a rear elevational view thereof; and

FIG. 6 is a fragmentary bottom plan view of one corner of the sandwich maker showing one of the four identical feet thereof.

The underside of the sandwich maker is planar rather than recessed as is the upper surface and, other than the four identical feet shown in FIGS. 1, 3, 4, 5 and 6, the underside of the sandwich maker, including the handle, is plain and unornamented.

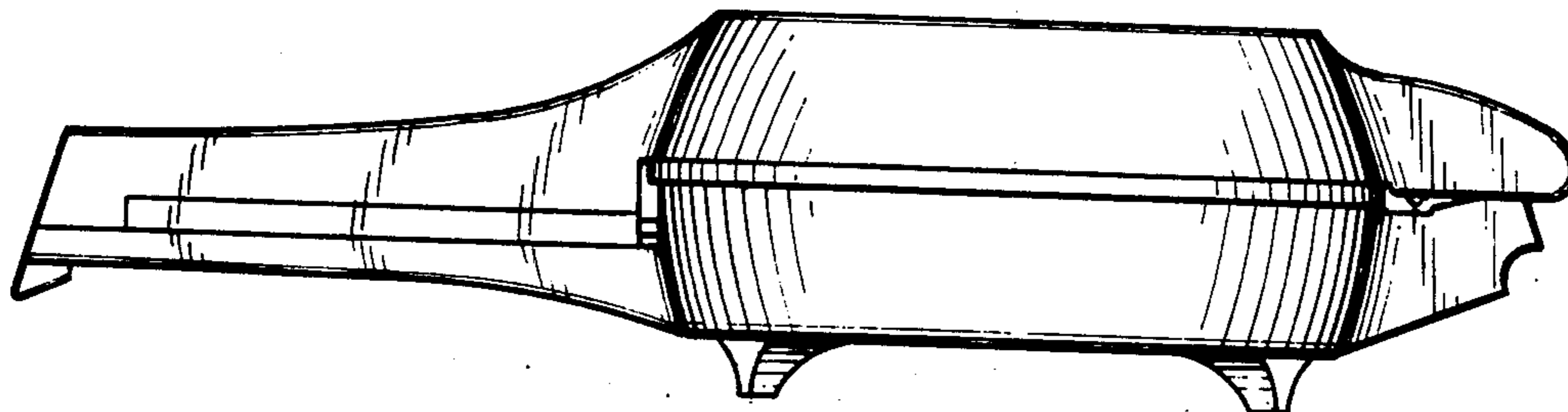
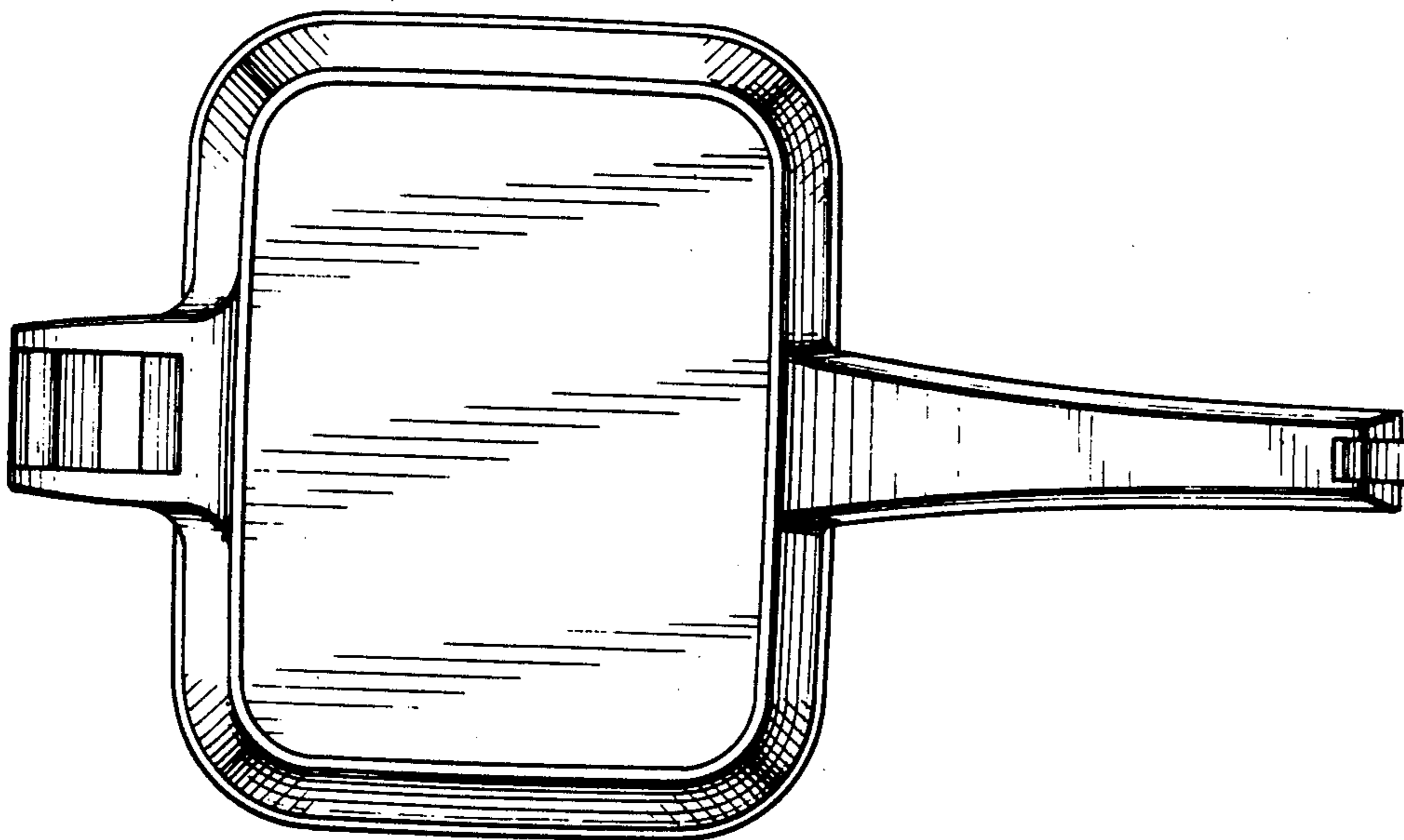


FIG. 1.

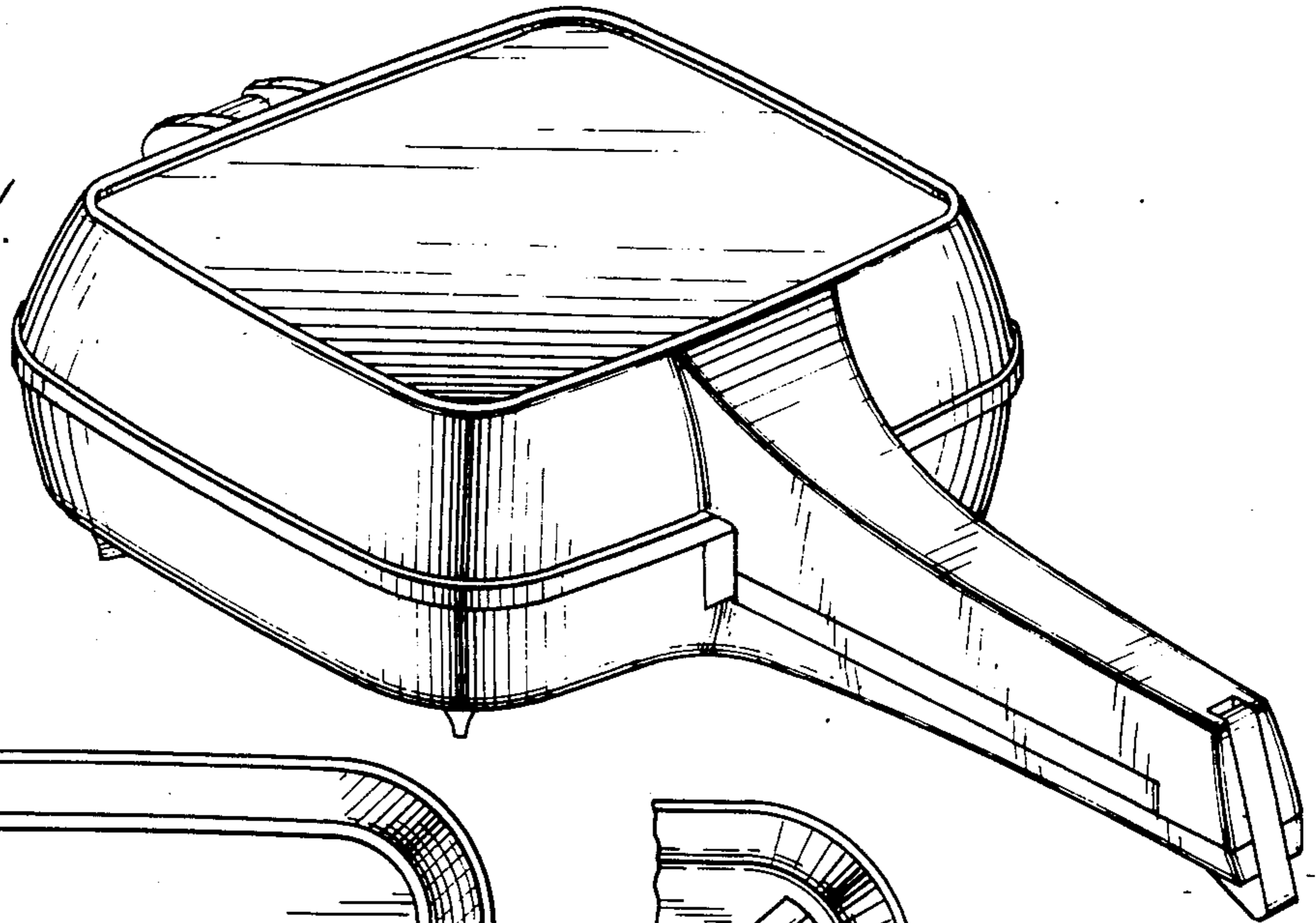


FIG. 2.

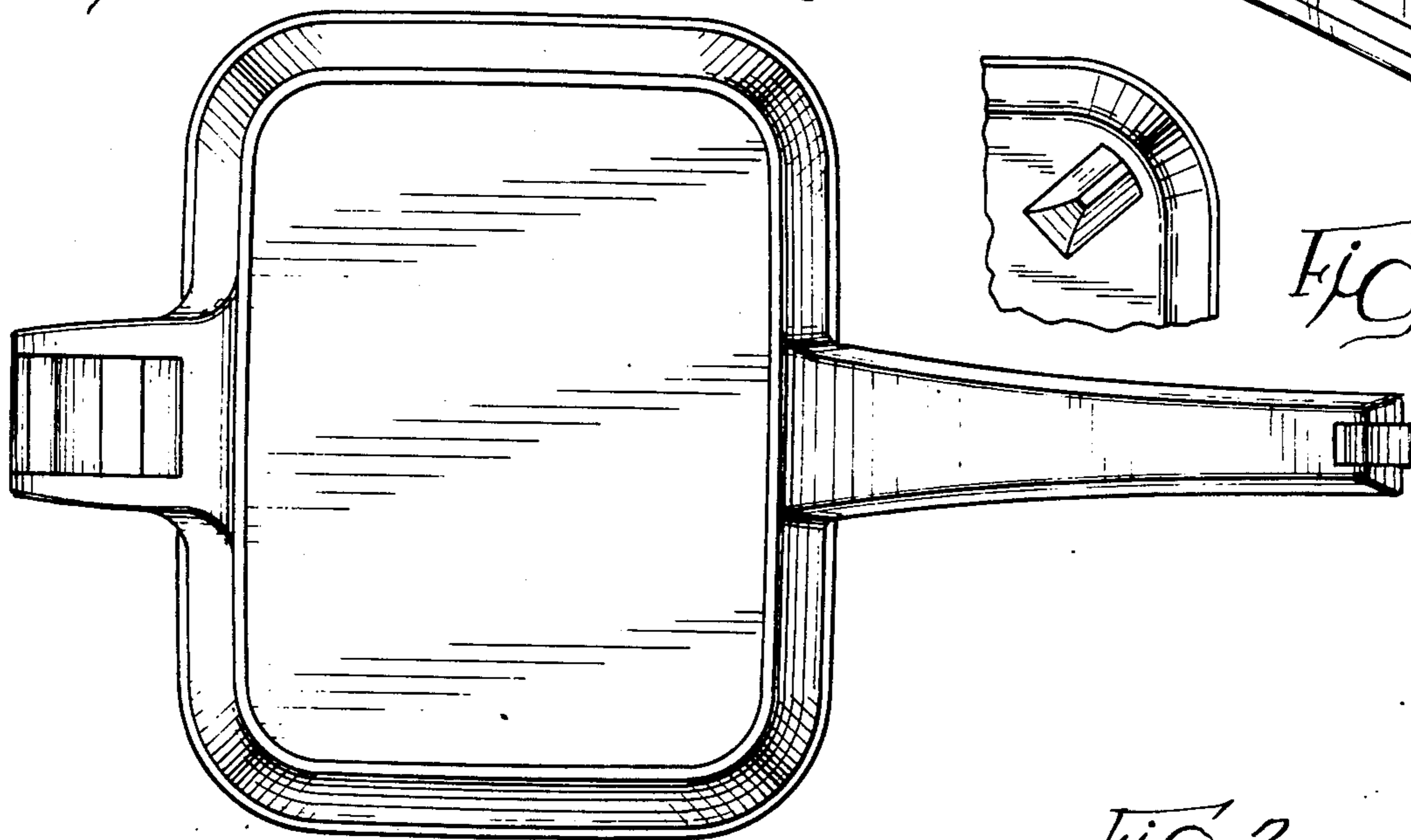


FIG. 6.

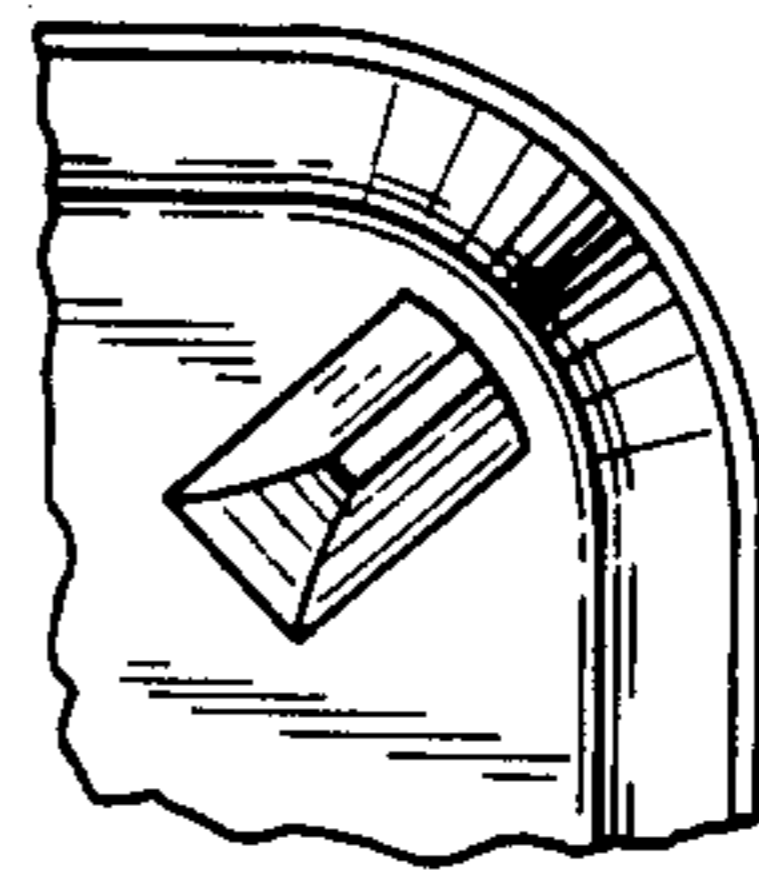


FIG. 3.

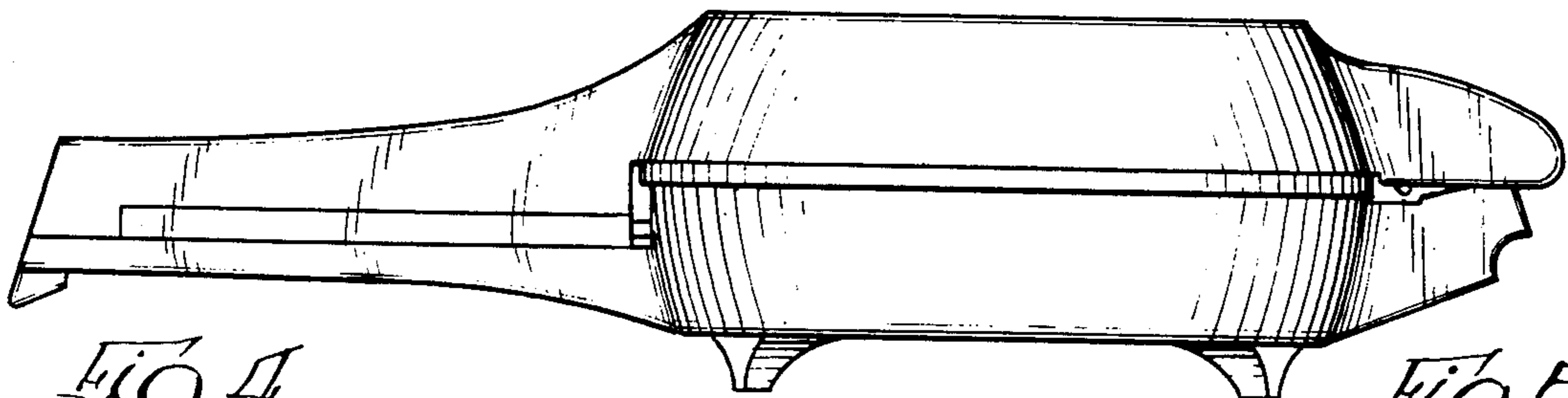


FIG. 4.

FIG. 5.

