

[54] JUICER

[75] Inventors: Noboru Fukumoto, Toyonaka; Shyusuke Inoue, Ibaraki, both of Japan

[73] Assignee: Matsushita Electric Industrial Co., Ltd., Kodoma, Japan

[**] Term: 14 Years

[21] Appl. No.: 711,082

[22] Filed: Aug. 2, 1976

[30] Foreign Application Priority Data

Feb. 4, 1976 [JP] Japan 51-3427

[51] Int. Cl. D7-04

[52] U.S. Cl. D7/49

[58] Field of Search D15/99, 111, 112; D7/48, 49, 154, 153, 158, 160

[56] References Cited

U.S. PATENT DOCUMENTS

D. 171,641 3/1954 Dodge D7/49
D. 226,345 2/1973 Greubel D7/49

3,134,414 5/1964 Winroth D7/154 X
3,186,458 6/1965 Takei et al. D7/49 X

OTHER PUBLICATIONS

Home Furnishings Daily, Mar. 2, 1961, p. 19, Electric Juicerator, Acme Juicer Co.

Primary Examiner—Winifred E. Herrmann
Attorney, Agent, or Firm—Michael N. Meller

[57] CLAIM

The ornamental design for a juicer, as shown and described.

DESCRIPTION

FIG. 1 is a front, top and right side perspective view of a juicer showing our new design, FIG. 2 is a rear elevational view, FIG. 3 is a bottom plan view, FIG. 4 is a front, top, and right side perspective view thereof with the top cover removed for purposes of illustration; FIG. 5 is a right side elevational view thereof, the left side being a mirror image thereof; and FIG. 6 is a top plan view of FIG. 4.

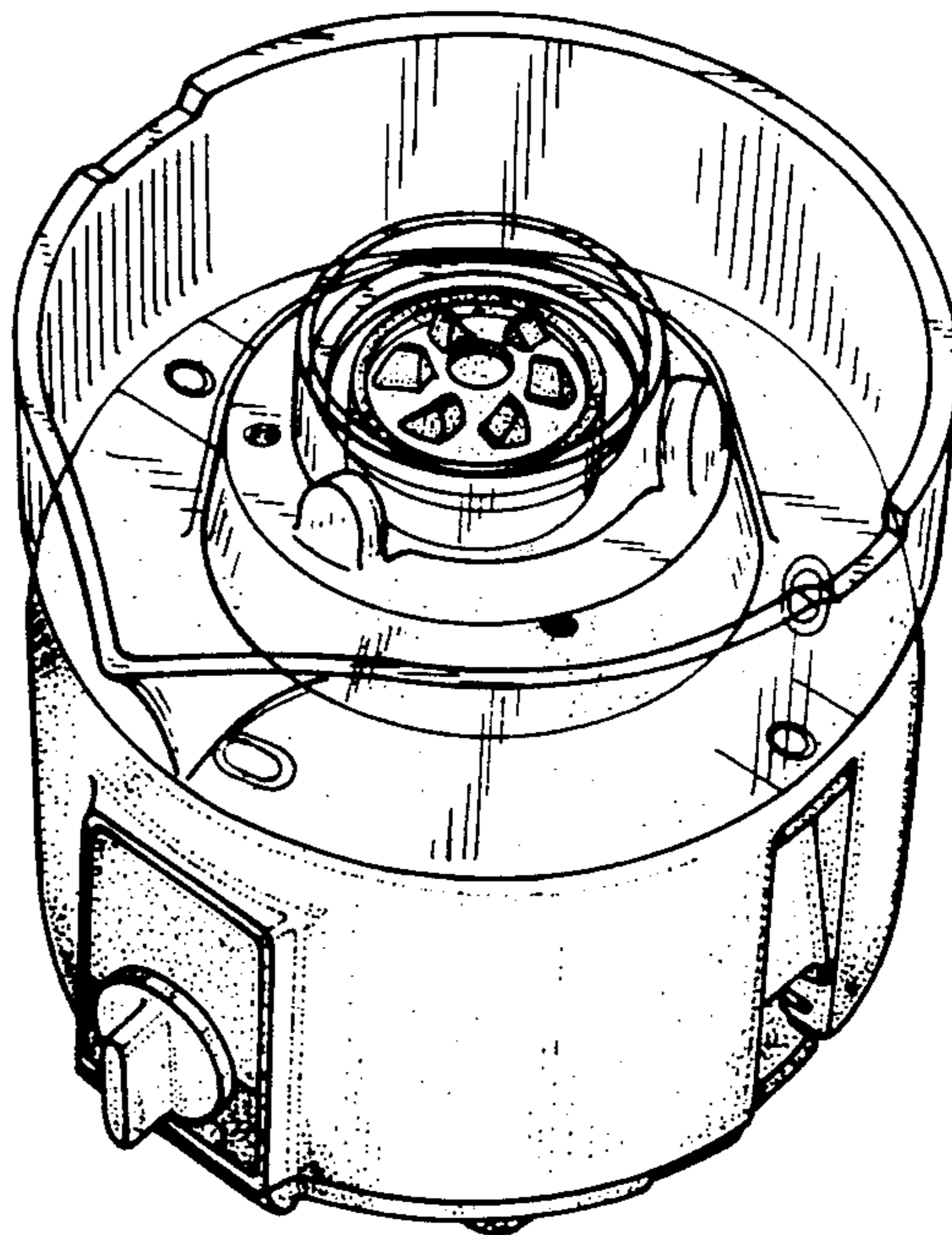
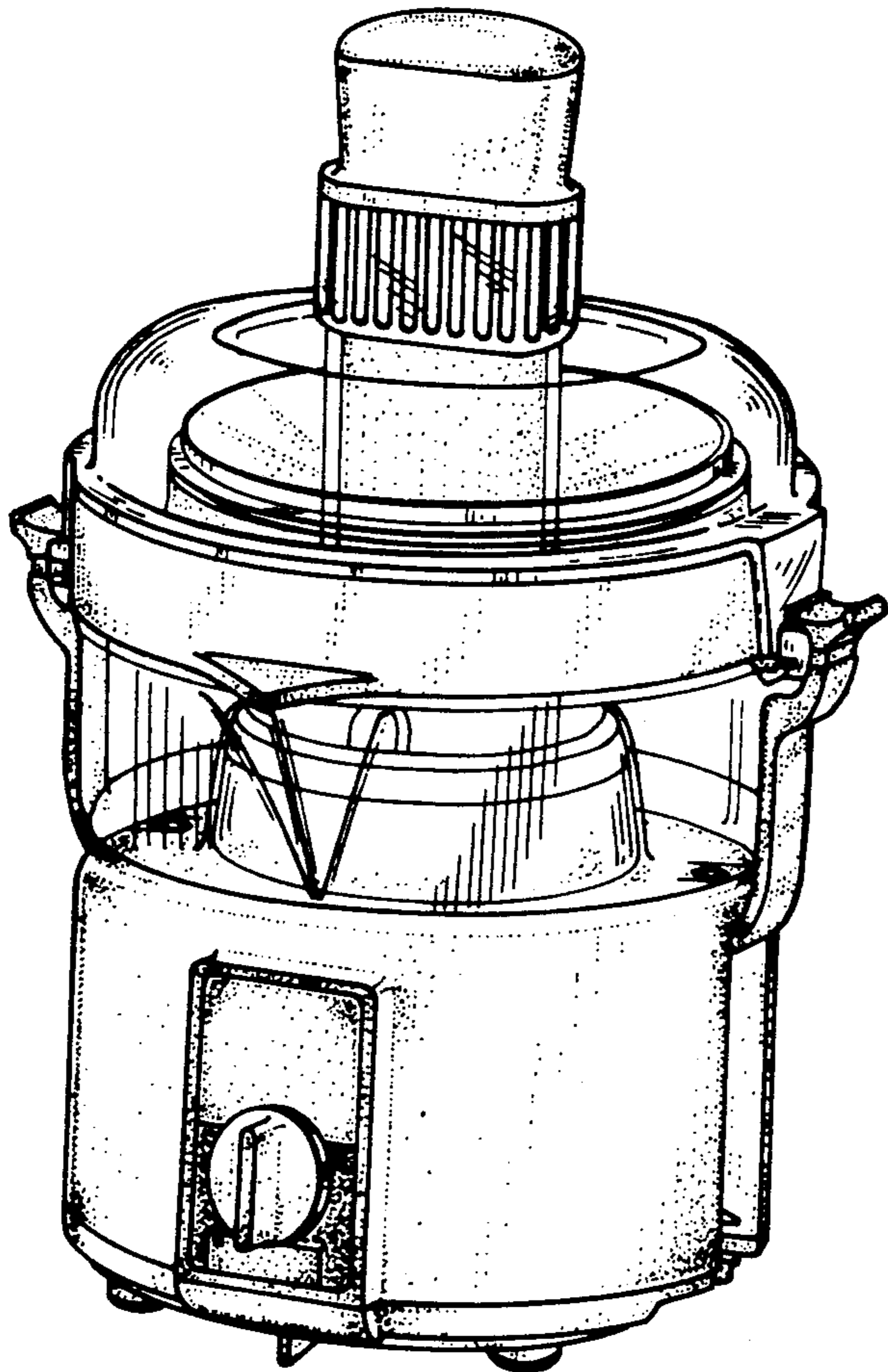


FIG. 1

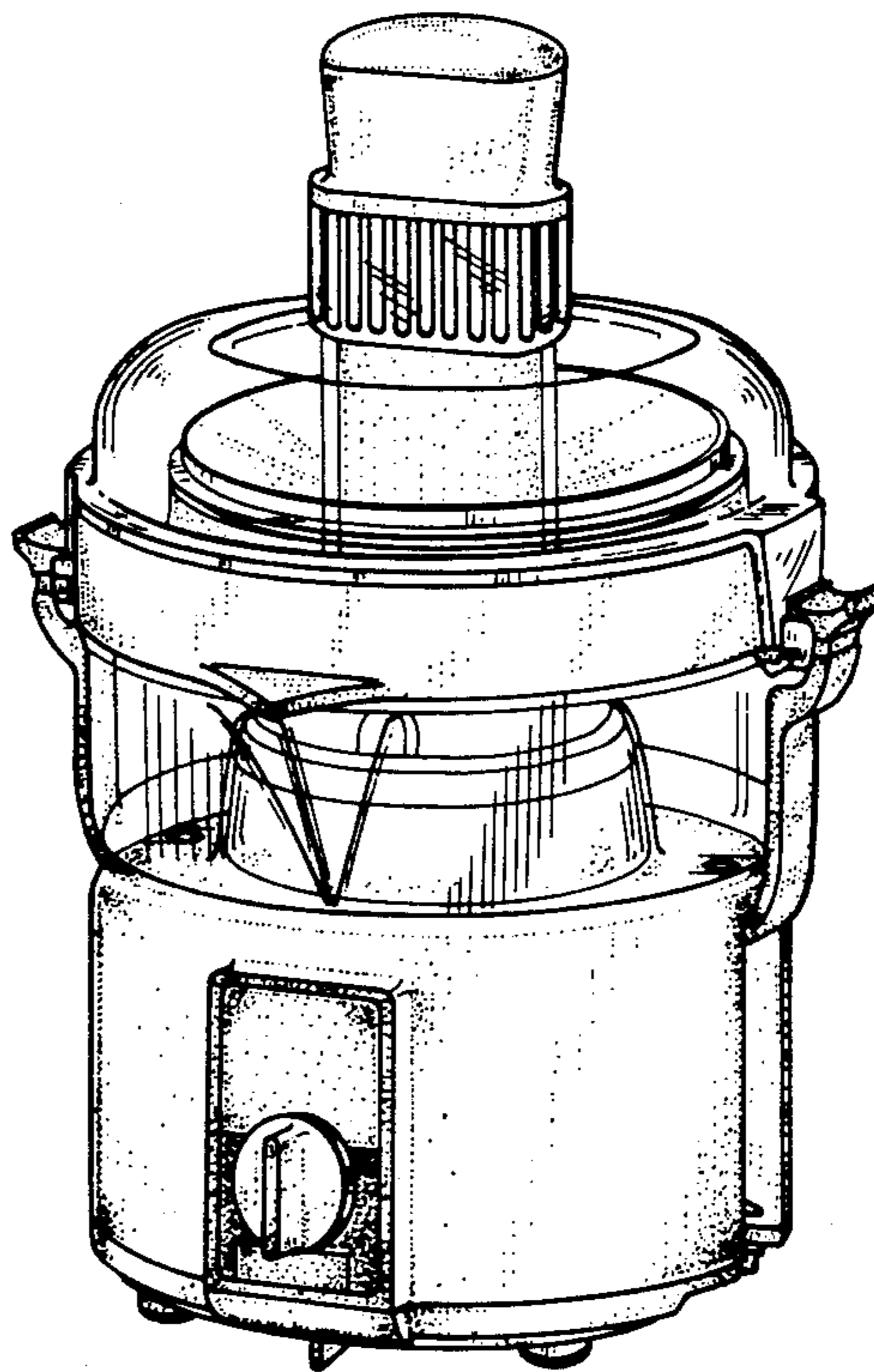


FIG. 2

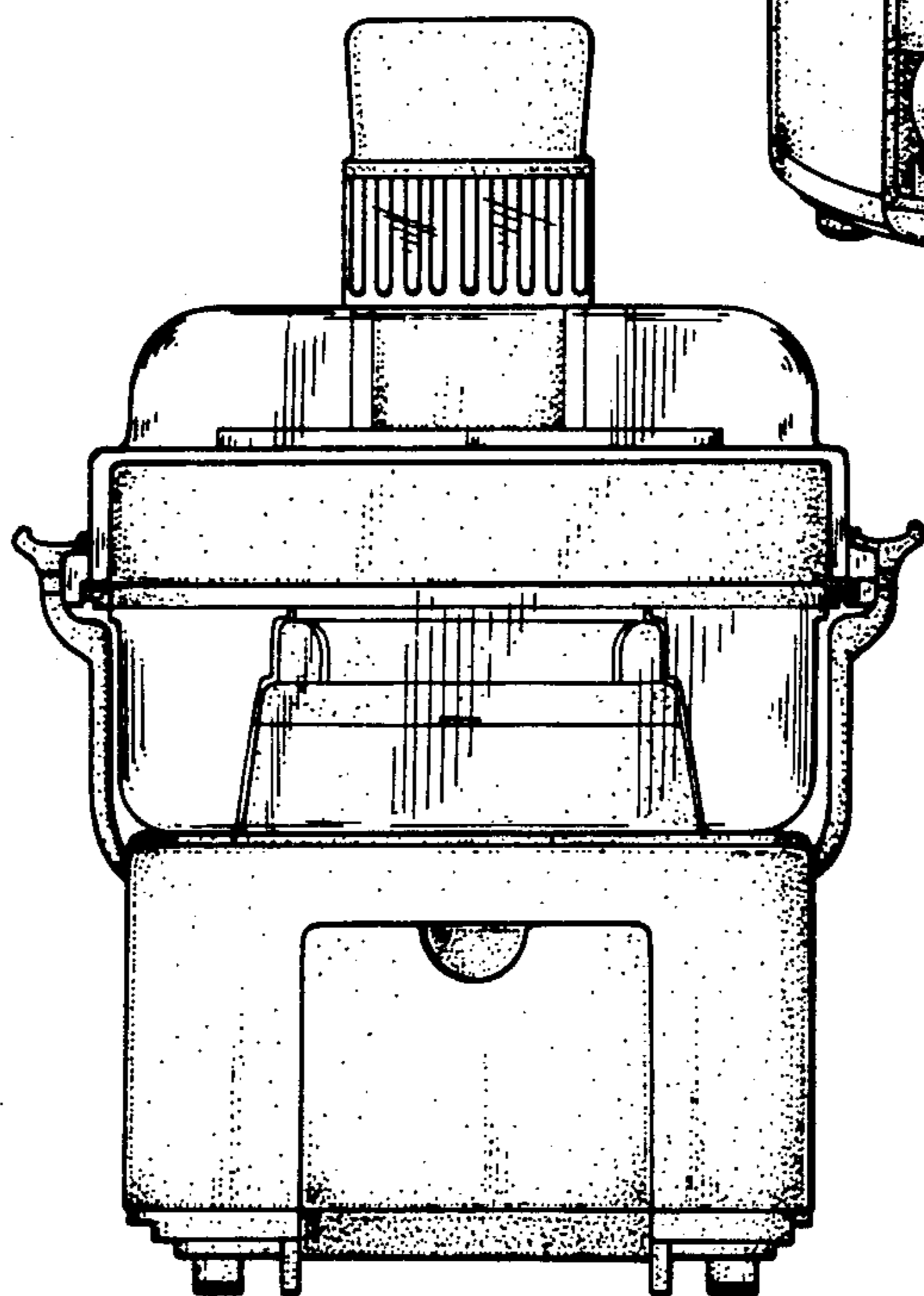


FIG. 3

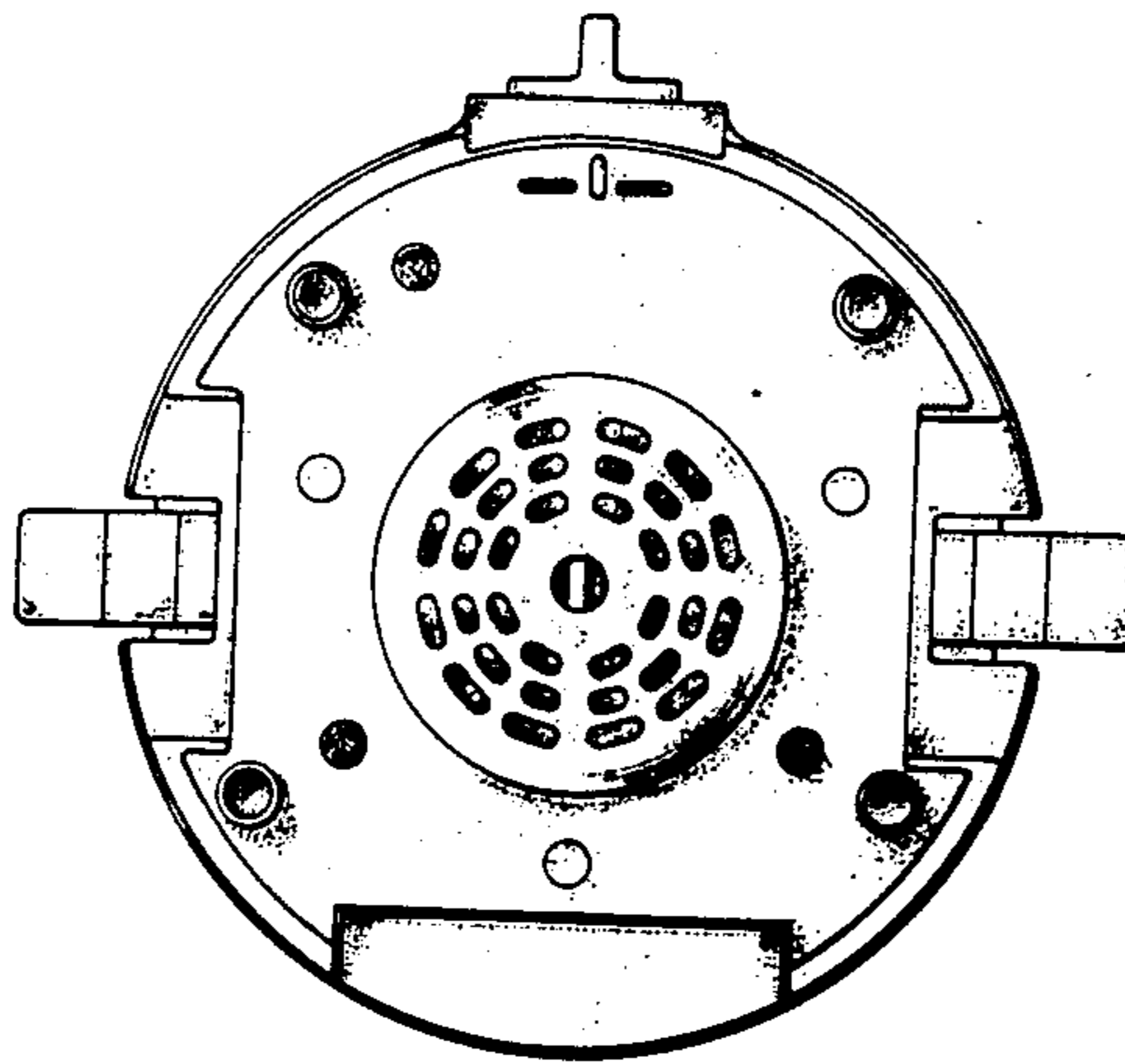


FIG. 4

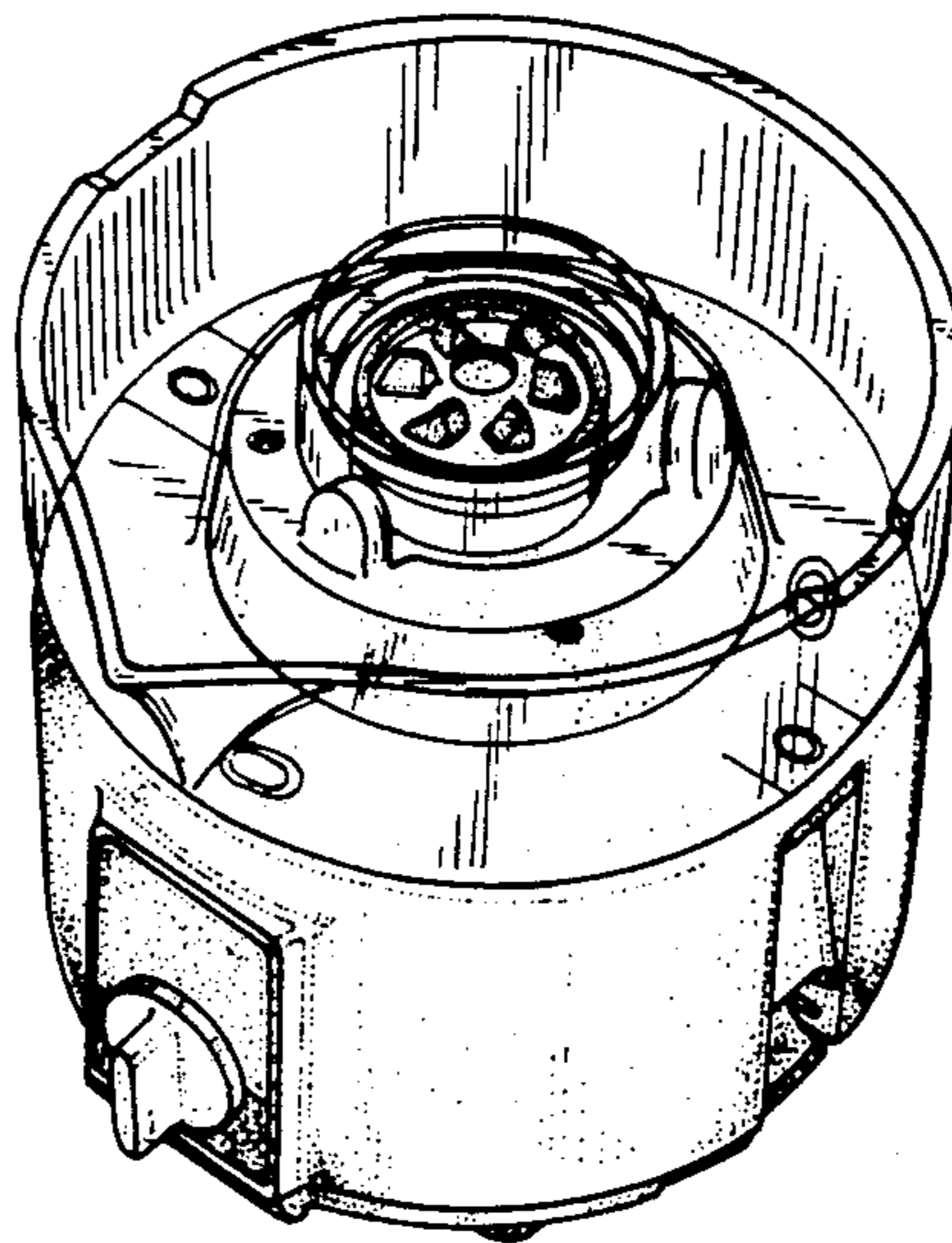


FIG. 5

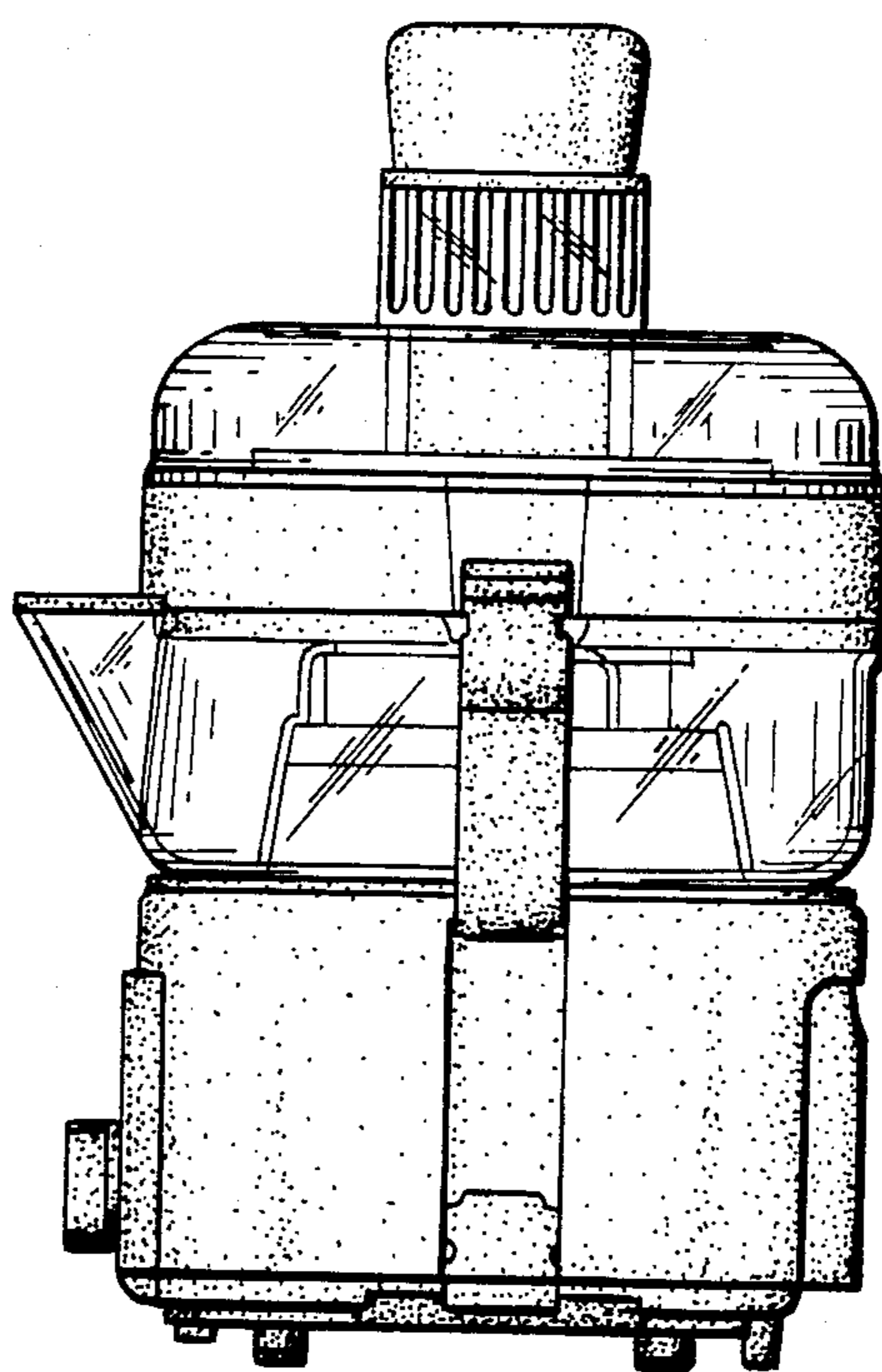


FIG. 6

