

- [54] **BATTERY OPERATED PRESS FOR COOKIES OR THE LIKE**
- [76] Inventor: **John S. Doyel**, 404 W. 20th St., New York, N.Y. 10011
- [**] Term: **14 Years**
- [21] Appl. No.: **705,124**
- [22] Filed: **Jul. 14, 1976**
- [51] Int. Cl. **D7-04**
- [52] U.S. Cl. **D7/43; D7/99; 425/183**
- [58] Field of Search **D7/43, 99; D19/74; 425/190, 183, 192**

[56] **References Cited**

U.S. PATENT DOCUMENTS

D. 110,849	8/1938	Petzelt	D7/43
D. 153,690	5/1949	Jones	D7/43
2,927,543	3/1960	Sherbondy	425/190

3,262,404 7/1966 Morz et al. 425/183

OTHER PUBLICATIONS

Home Furnishings Daily, Sec. 2, Mar. 25, 1976, p. 15 "Wear-Ever Super Shooter" Electric Cookie Maker.

Primary Examiner—Winifred E. Herrmann
Attorney, Agent, or Firm—Lester W. Clark

[57] **CLAIM**

The ornamental design for a battery operated press for cookies or the like, as shown and described.

DESCRIPTION

FIG. 1 is a side perspective view of a battery operated press for cookies or the like showing my new design.
 FIG. 2 is a front elevational view thereof.
 FIG. 3 is a side elevational view thereof.
 FIG. 4 is a back elevational view thereof.
 FIG. 5 is a top elevational view thereof.
 The bottom of the handle thereof or the cap member for the batteries is flat and unornamented.

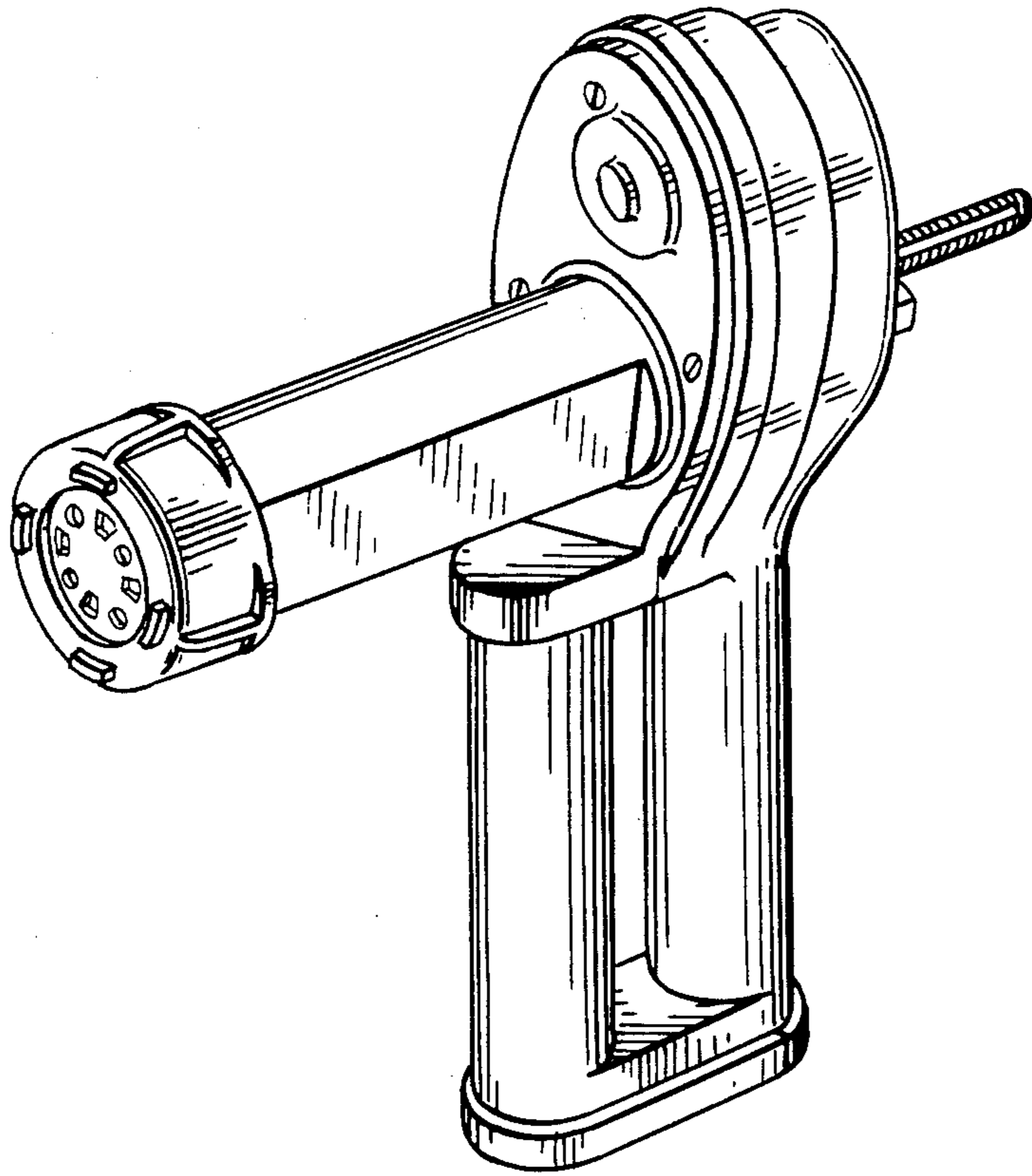


Fig. 1.

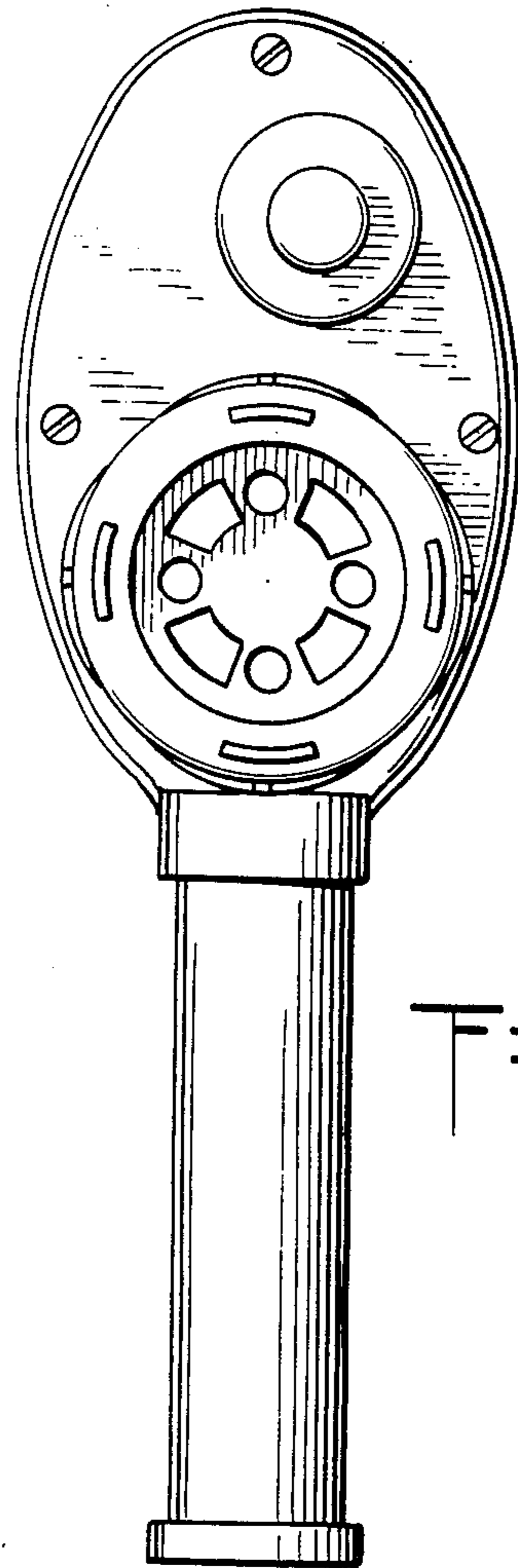
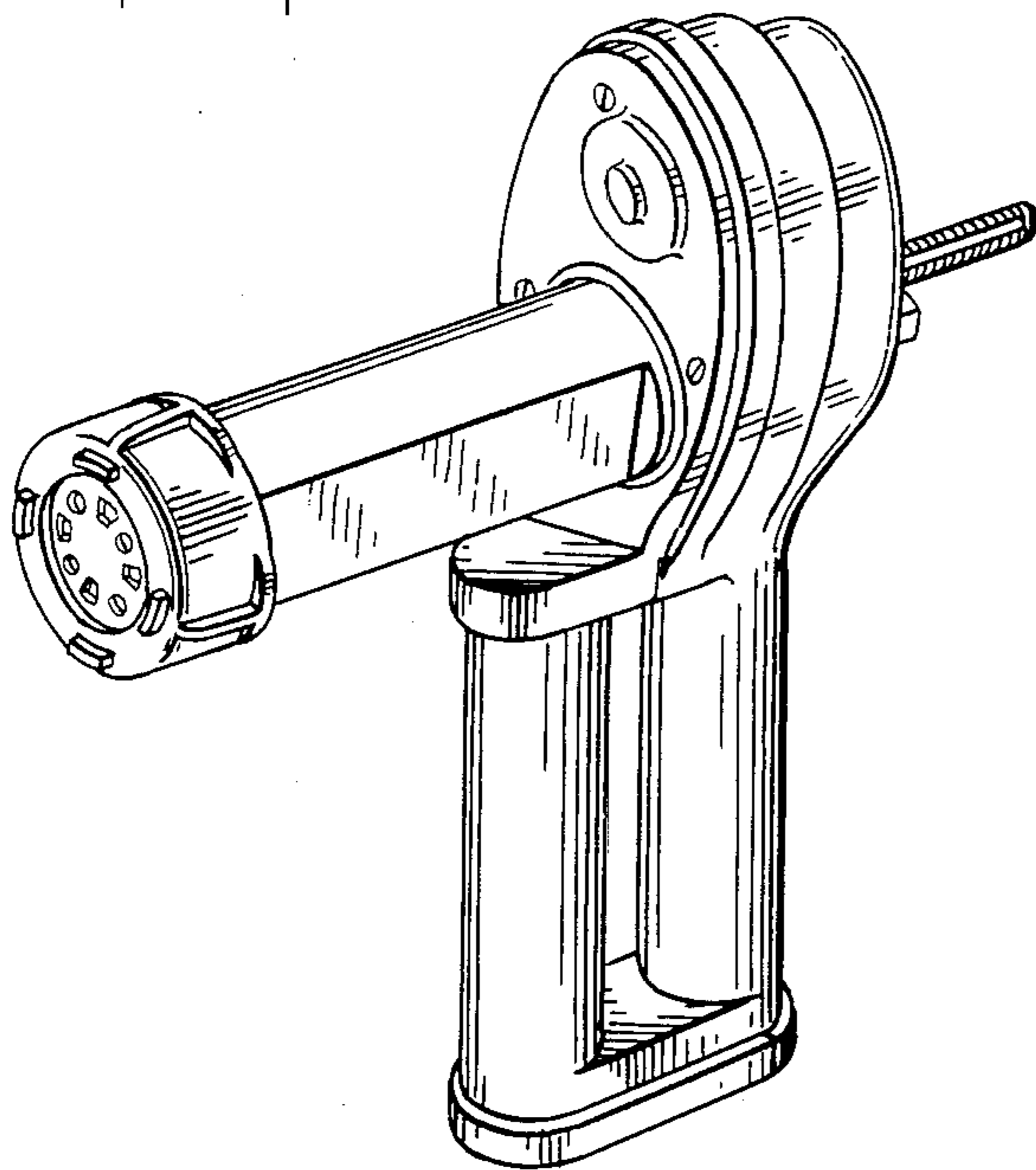


Fig. 2.

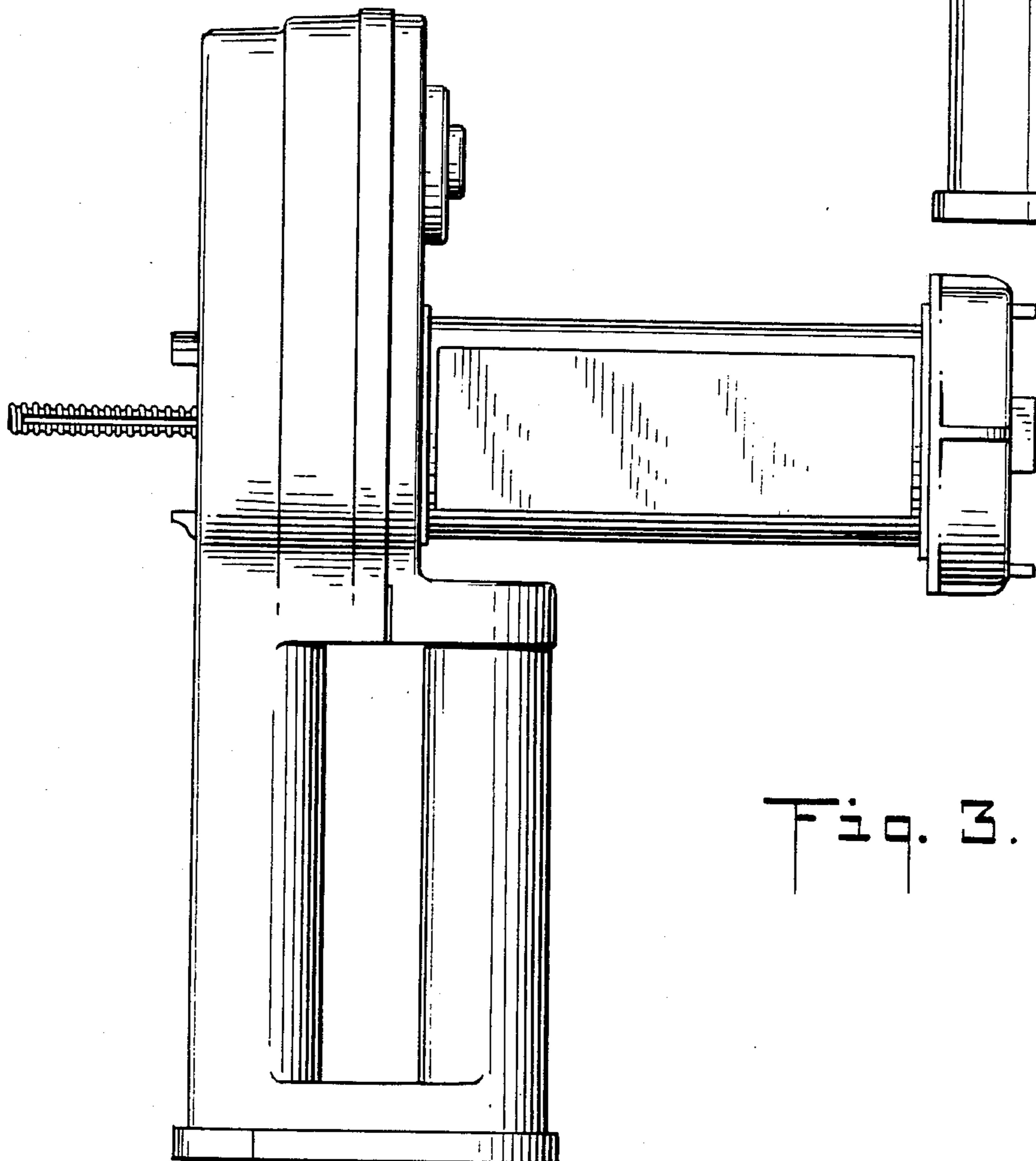


Fig. 3.

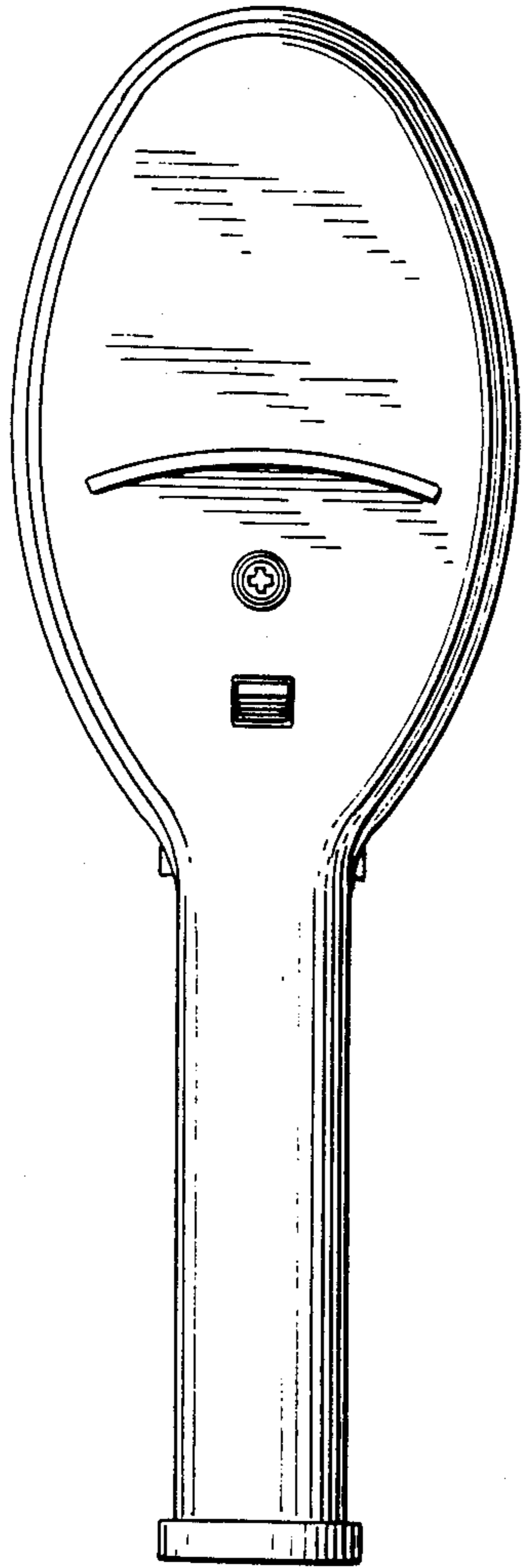


Fig. 4.

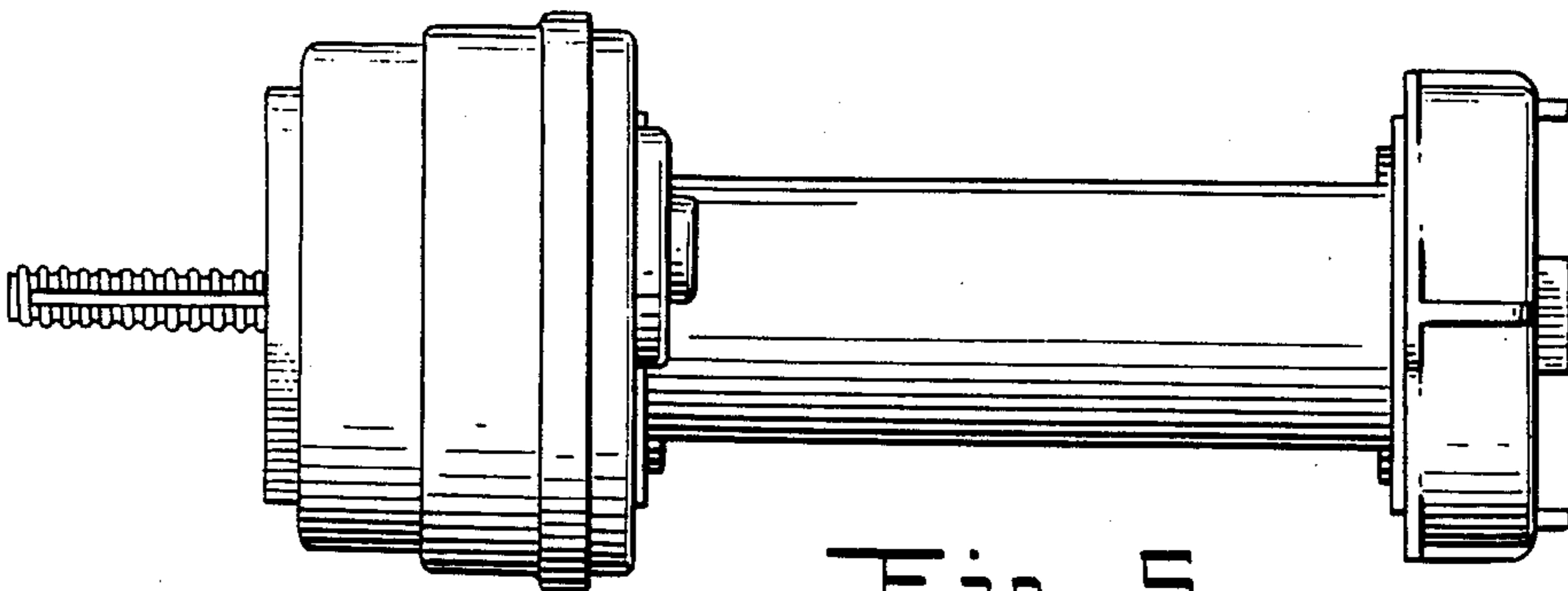


Fig. 5.