

[54] PICTURE HOLDER

[76] Inventor: Richard K. Ishmael, 31 Alta Vista Way, San Rafael, Calif. 94901

[**] Term: 14 Years

[21] Appl. No.: 707,332

[22] Filed: Jul. 21, 1976

[51] Int. Cl. D6-07

[52] U.S. Cl. D6/233

[58] Field of Search D11/132-140; D6/232-246; D19/20; D28/65-72; D96/9, 10, 12 E, 12 J; 40/152, 152.1, 154, 152.2, 158 A

[56] References Cited

U.S. PATENT DOCUMENTS

D. 65,864 10/1924 McKay D6/233

D. 179,548 1/1957 Olson D19/20
1,379,612 5/1921 Bayer D6/235
2,088,944 8/1937 Young et al. 40/152

Primary Examiner—Joel Stearman
Assistant Examiner—C. A. Rademaker
Attorney, Agent, or Firm—Alfons Puishes

[57] CLAIM

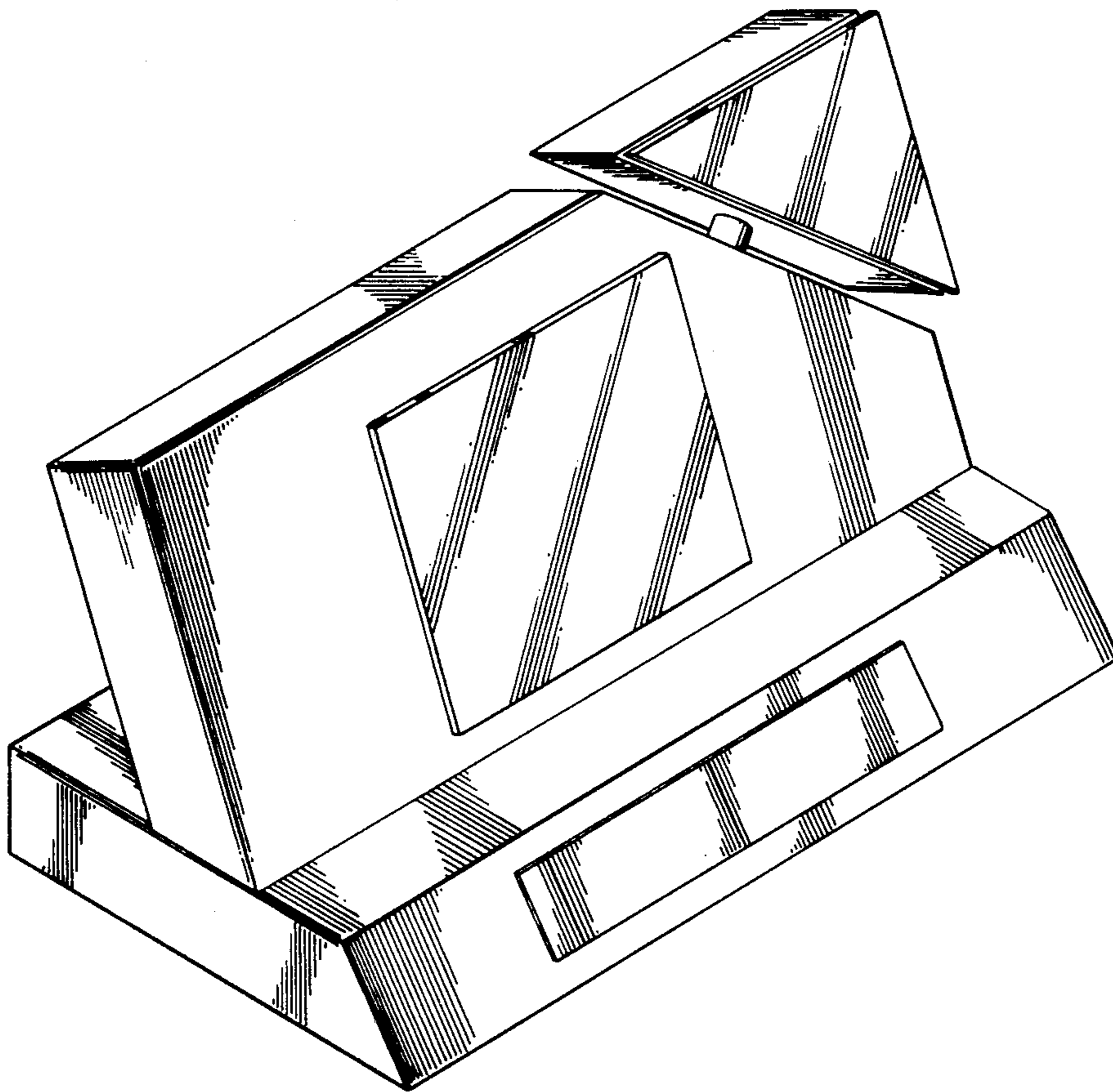
The ornamental design for a picture holder, as shown and described.

DESCRIPTION

FIG. 1 is a front perspective view of the picture holder showing my new design.

FIG. 2 is a rear perspective view of the picture holder of FIG. 1.

FIG. 3 is an end elevational view of the picture holder of FIG. 1.



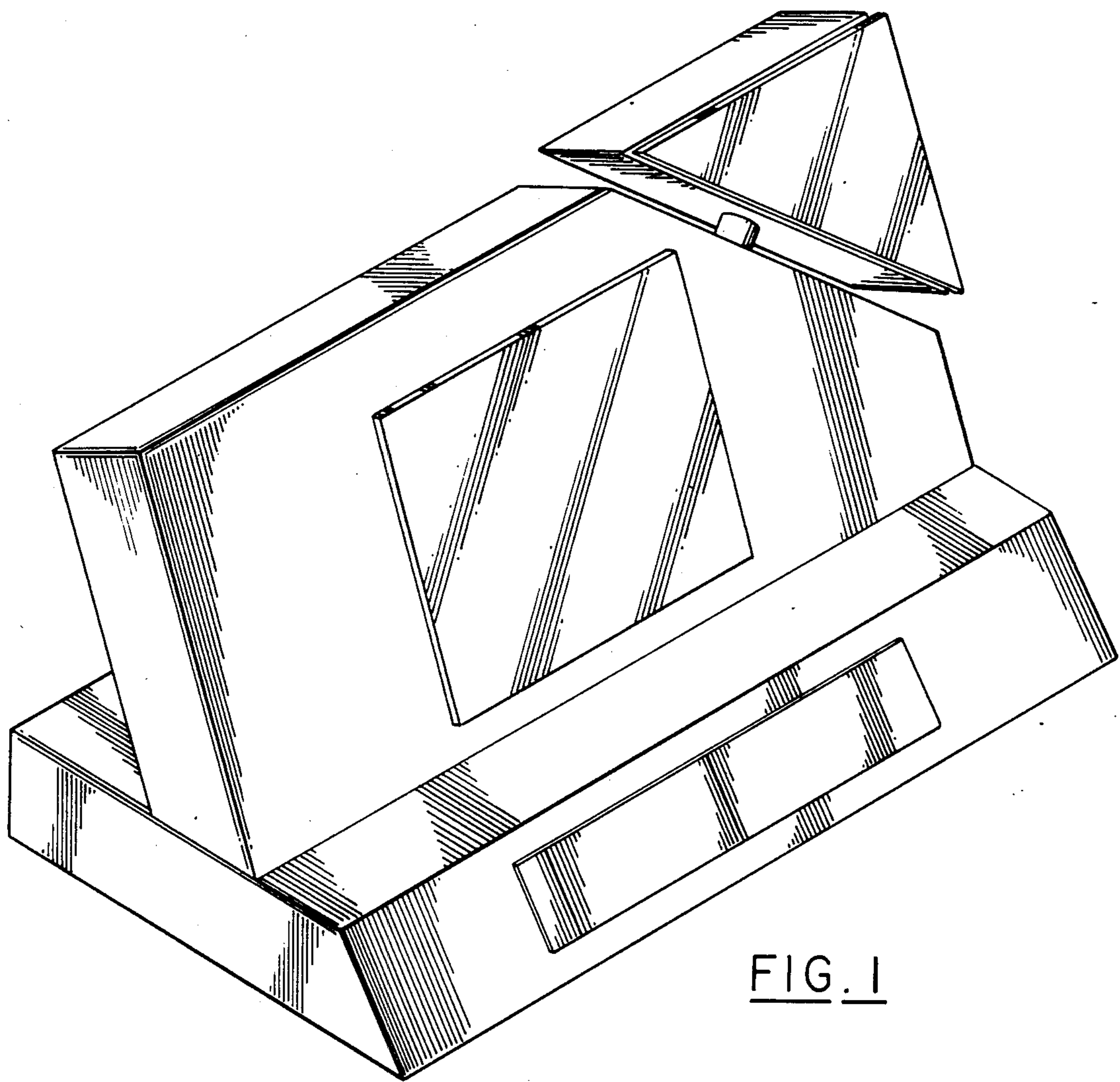


FIG. 1

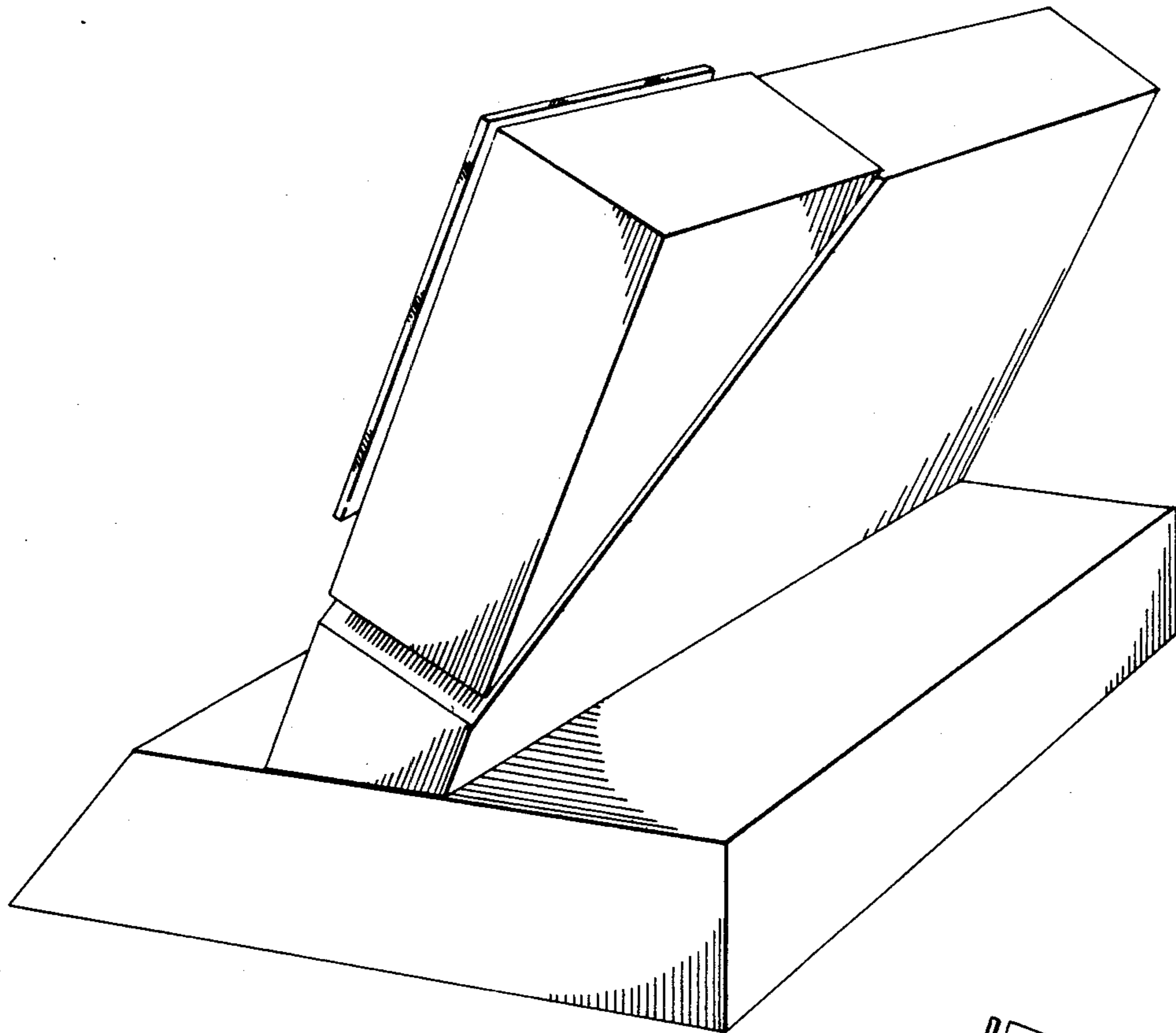


FIG. 2

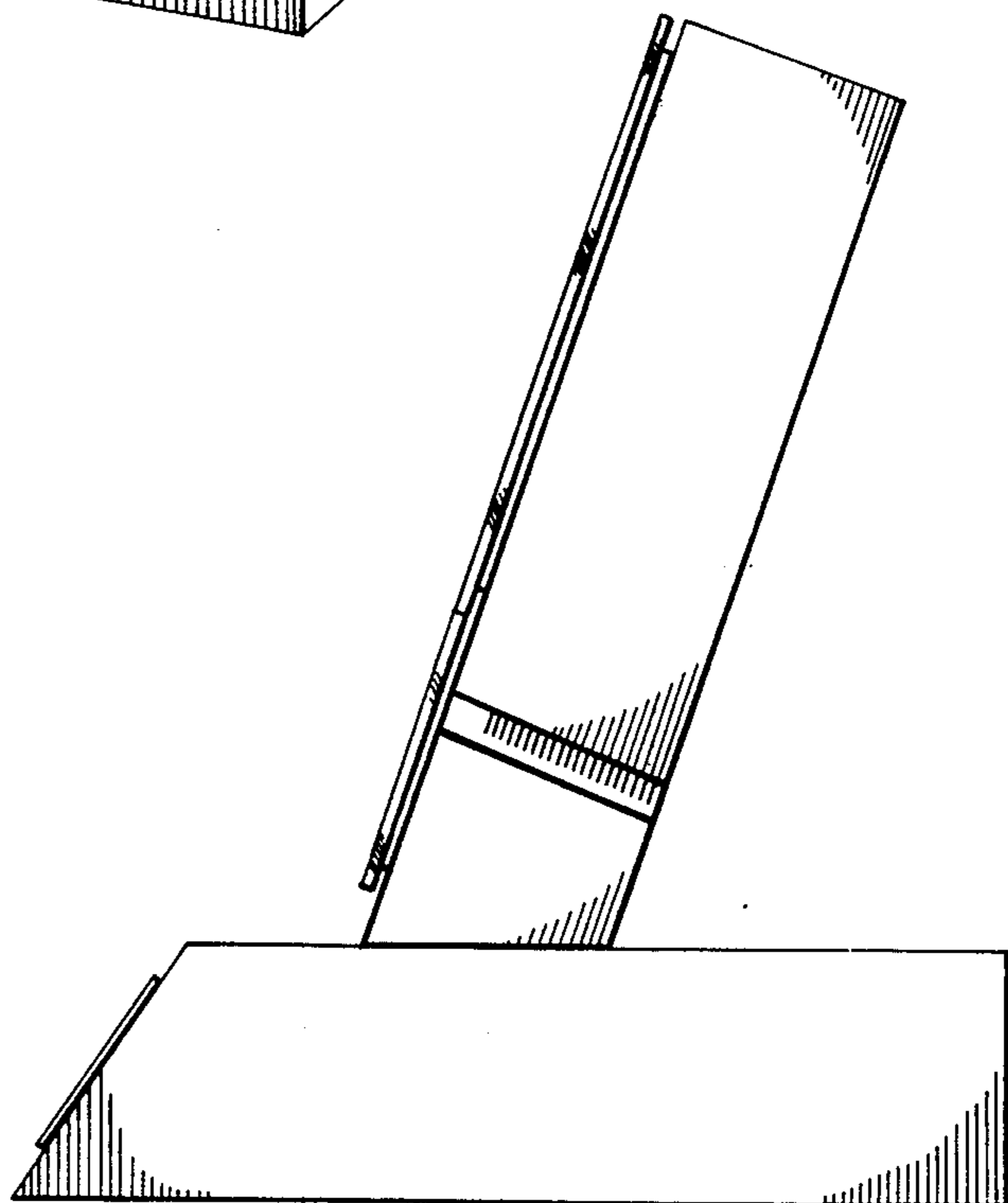


FIG. 3