

Harris

[54] PHONOGRAPH RECORD SUPPORT STAND OR SIMILAR ARTICLE

[75] Inventor: David Peter Harris, London, England

[73] Assignee: Pye Limited, Cambridge, England

[\*\*] Term: 14 Years

[21] Appl. No.: 745,959

[22] Filed: Nov. 29, 1976

[30] Foreign Application Priority Data

Jun. 2, 1976 [GB] United Kingdom ..... 975955/76

[51] Int. Cl. .... D6-04

[52] U.S. Cl. .... D6/185; D87/1 D

[58] Field of Search ..... D6/2 D, 23, 24, 85, D6/186, 188, 190, 184, 185; D87/1 D

References Cited

U.S. PATENT DOCUMENTS

D. 228,995	11/1973	Legresly .....	D6/188 X
D. 231,063	4/1974	Rafaat .....	D6/185 X
D. 233,375	10/1974	Berkman .....	D6/189 X
D. 238,457	1/1976	Blomquist .....	D6/24
D. 239,071	3/1976	Robson .....	D6/27

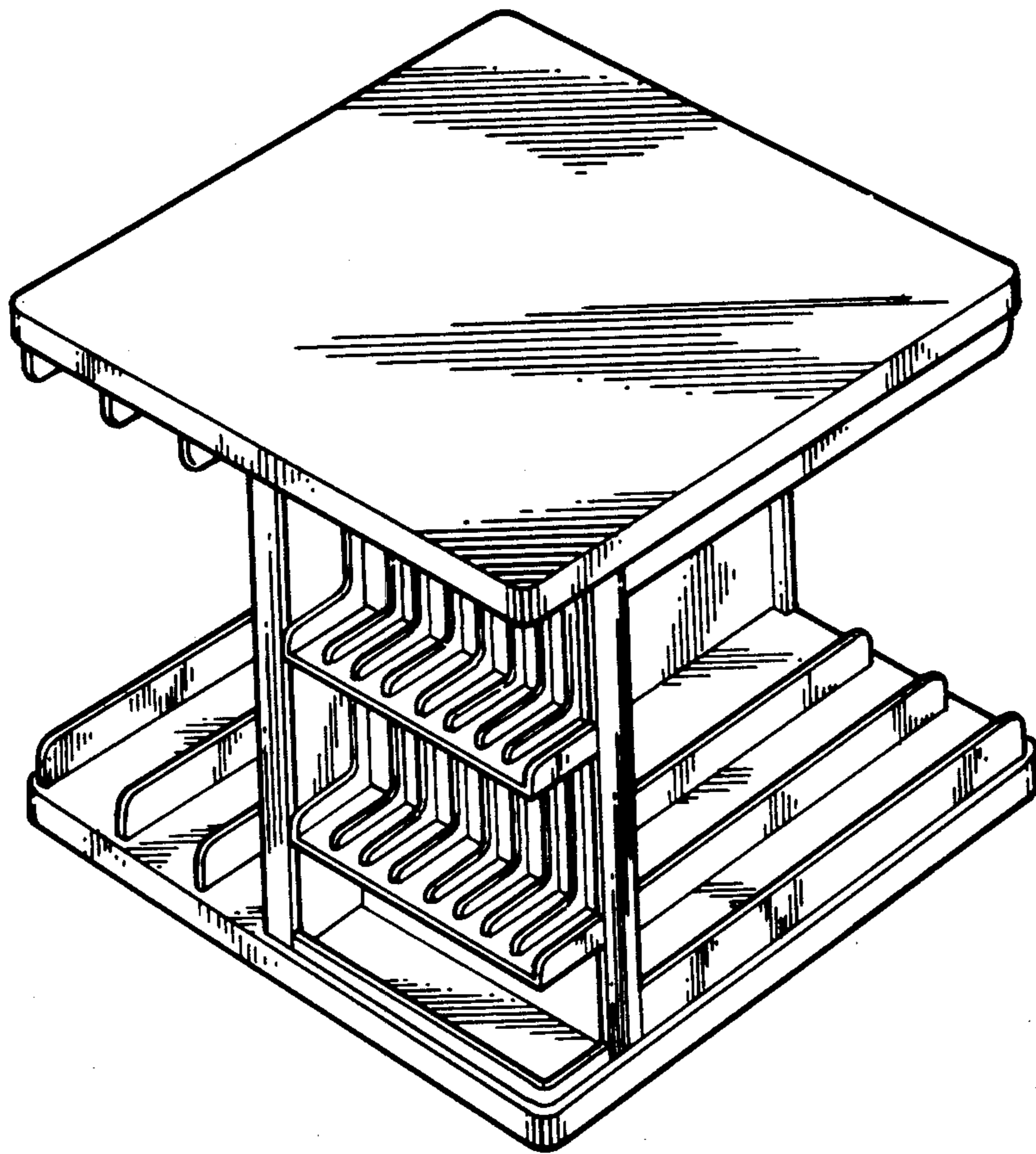
Primary Examiner—Bruce W. Dunkins  
Attorney, Agent, or Firm—Frank R. Trifari

CLAIM

[57] The ornamental design for a phonograph record support stand or similar article, as shown.

DESCRIPTION

FIG. 1 is a perspective view of a phonograph record support stand or similar article showing my new design; FIG. 2 is a top plan view thereof; FIG. 3 is a side elevational view thereof; FIG. 4 is an elevational view of the other side thereof.



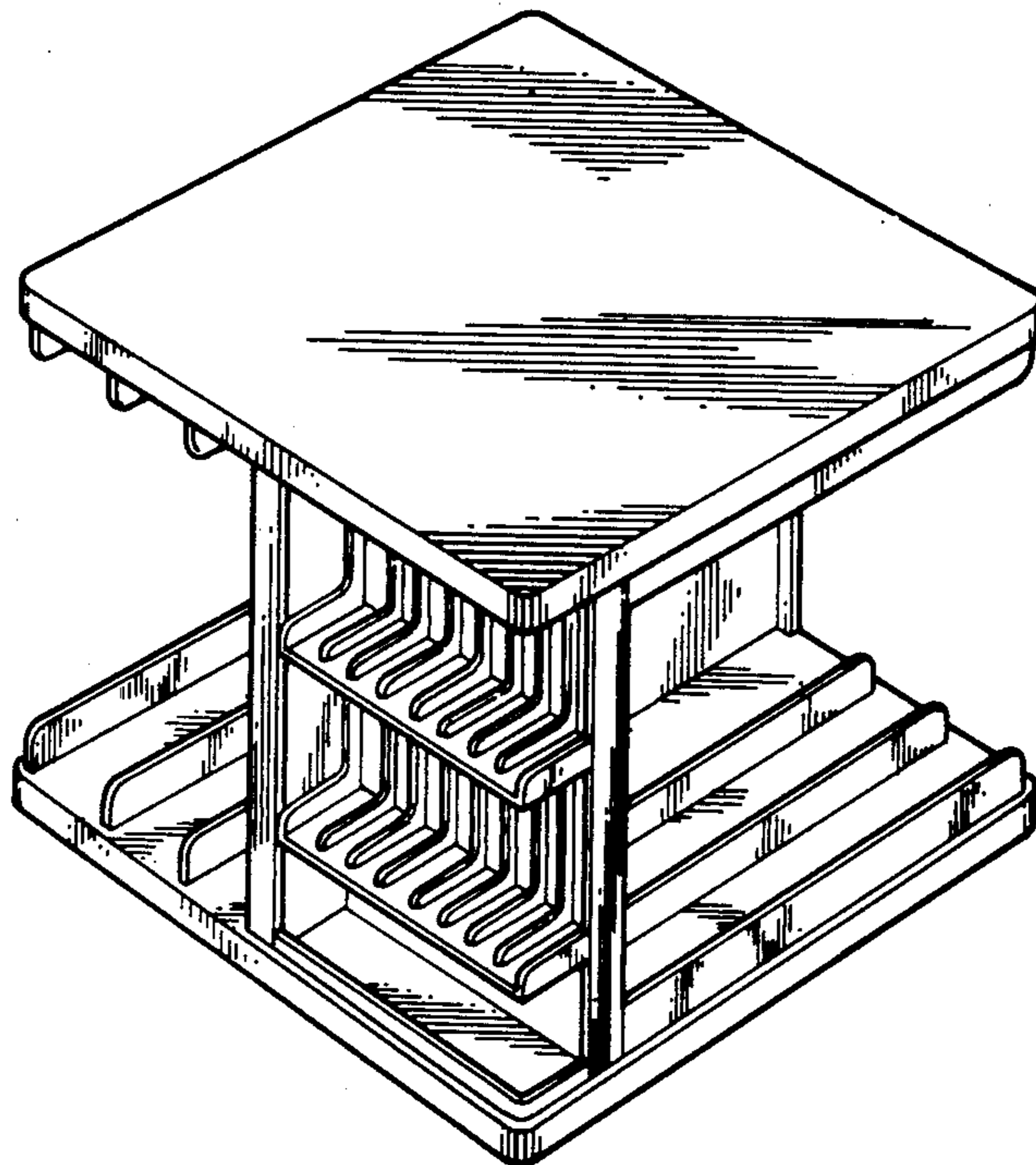


FIG. 1

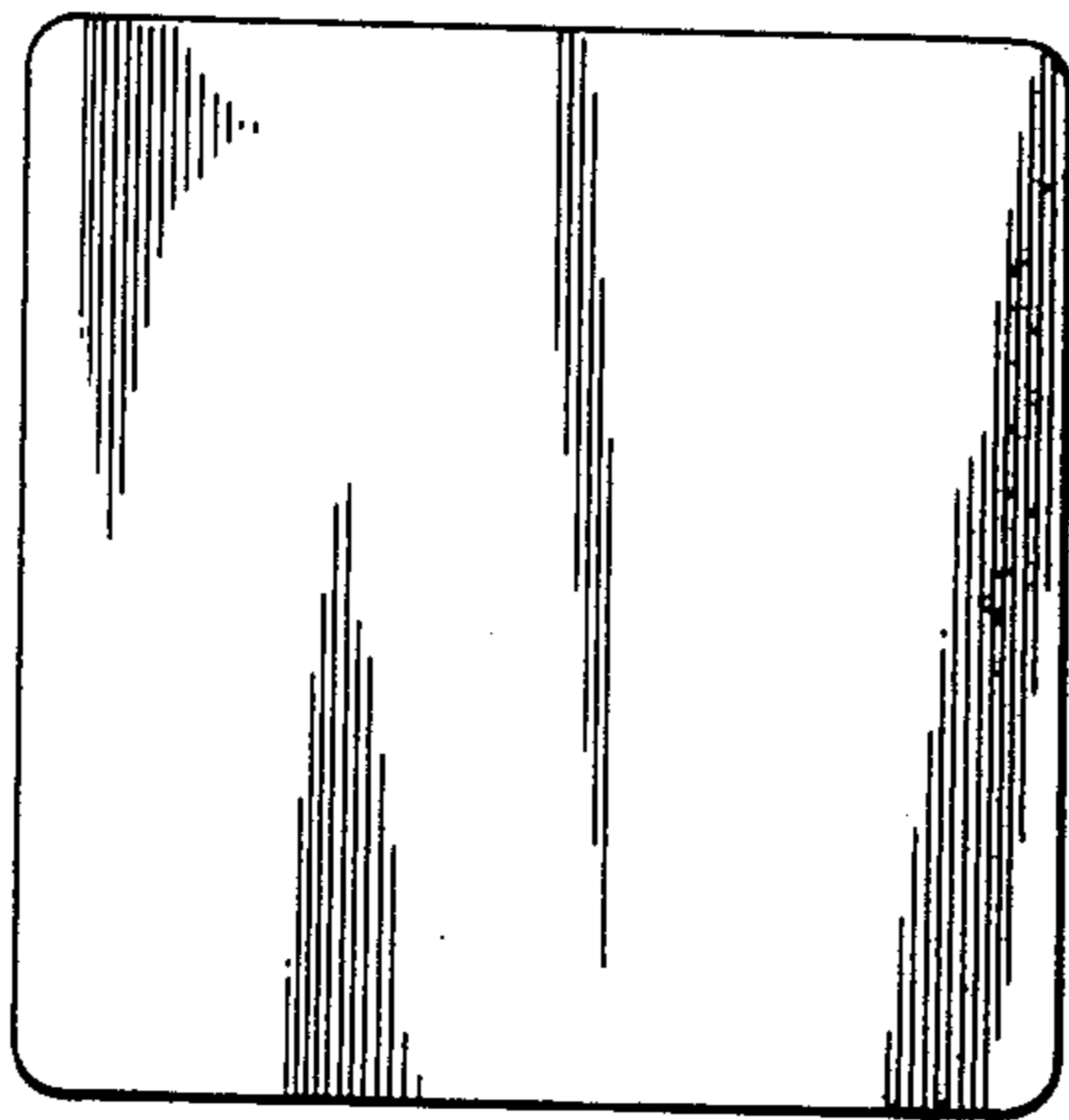


FIG. 2

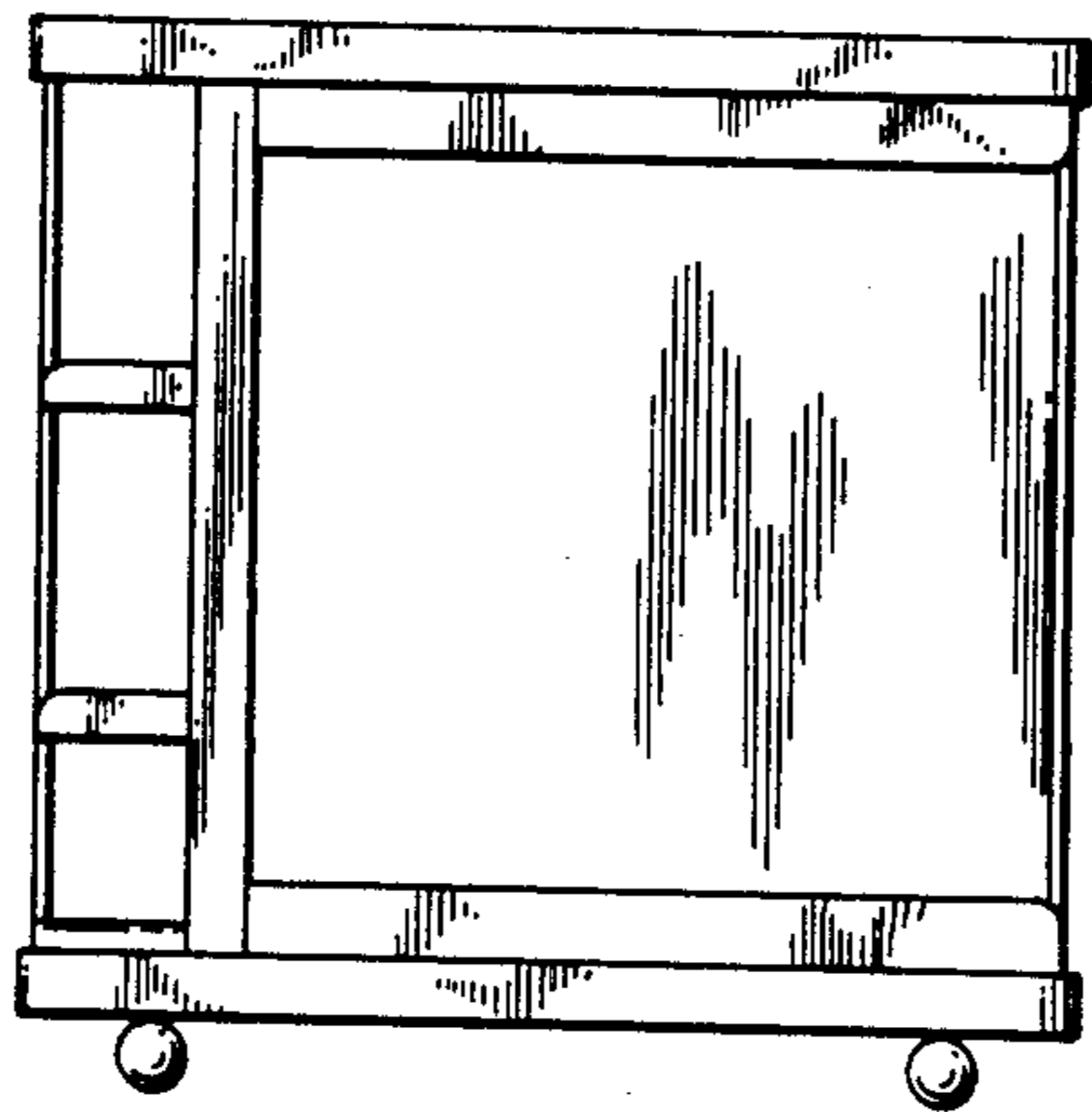


FIG. 3

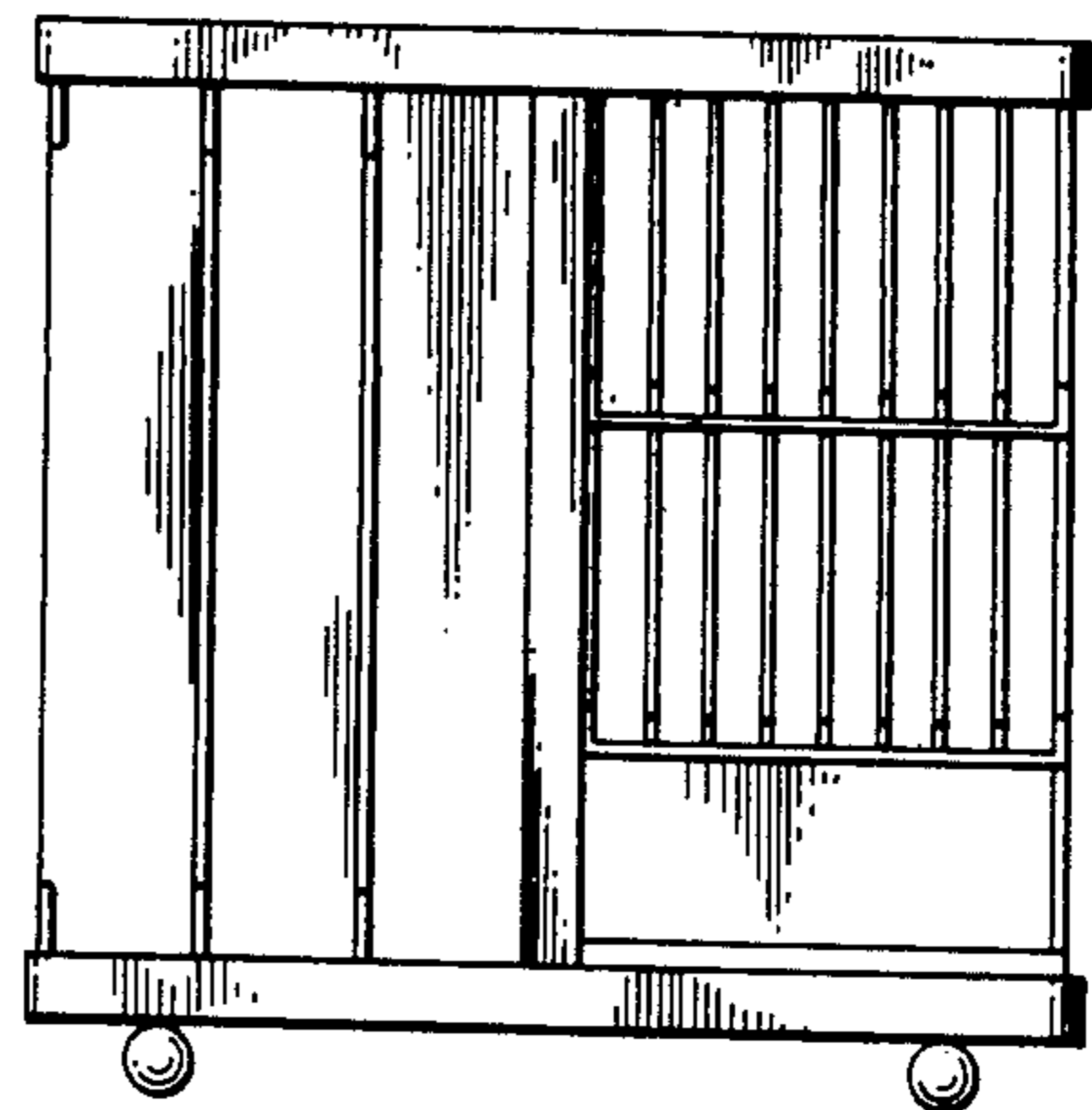


FIG. 4

UNITED STATES PATENT OFFICE  
CERTIFICATE OF CORRECTION

Patent No. DES 249,434 Dated September 19, 1978

Inventor(s) David Peter Harris

It is certified that error appears in the above-identified patent and that said Letters Patent are hereby corrected as shown below:

On Title Page, under Assignee, item [73], change  
"Pye Limited" to read -- Pye (Electronic Products)  
Limited --

**Signed and Sealed this**

*Tenth Day of February 1981*

[SEAL]

*Attest:*

RENE D. TEGTMEYER

*Attesting Officer*

*Acting Commissioner of Patents and Trademarks*