

[54] **CREDENZA**

[75] **Inventor: Fuller Robinson, Jalisco, Mexico**

[73] **Assignee: Standard Desk Limited**

[\*\*] **Term: 14 Years**

[21] **Appl. No.: 663,991**

[22] **Filed: Mar. 4, 1976**

**Related U.S. Application Data**

[62] **Division of Ser. No. 448,506, Mar. 6, 1974.**

[51] **Int. Cl. .... D6-04**

[52] **U.S. Cl. .... D6/164**

[58] **Field of Search ..... D6/153, 158, 159, 164,  
D6/166, 181, 186, 162**

[56]

**References Cited**

**U.S. PATENT DOCUMENTS**

D. 235,720 7/1975 Ball ..... D6/162  
D. 235,721 7/1975 Ball ..... D6/162

**OTHER PUBLICATIONS**

Interiors, Aug. 1973, p. 109, Credenza bottom center by Lehigh-Leopold.

*Primary Examiner*—Bruce W. Dunkins  
*Attorney, Agent, or Firm*—Robert F. Rotella

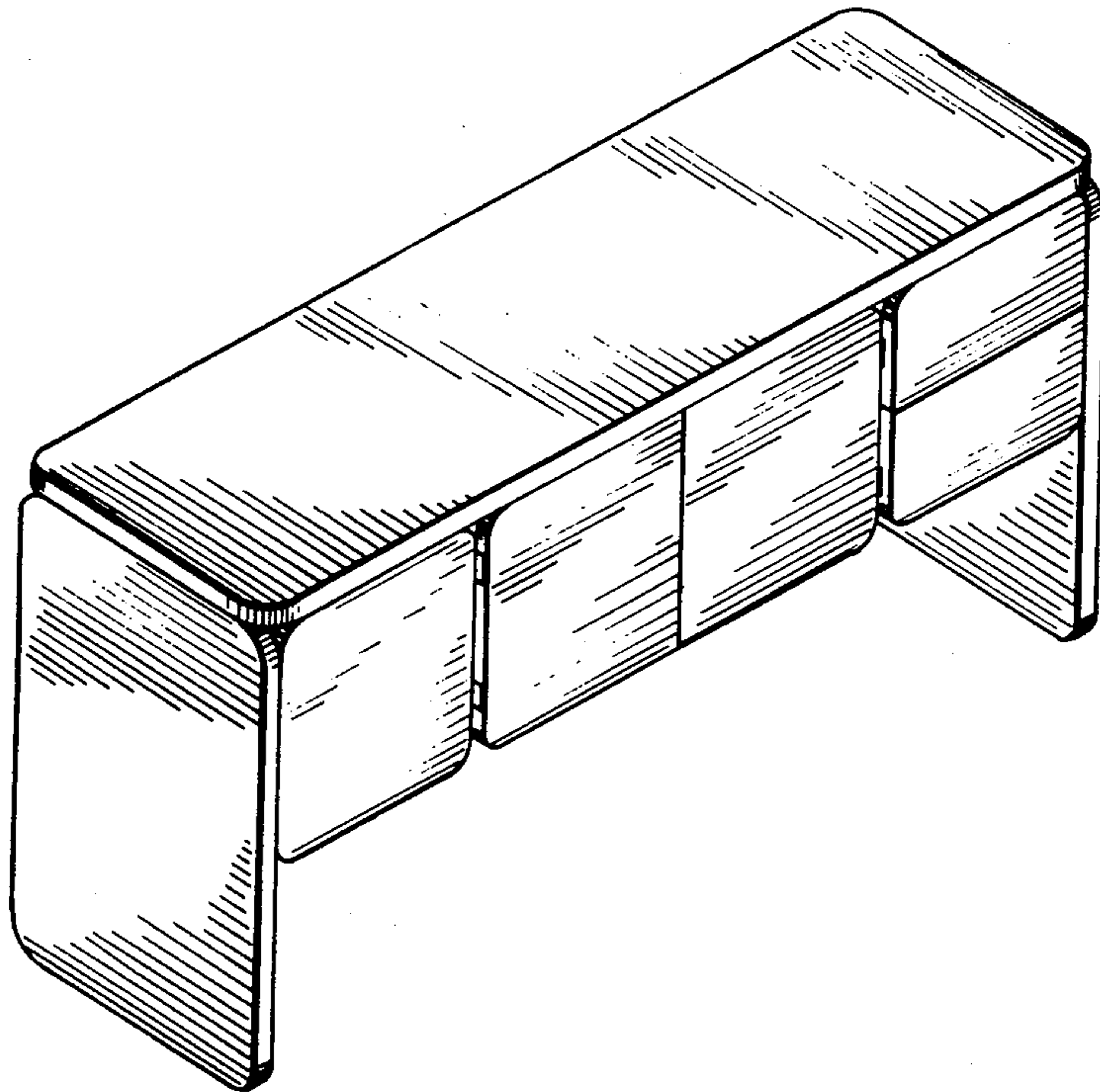
[57]

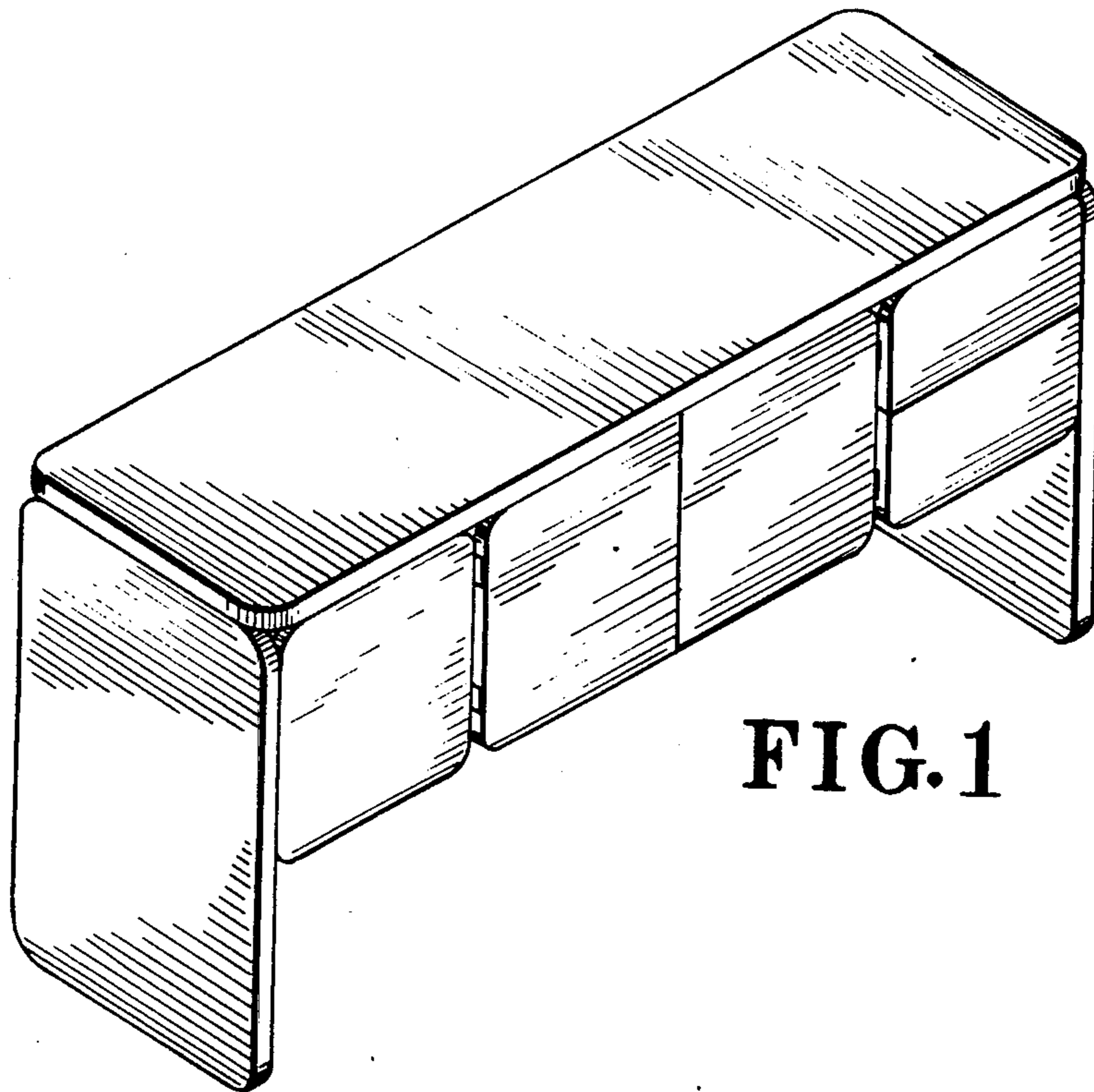
**CLAIM**

The ornamental design for credenza, as shown.

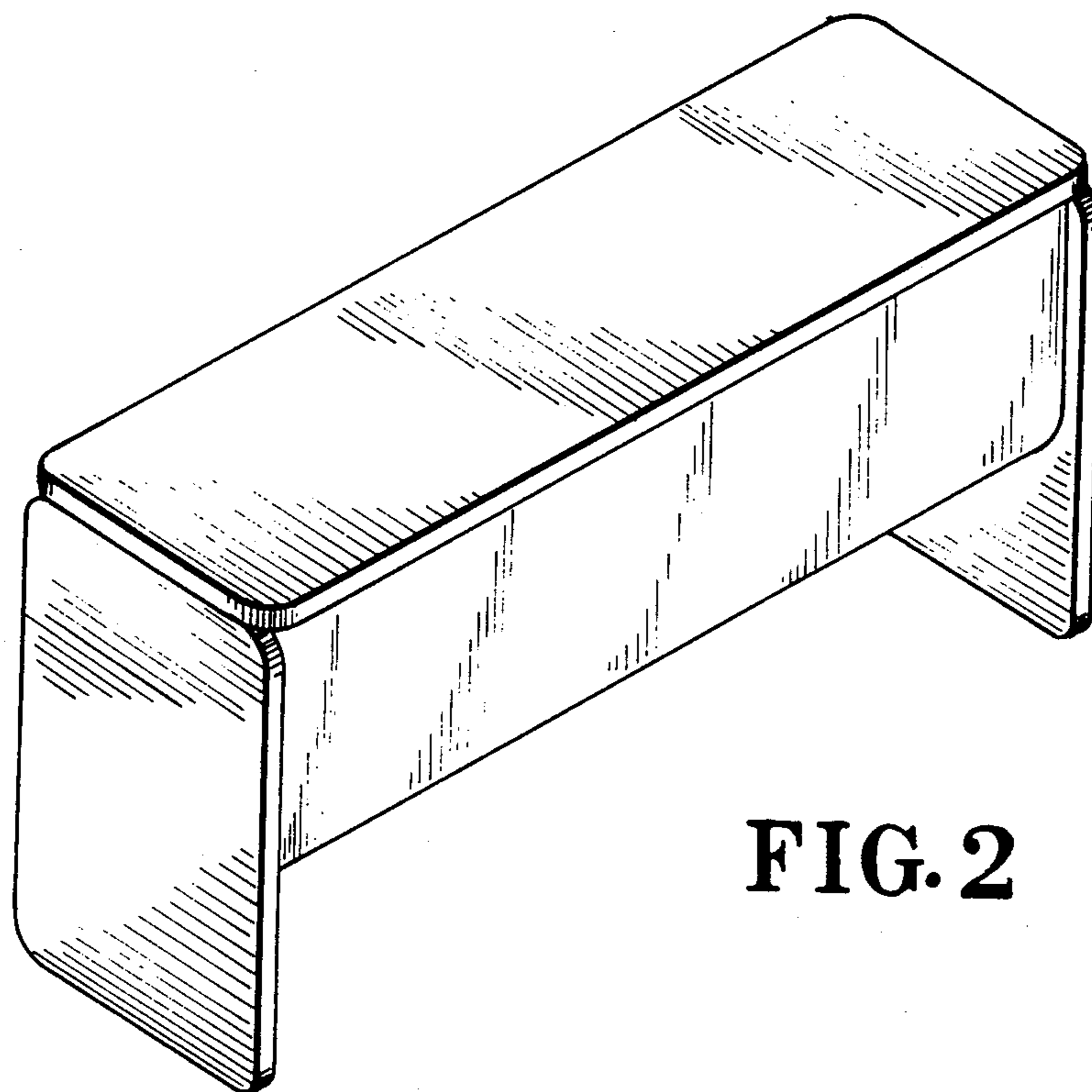
**DESCRIPTION**

FIG. 1 is a front perspective view of a credenza showing my design; and  
FIG. 2 is a rear perspective view thereof.





**FIG. 1**



**FIG. 2**