

[54] **DESK**
[75] **Inventor: Fuller Robinson, Jalisco, Mexico**
[73] **Assignee: Standard Desk Limited**
[**] **Term: 14 Years**
[21] **Appl. No.: 663,998**
[22] **Filed: Mar. 4, 1976**

Related U.S. Application Data

[62] **Division of Ser. No. 448,506, Mar. 6, 1974.**
[51] **Int. Cl. D6-04**
[52] **U.S. Cl. D6/161**
[58] **Field of Search D6/153, 158, 159, 160,
D6/161, 162, 164, 166, 181, 186**

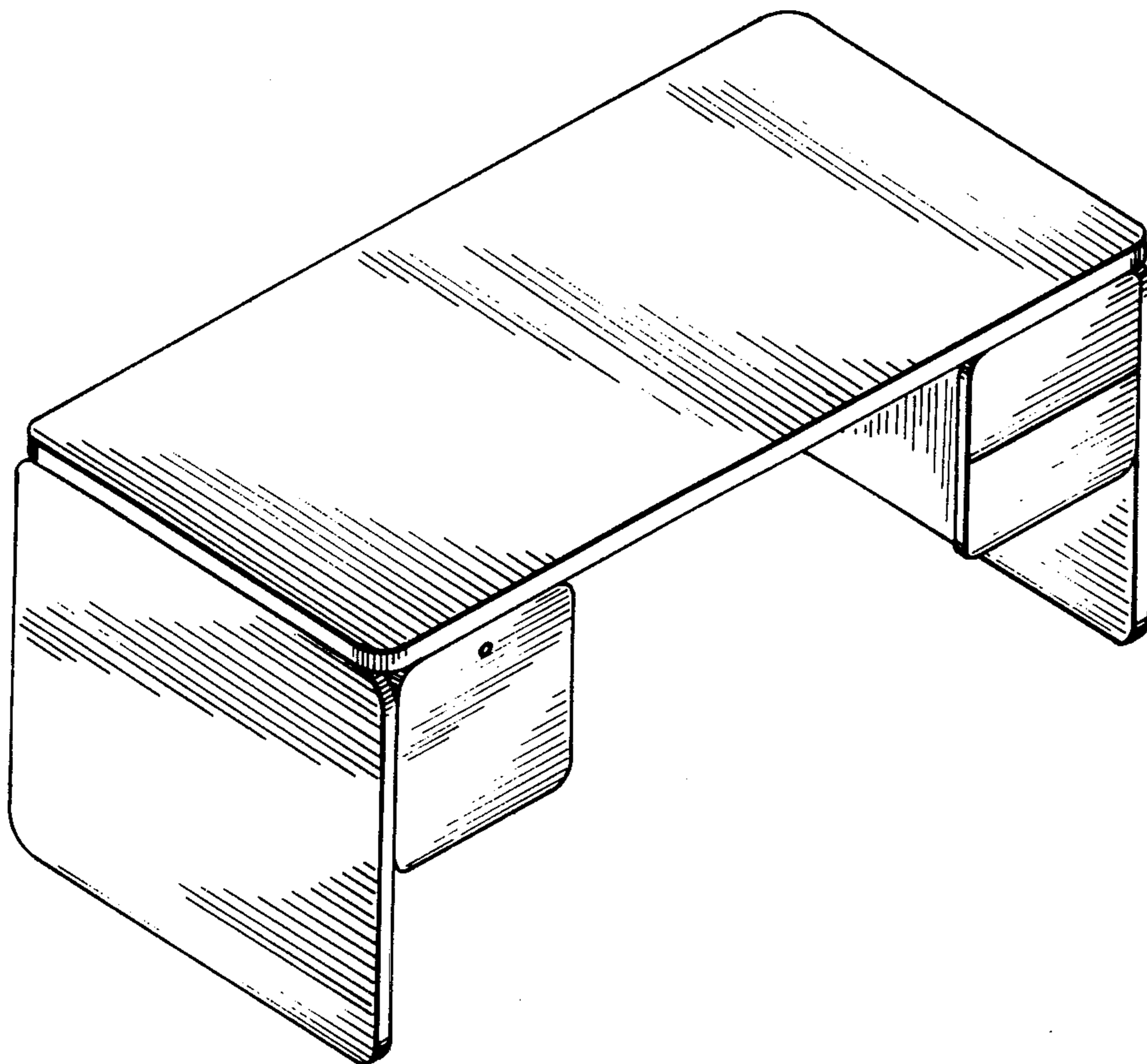
[56] **References Cited**
U.S. PATENT DOCUMENTS
D. 235,720 7/1975 Ball D6/162
D. 235,721 7/1975 Ball D6/162

OTHER PUBLICATIONS
Interiors, Aug. 1973, p. 109, desk bottom right by Lehigh-Leopold.

Primary Examiner—Bruce W. Dunkins
Attorney, Agent, or Firm—Norman Friedman

[57] **CLAIM**
The ornamental design for desk, as shown.

DESCRIPTION
FIG. 1 is a front perspective view of a desk showing my design; and
FIG. 2 is a rear perspective view thereof.



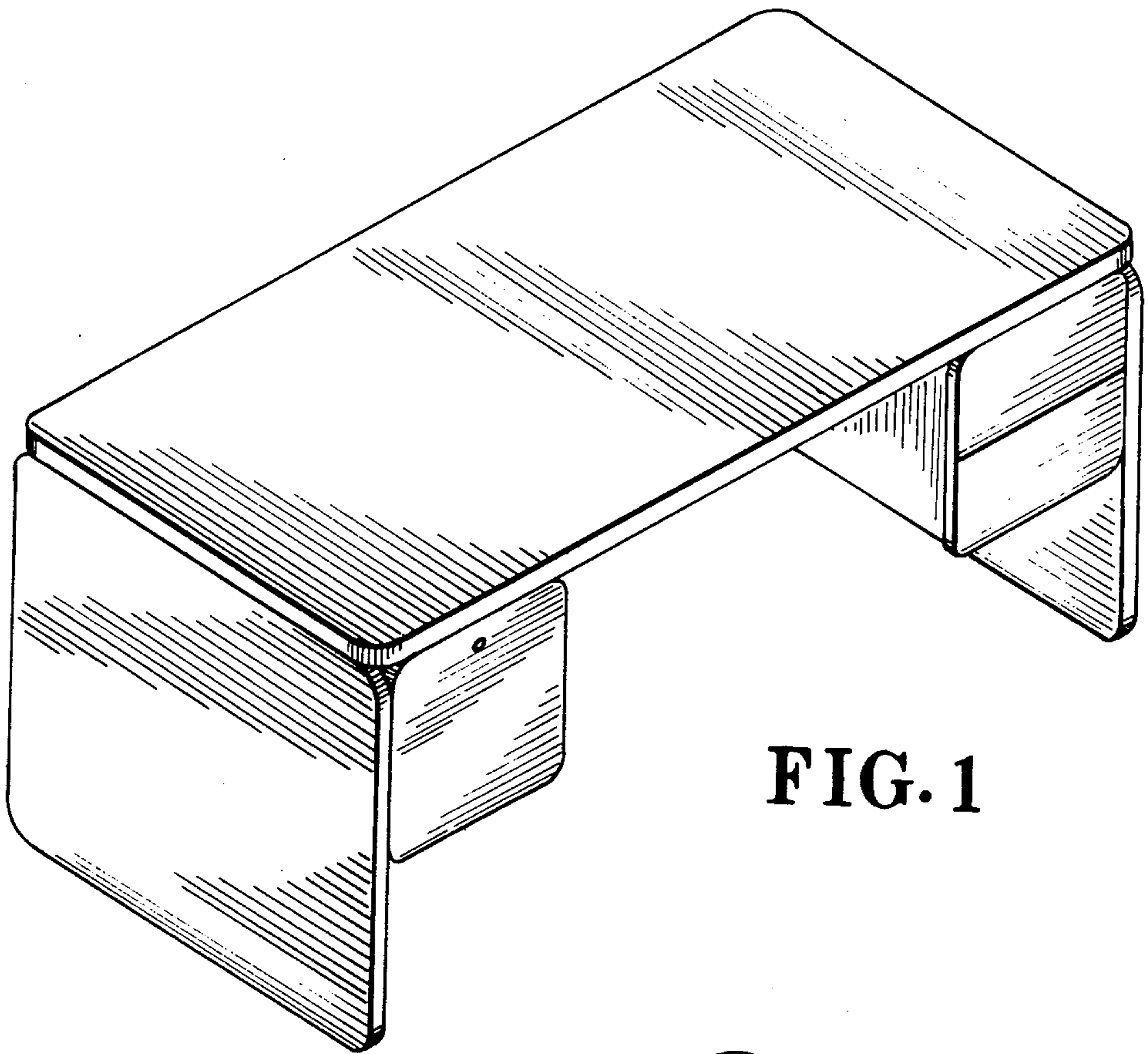


FIG. 1

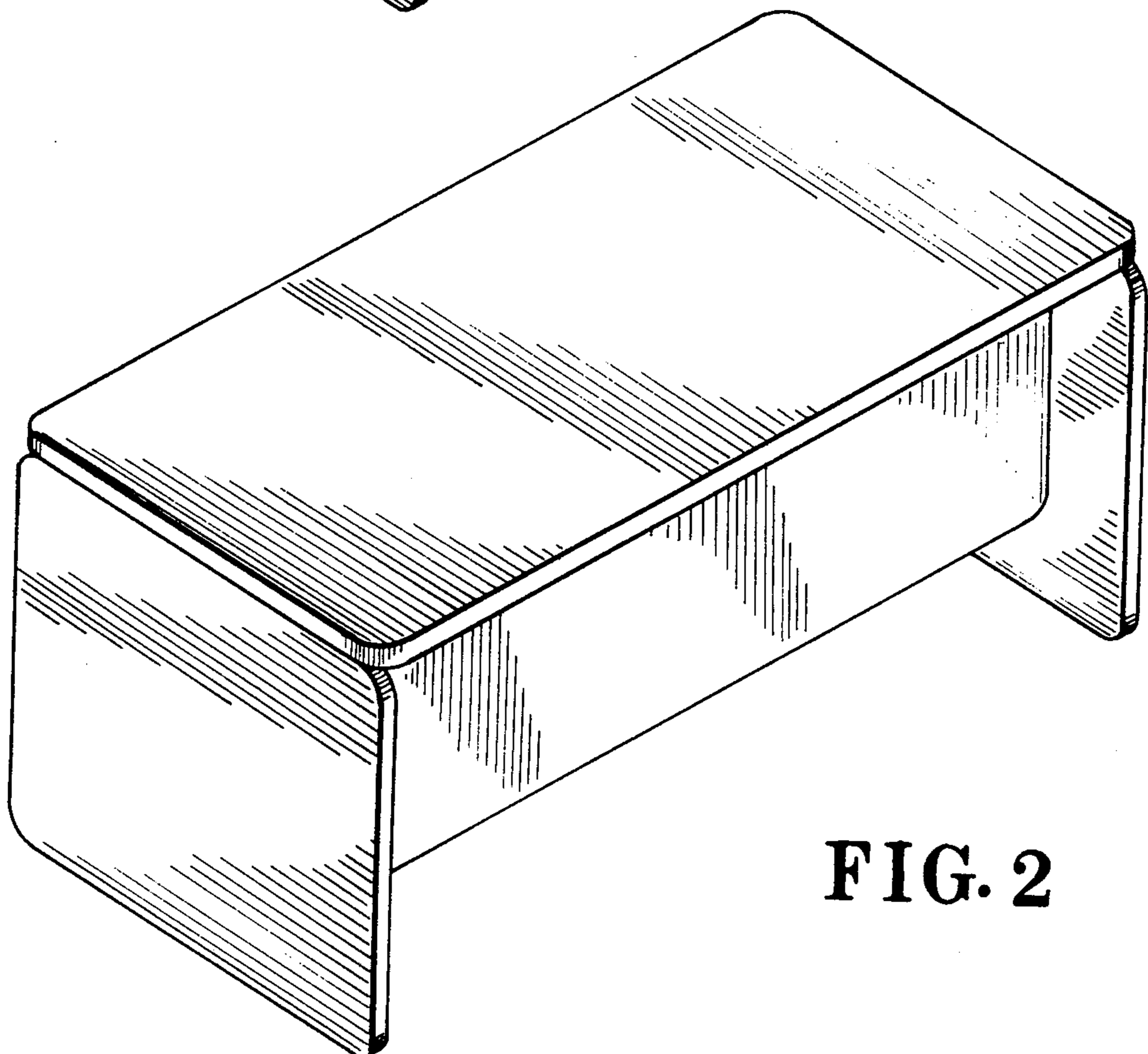


FIG. 2