

[54] MOBILE DEVICE FOR THE DISPLAY OF ADVERTISING OR ENTERTAINMENT, OR FOR DISPENSING PRODUCTS

[75] Inventors: Kenneth H. Walker; Garfield Langworthy, both of New York, N.Y.; Robert L. Turner, Florham Park, N.J.

[73] Assignee: Walker-Grad Inc.

[\*\*] Term: 14 Years

[21] Appl. No.: 680,725

[22] Filed: Apr. 27, 1976

[51] Int. Cl. .... D20-02; D20-03

[52] U.S. Cl. .... D6/146; D6/85; D96/12 R

[58] Field of Search ..... D6/85, 146; D12/22, D12/25, 31, 29; D96/12 R, 12 A; 280/79.3; 40/129 R

[56] **References Cited**

**U.S. PATENT DOCUMENTS**

D. 78,685 6/1929 Brown ..... D96/12 R

|           |        |                 |          |
|-----------|--------|-----------------|----------|
| 1,806,150 | 5/1931 | Deckebach ..... | D96/12 R |
| 2,608,779 | 9/1952 | Joy .....       | D96/12 R |
| 3,307,280 | 3/1957 | Mazur .....     | D96/12 R |
| 3,738,309 | 6/1973 | Nicholl .....   | 40/129 R |
| 4,001,959 | 1/1977 | Grendahl .....  | D6/146   |

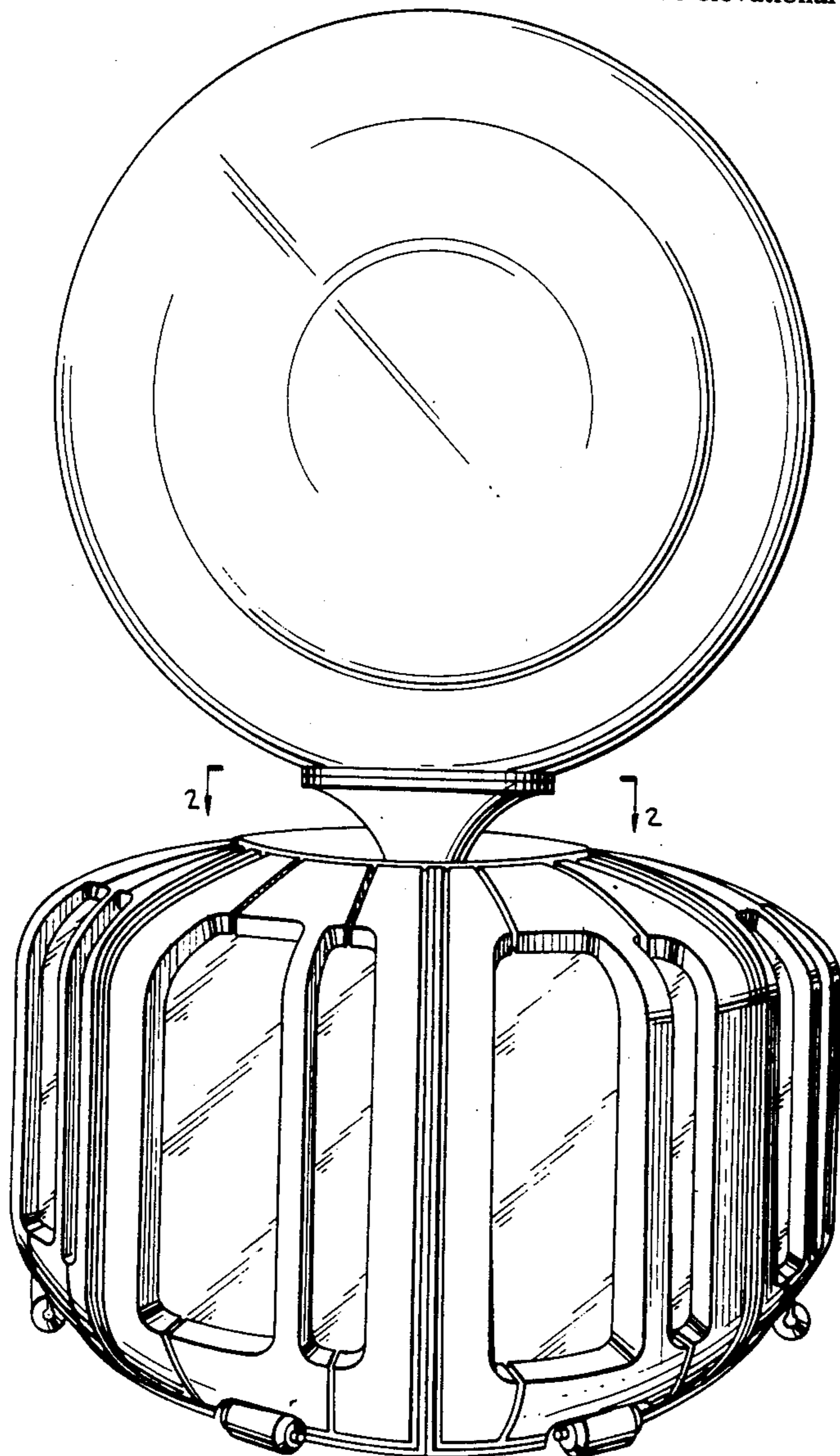
Primary Examiner—Wallace R. Burke  
 Assistant Examiner—B. J. Bullock  
 Attorney, Agent, or Firm—William T. Boland, Jr.

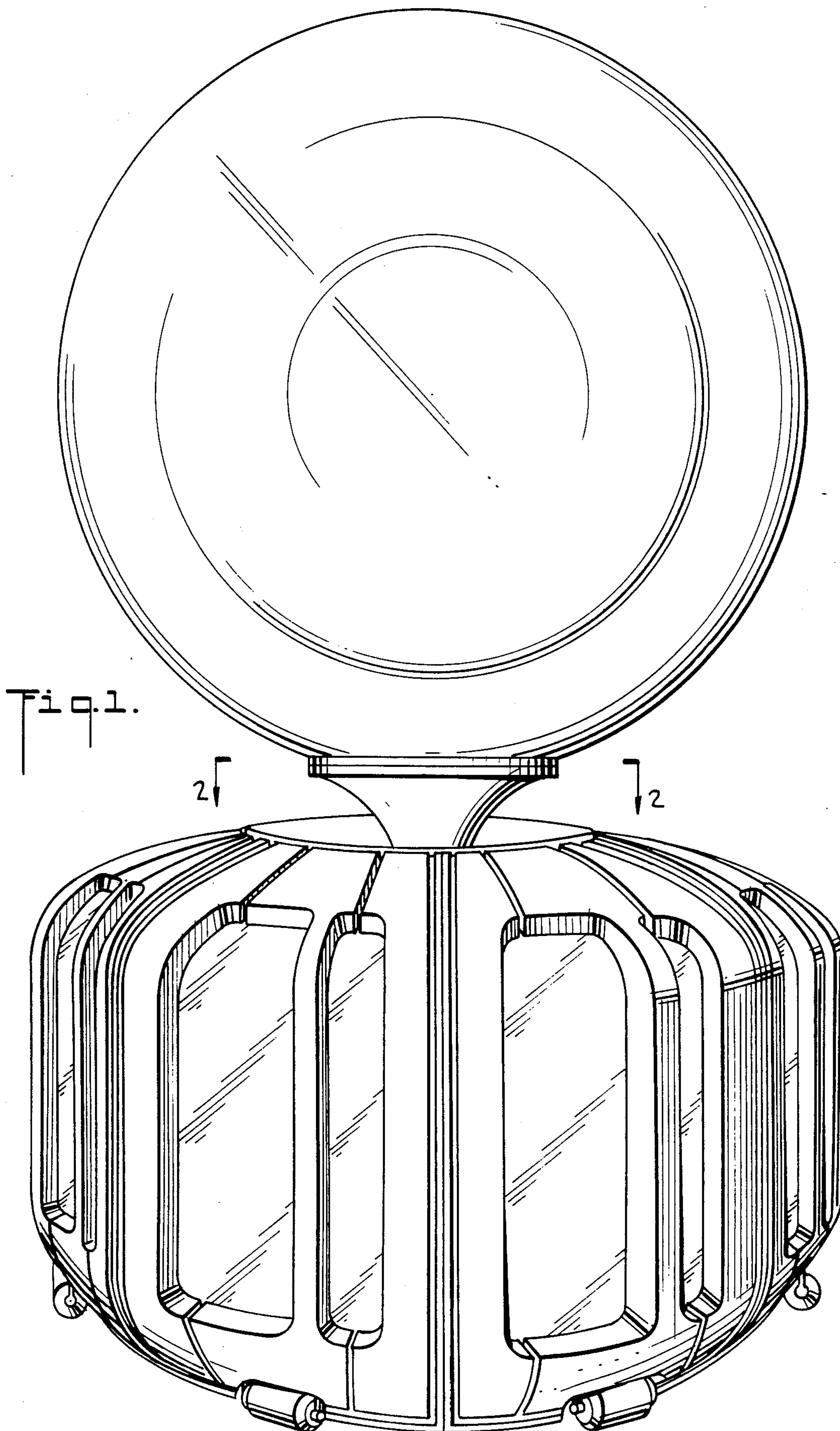
[57] **CLAIM**

The ornamental design for a mobile device for the display of advertising or entertainment, or for dispensing products, substantially as shown.

**DESCRIPTION**

FIG. 1 is a perspective view of the mobile device for the display of advertising or entertainment, or for dispensing products showing our new design; FIG. 2 is a sectional view taken on lines II—II of FIG. 1; FIG. 3 is a fragmentary exploded perspective view thereof; FIG. 4 is a front elevational view of a section shown separately for ease of illustration; and FIG. 5 is a side elevational view of FIG. 4.





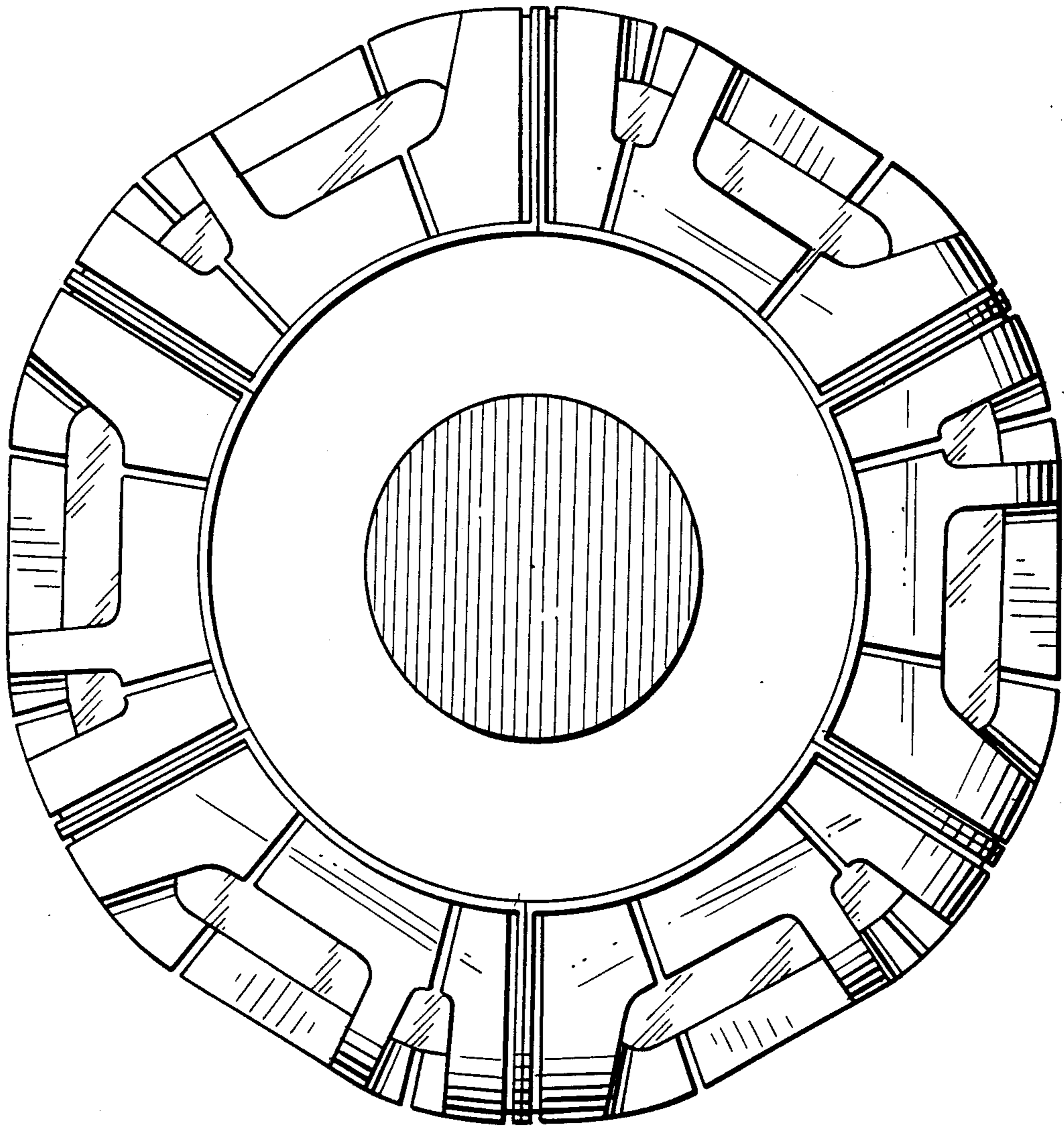


Fig. 2.

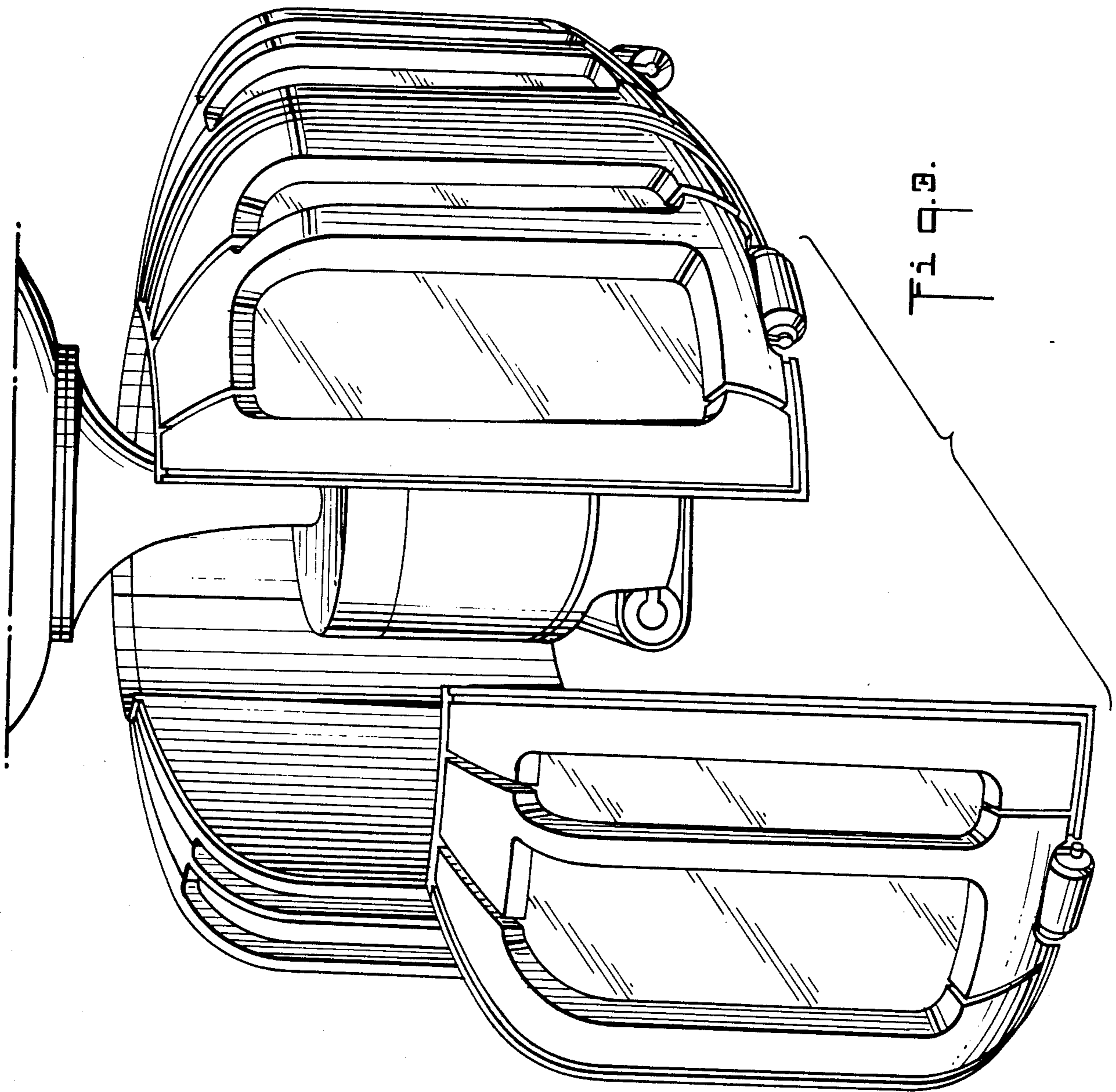


Fig. 3.

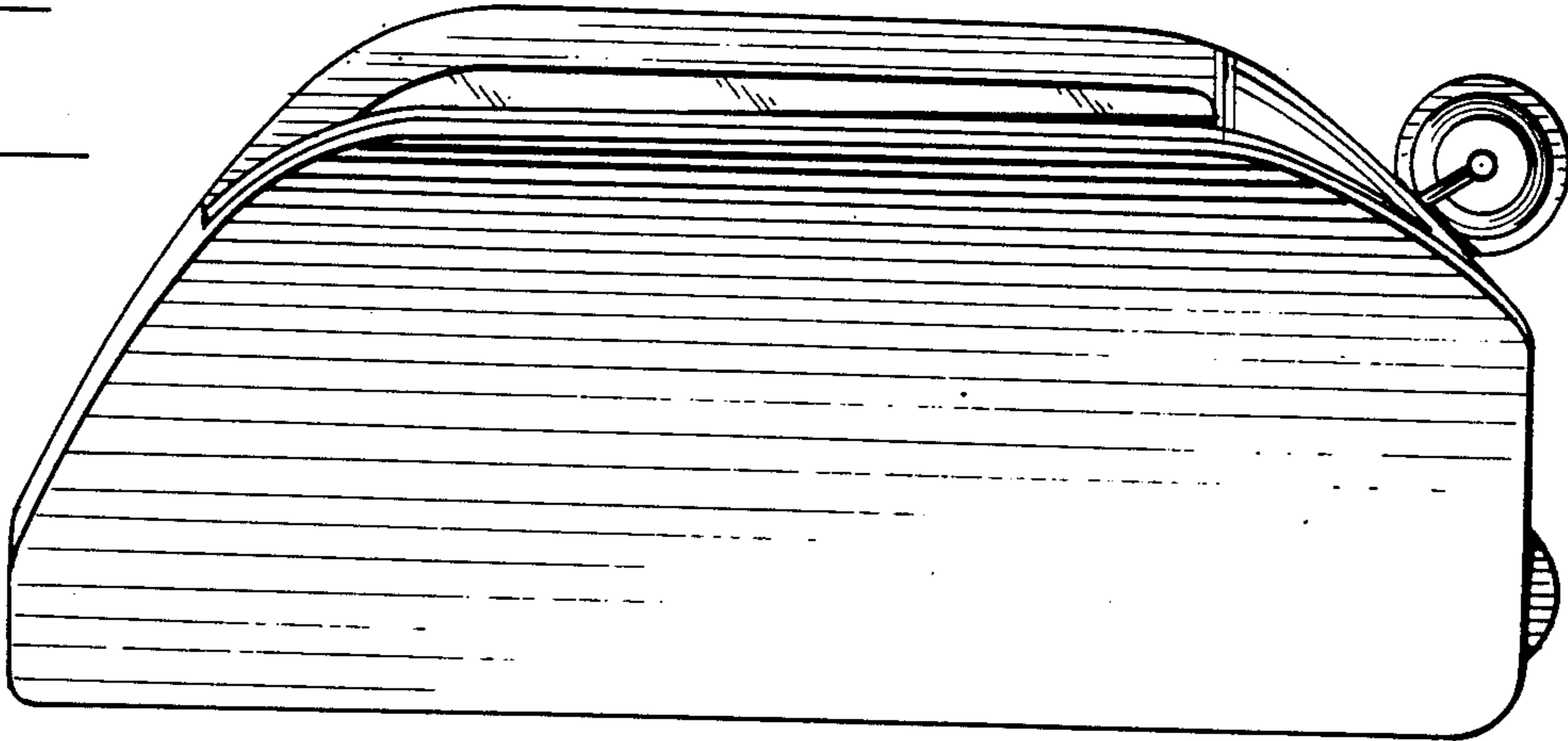


Fig. 4.

