

[54] GLASSWARE HUTCH CABINET

[75] Inventors: Paul E. Helgesen, Seven Valleys; William S. Ripley, III, York, both of Pa.

[73] Assignee: Susquehanna Broadcasting Co., York, Pa.

[\*\*] Term: 14 Years

[21] Appl. No.: 730,246

[22] Filed: Oct. 6, 1976

[51] Int. Cl. .... D6-04

[52] U.S. Cl. .... D6/134; D6/113; D6/125; D6/142; D6/188

[58] Field of Search ..... D6/127, 129, 130, 134, D6/135, 157, 181, 186, 188, 189, 190, 113, 125, 142

[56] References Cited

U.S. PATENT DOCUMENTS

D. 136,906 12/1943 Reed ..... D6/127  
D. 153,351 4/1949 Grocoff ..... D6/130

D. 170,018 7/1953 Greenlee ..... D6/129

OTHER PUBLICATIONS

Yield House Cat. © 1966, p. 33, spice rack No. C-174.  
Woodpecker Woodware Cat., 1962, p. D, magazine rack stand No. 566.

Primary Examiner—Bruce W. Dunkins  
Attorney, Agent, or Firm—C. Hercus Just

[57] CLAIM

The ornamental design of a glassware hutch cabinet, substantially as shown and described.

DESCRIPTION

FIG. 1 is a front elevation view of a glassware hutch cabinet, showing our design.

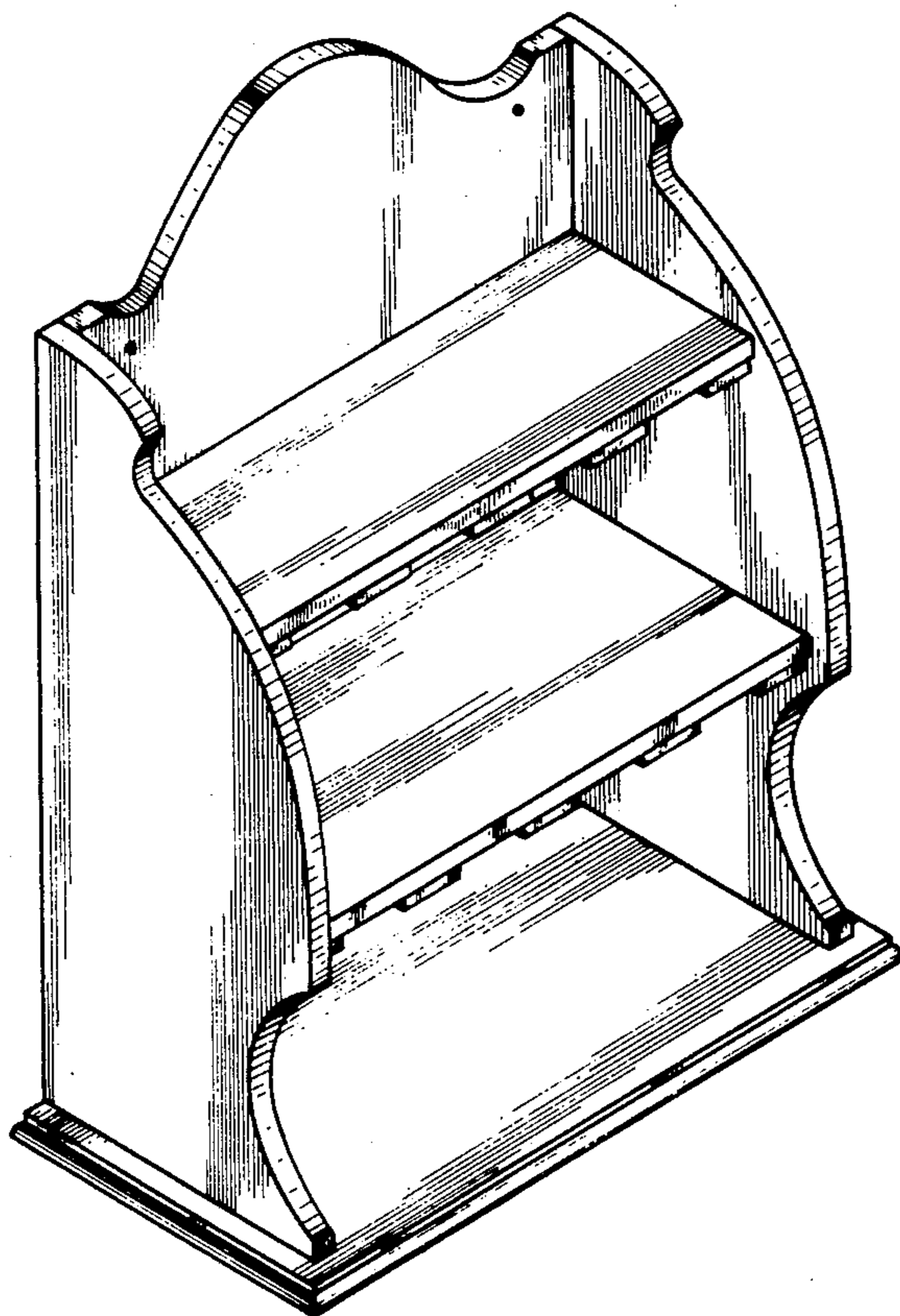
FIG. 2 is an elevation of one side thereof.

FIG. 3 is a top plan view thereof.

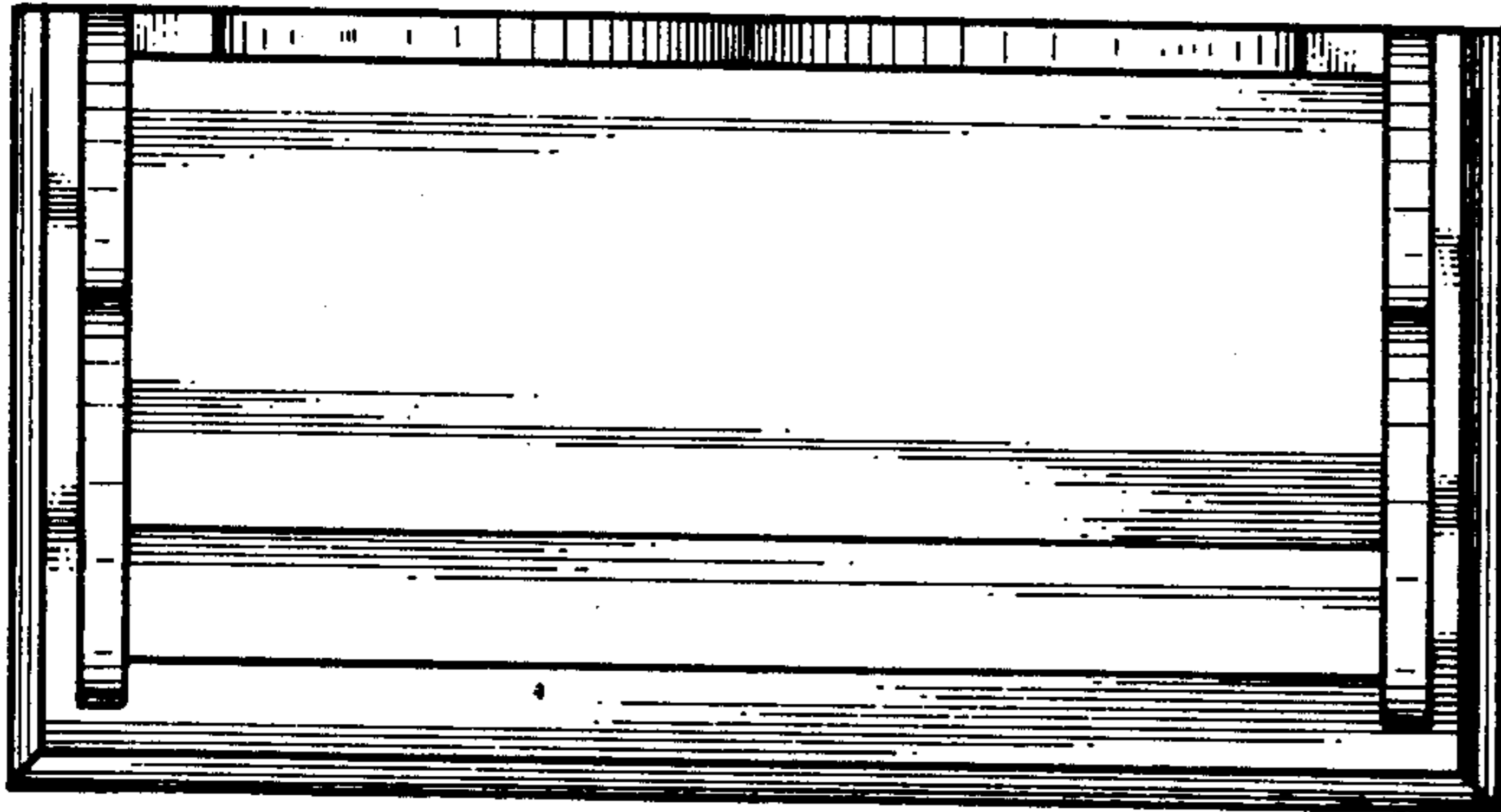
FIG. 4 is a front perspective view thereof.

The rear surface of the back panel and the bottom of the cabinet are conventionally flat and unornamented.

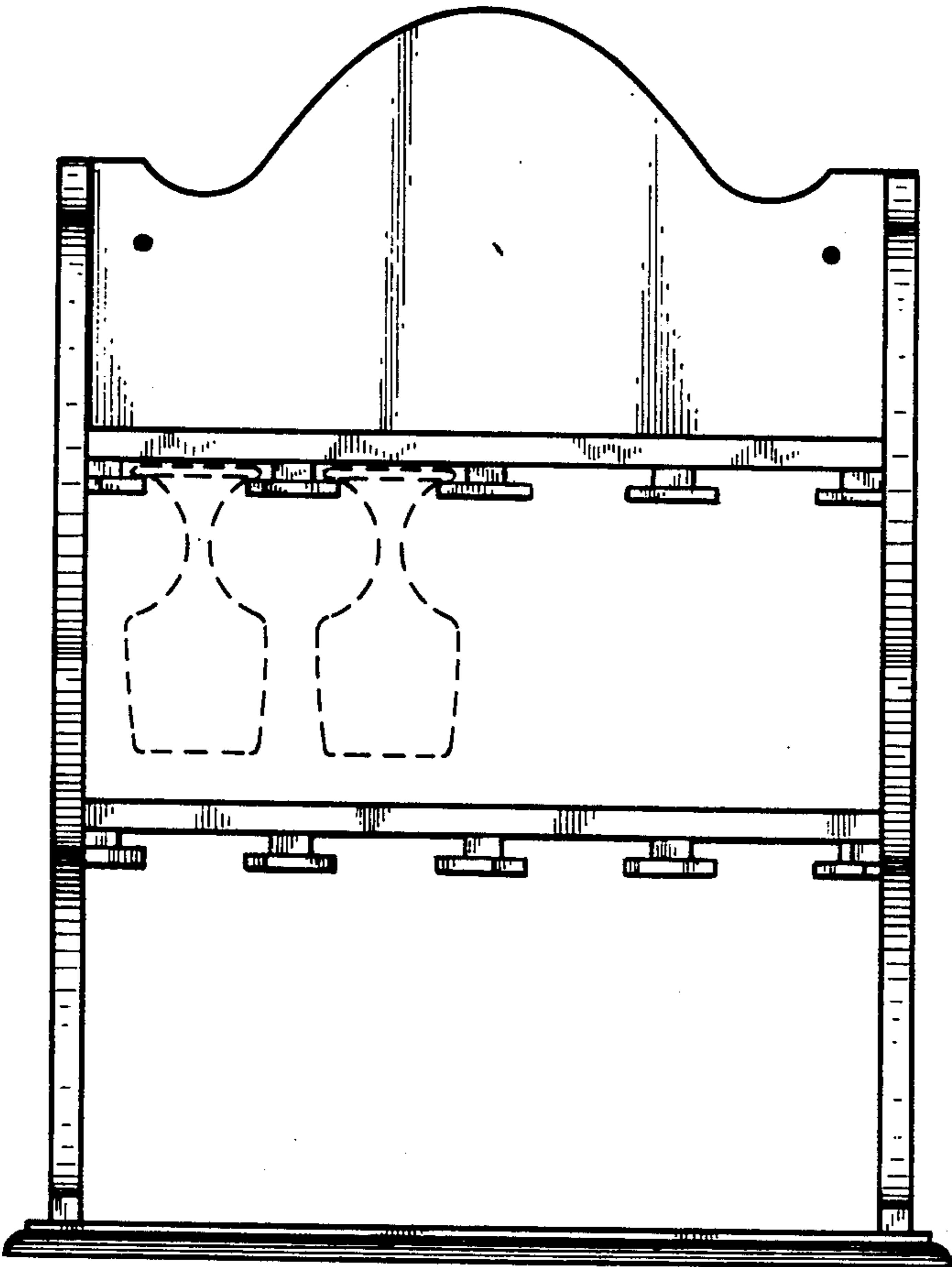
The broken lines shown in FIG. 1 are for illustrative purposes only.



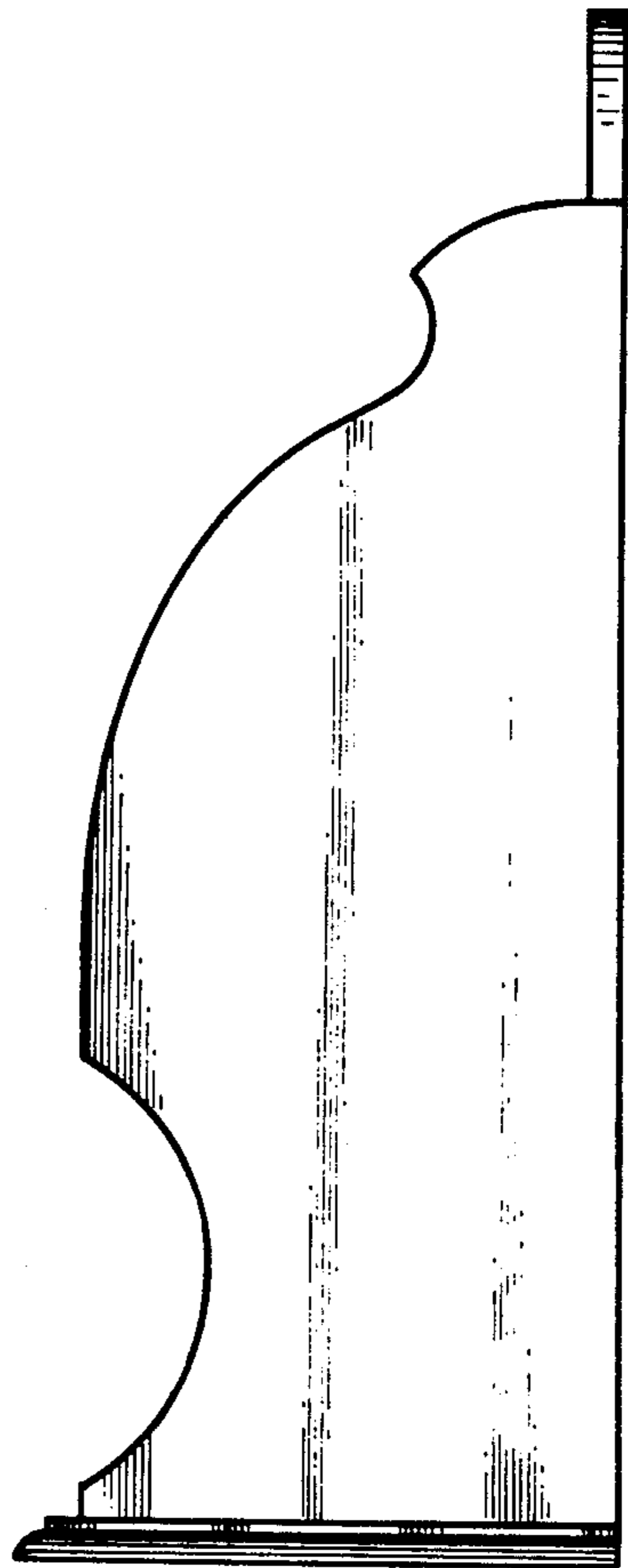
*Fig. 3.*



*Fig. 1.*



*Fig. 2.*



*Fig. 4.*

