

[54] HAIRBRUSH

[75] Inventor: Myron Glasberg, Needham, Mass.

[73] Assignee: Brynel Incorporated, Watertown, Mass.

[**] Term: 14 Years

[21] Appl. No.: 820,358

[22] Filed: Jul. 29, 1977

[51] Int. Cl. D4—02

[52] U.S. Cl. D4/31

[58] Field of Search D4/29, 31, 35;
15/159 R, 159 A, 160, 186, 187, 188

[56] References Cited

U.S. PATENT DOCUMENTS

D. 238,631 2/1976 Leighton D4/31
2,648,082 8/1953 Teetsel 15/160 X

Primary Examiner—Wallace R. Burke
Assistant Examiner—Catherine Kemper
Attorney, Agent, or Firm—Stanley Sacks

[57] CLAIM

The ornamental design for a hairbrush, as shown and described.

DESCRIPTION

FIG. 1 is a side elevational view of a hairbrush, showing my new design, the sides not shown being identical to the side shown;

FIG. 2 is a right end elevational view thereof;

FIG. 3 is a left end elevational view thereof.

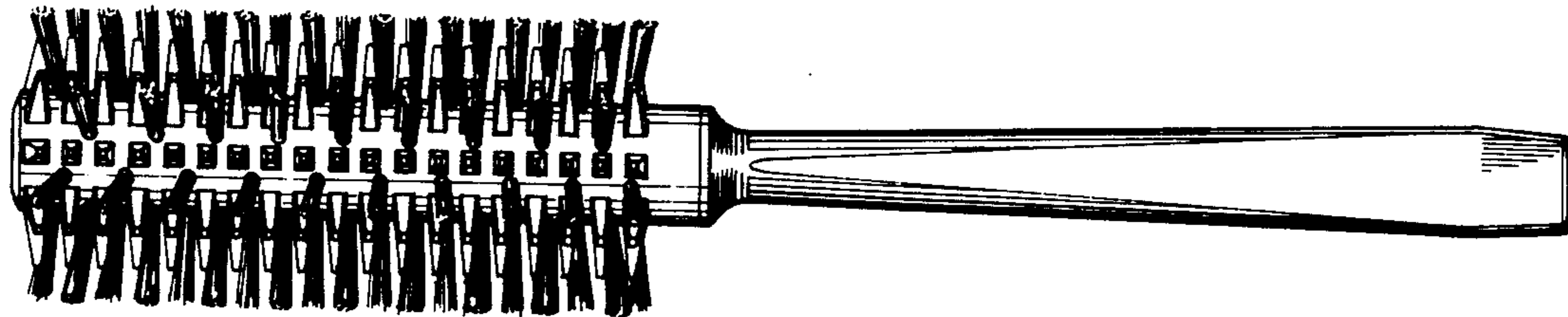


Fig. 1

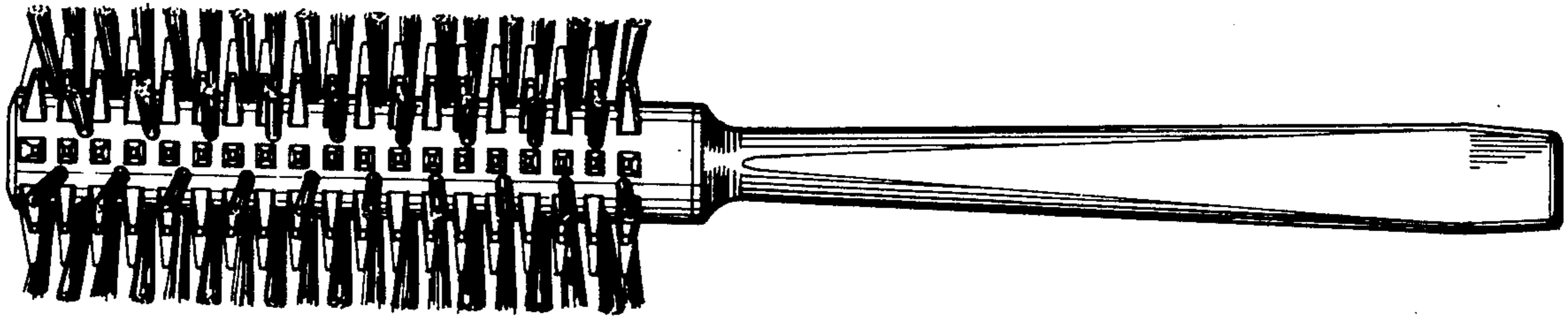


Fig. 2

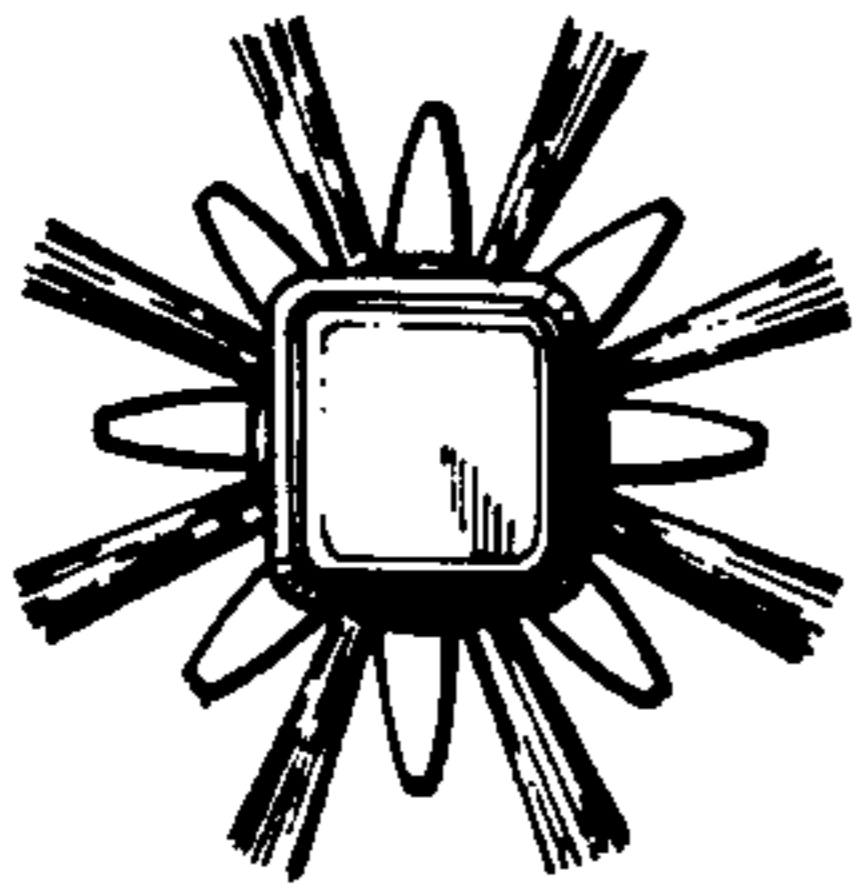


Fig. 3

