

[54] FACE GUARD FOR MOUNTING ON AN ATHLETIC HELMET

[75] Inventors: Delby C. Humphrey, Terre Haute; Robert D. Humphrey, Litchfield, both of Ill.

[73] Assignee: Schutt Manufacturing Company, Litchfield, Ill.

[**] Term: 14 Years

[21] Appl. No.: 728,394

[22] Filed: Sep. 30, 1976

[51] Int. Cl. D2-03

[52] U.S. Cl. D2/233

[58] Field of Search D2/231, 233; 2/9

[56] References Cited

U.S. PATENT DOCUMENTS

3,729,746 5/1973 Humphrey 2/9

Primary Examiner—Melvin B. Feifer
Attorney, Agent, or Firm—Albert L. Jeffers

[57] CLAIM

The ornamental design for a face guard for mounting on an athletic helmet, substantially as shown.

DESCRIPTION

FIG. 1 is a side elevational view of a face guard for mounting on an athletic helmet showing our new design;

FIG. 2 is a front elevational view looking in the direction of arrow II on FIG. 1; and

FIG. 3 is a plan view looking down on top of the face guard.

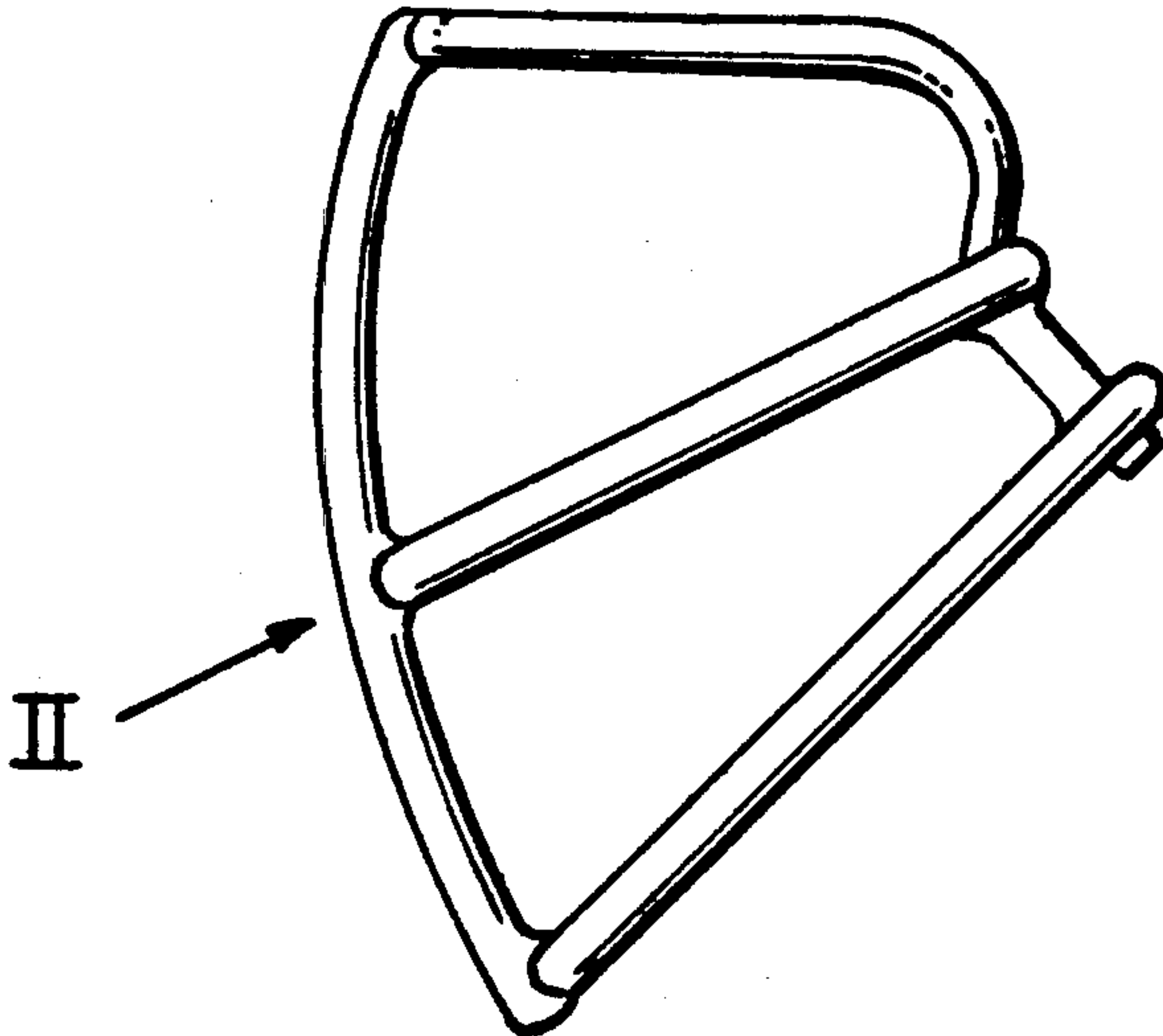


FIG-1

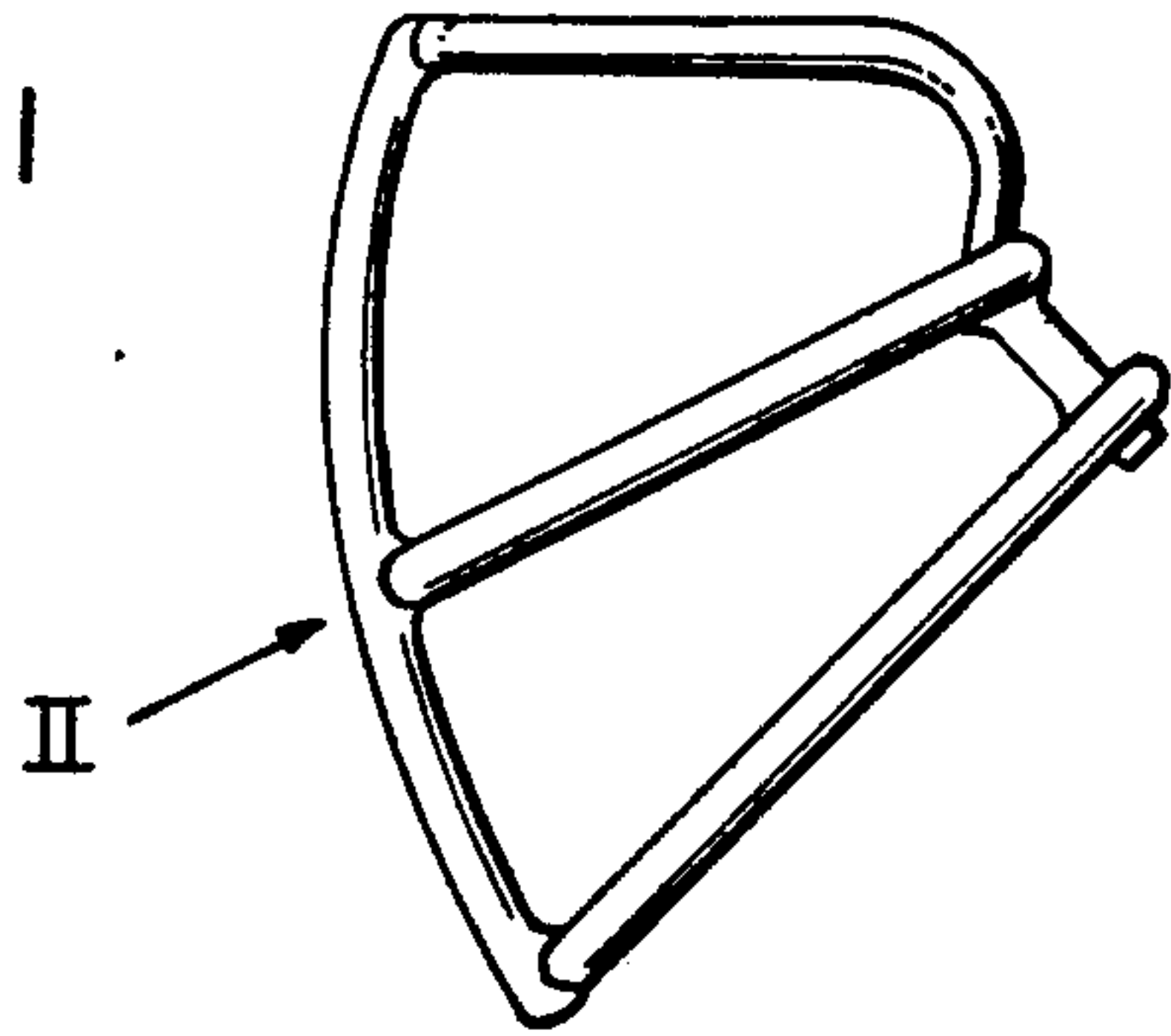


FIG-2

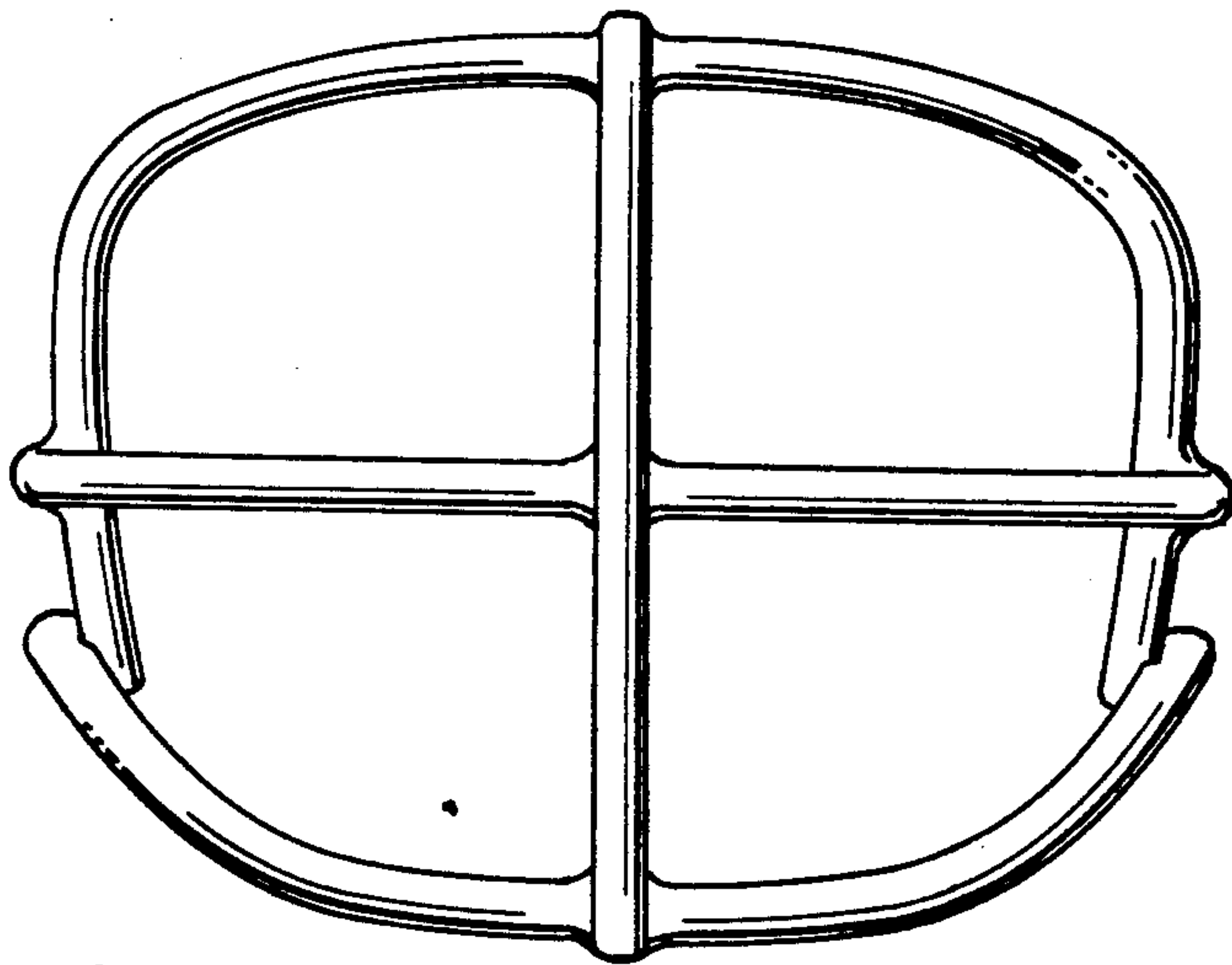


FIG-3

