

[54] COMBINED CANDLES AND CONTAINER THEREFOR

[76] Inventor: Willy H. Vanbragt, 111 Rengstorff #92, Mountain View, Calif. 94040

[\*\*] Term: 7 Years

[21] Appl. No.: 767,472

[22] Filed: Feb. 10, 1977

[51] Int. Cl. .... D26—01

[52] U.S. Cl. .... D48/2

[58] Field of Search ..... D48/2, 20 R; 431/288, 431/289, 290, 291, 292, 295, 294, 297; 240/13, 17

[56] References Cited

U.S. PATENT DOCUMENTS

D. 205,300 7/1966 Douglas ..... D48/2  
D. 234,367 2/1975 Wolfard ..... D48/2 X

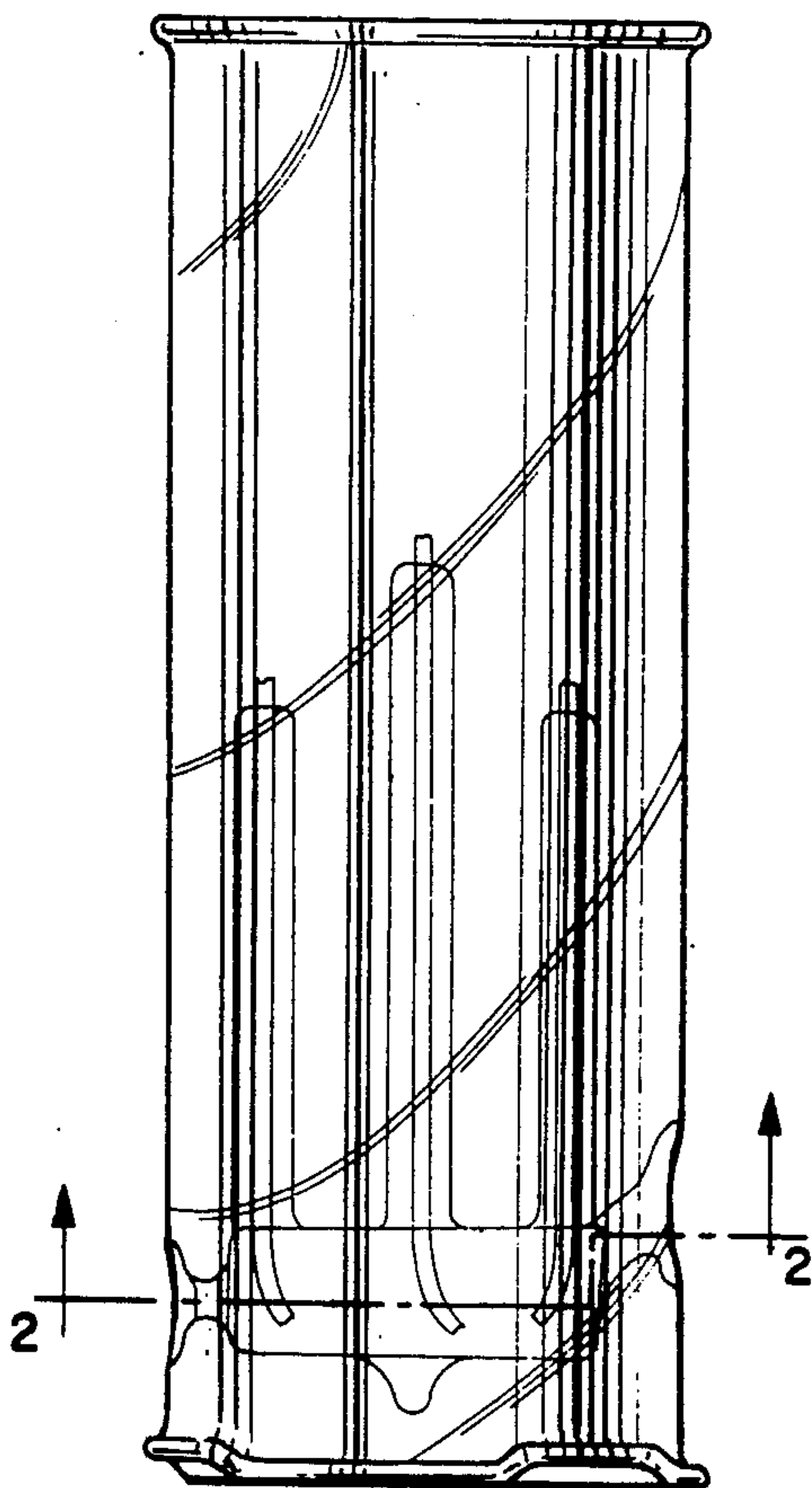
Primary Examiner—Susan J. Lucas  
Attorney, Agent, or Firm—Harvey G. Lowhurst

[57] CLAIM

The ornamental design for combined candles and container therefor.

DESCRIPTION

FIG. 1 is a front elevational view of the combined candles and container therefor showing my design; FIG. 2 is a view taken along line 2—2 of FIG. 1; FIG. 3 is a side elevational view thereof; FIG. 4 is a bottom plan view thereof,



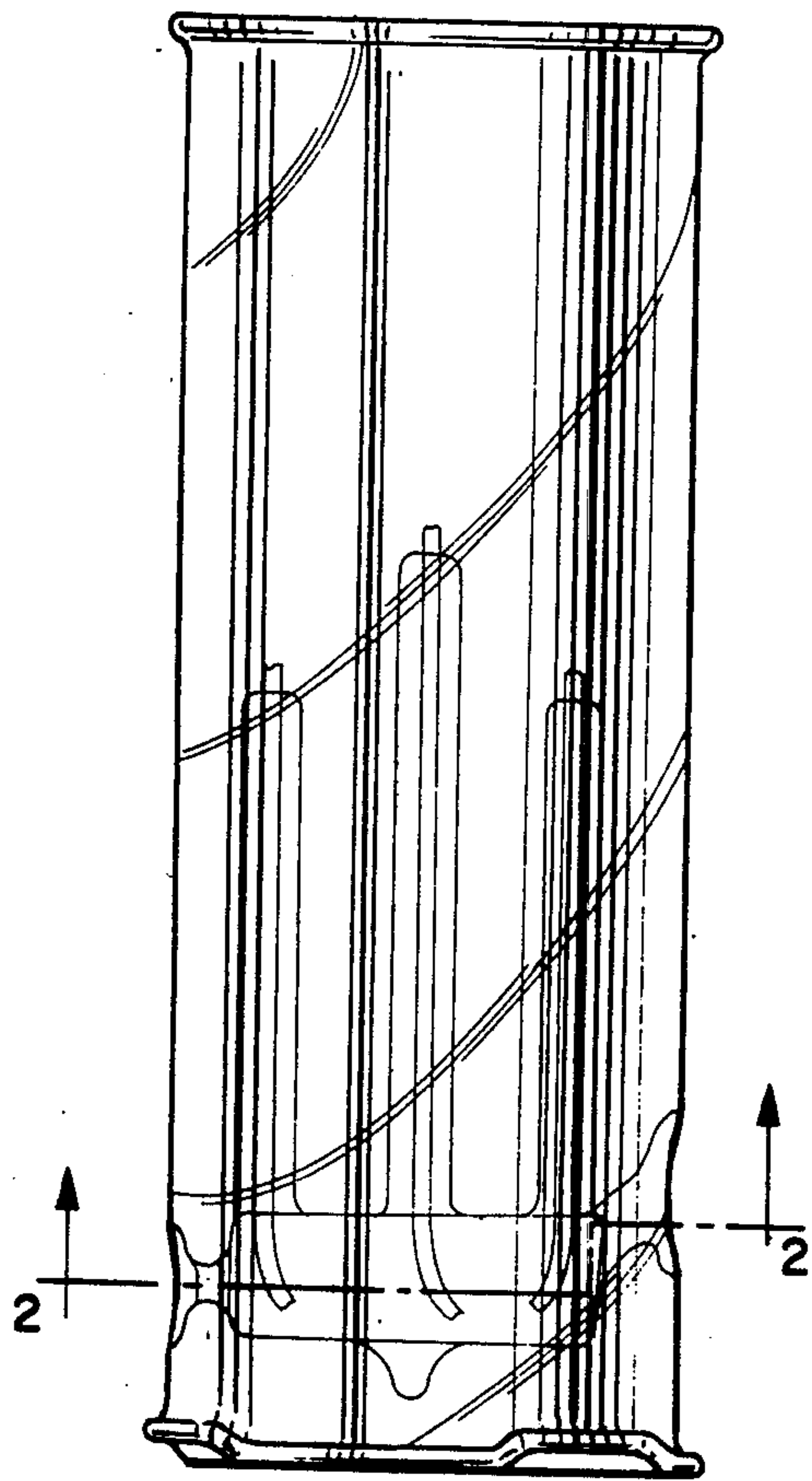


Fig. 1

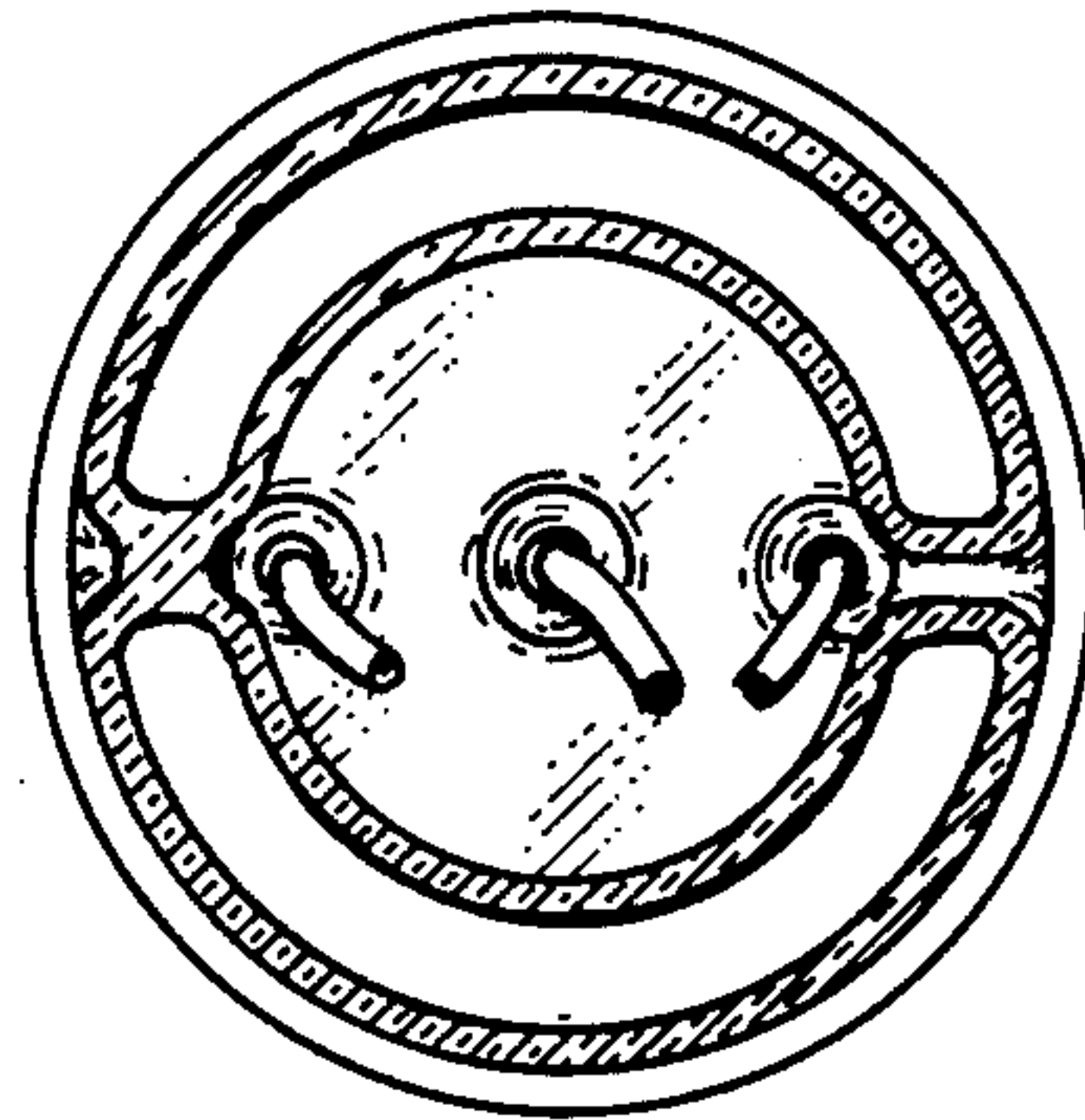


Fig. 2

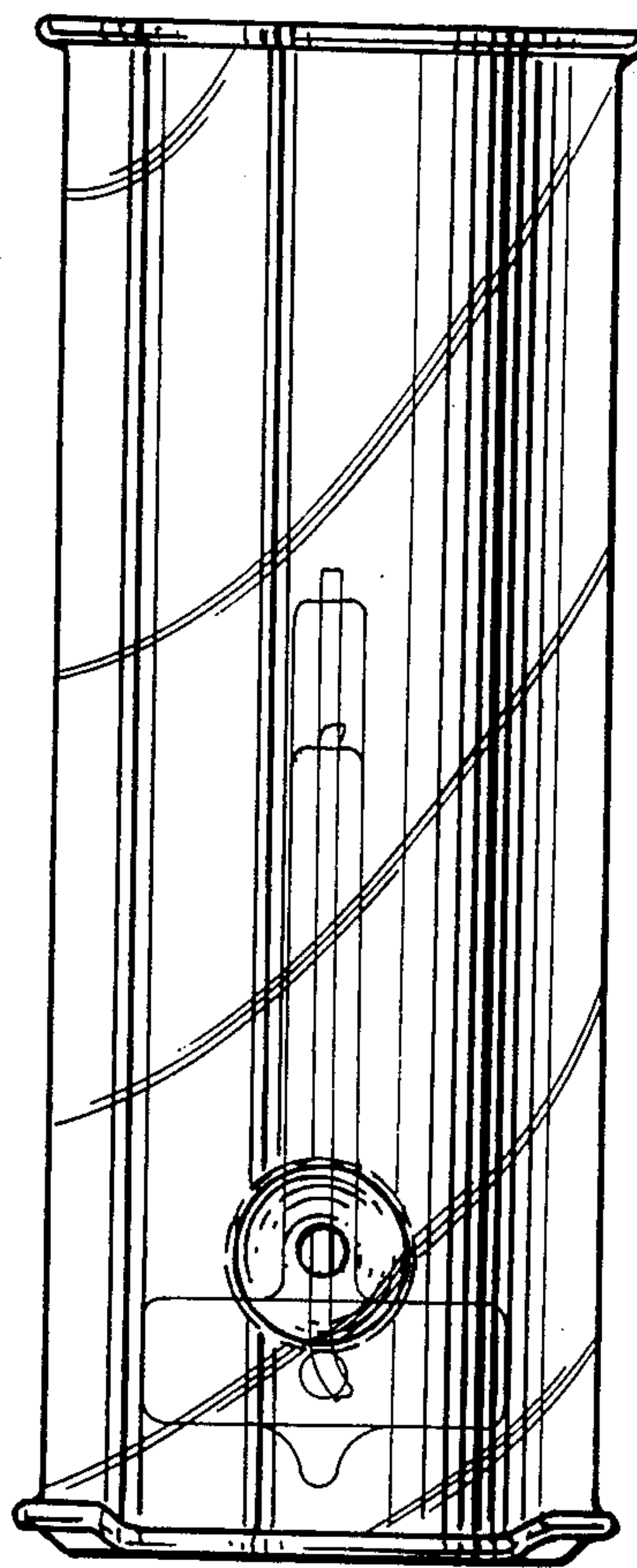


Fig. 3

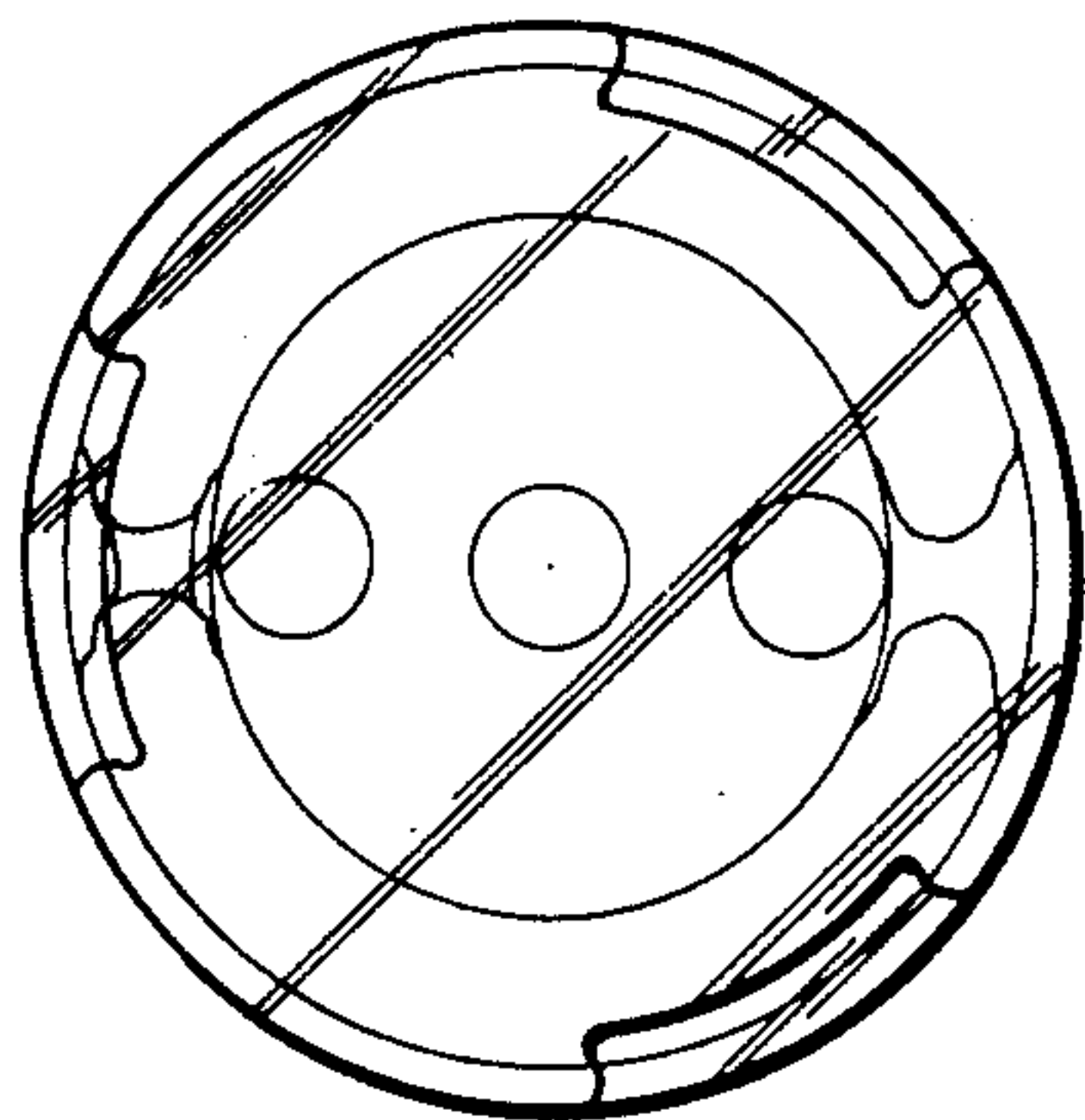


Fig. 4