

[54] SURGICAL APPLICATOR SWAB

[75] Inventor: Robert P. Julius, New York, N.Y.

[73] Assignee: Nice-Pak Products, Inc., Mt. Vernon, N.Y.

[**] Term: 14 Years

[21] Appl. No.: 816,520

[22] Filed: Jul. 18, 1977

[51] Int. Cl. D24-02; D24-04

[52] U.S. Cl. D24/63; D24/26;
D24/99; 128/269

[58] Field of Search 128/269, 2 W, 20, 260,
128/249, 244; D24/26, 99, 63

[56] References Cited

U.S. PATENT DOCUMENTS

| | | | |
|------------|---------|-----------------------|---------|
| D. 211,676 | 7/1968 | Flower, Jr. | D24/26 |
| D. 229,516 | 12/1973 | Scheurer | D24/63 |
| 2,705,009 | 3/1955 | Plantinga et al. | 128/269 |
| 3,508,547 | 4/1970 | Deuschle | 128/269 |
| 3,586,380 | 6/1971 | Alibeckoff | 128/269 |
| 4,036,230 | 7/1977 | Adams | 128/269 |

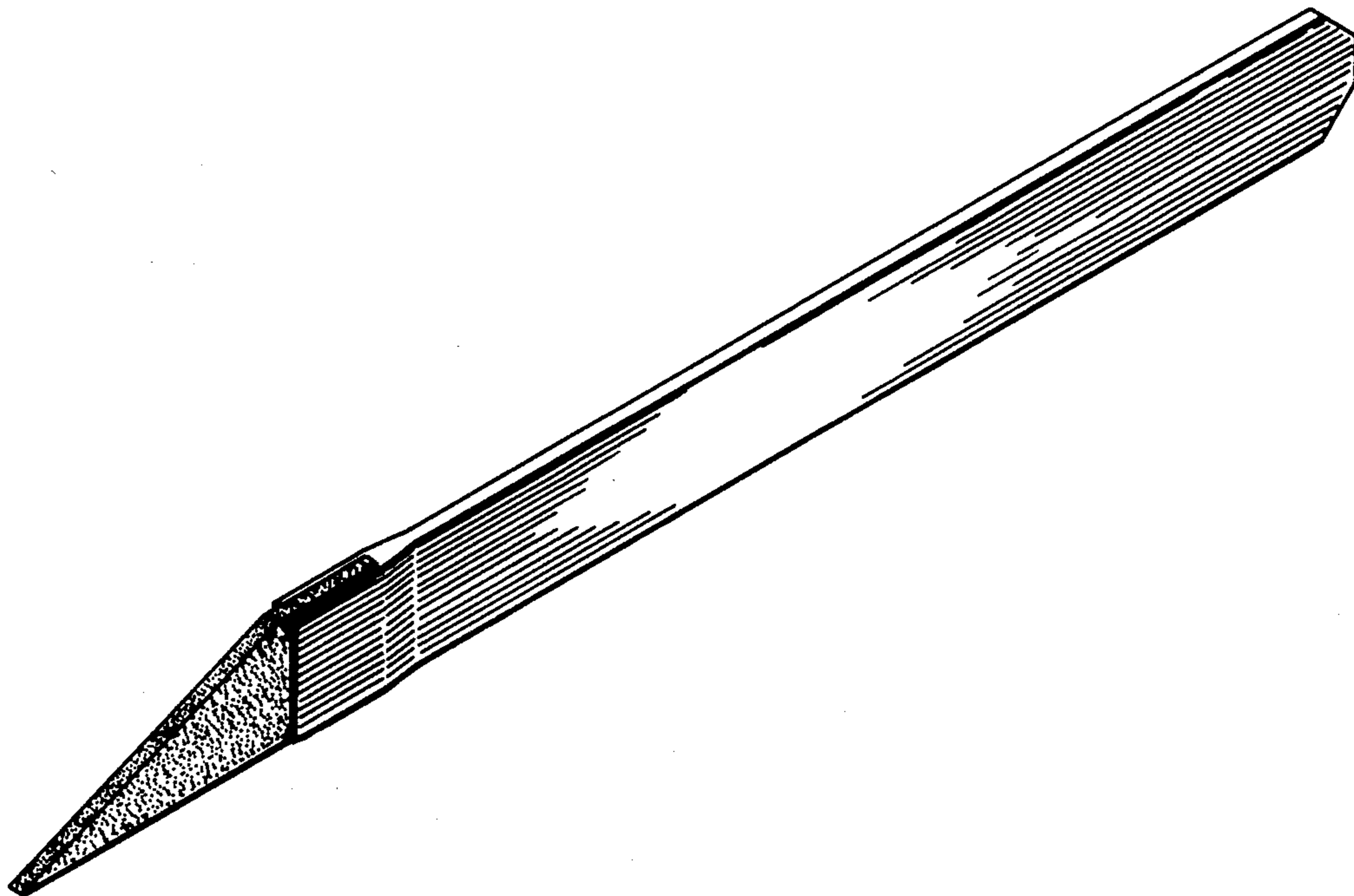
Primary Examiner—Bernard Ansher
Attorney, Agent, or Firm—Edward H. Loveman

[57] CLAIM

The ornamental design for a surgical applicator swab, substantially as shown and described.

DESCRIPTION

FIG. 1 is a perspective view of a surgical applicator swab showing my new design;
FIG. 2 is a front elevational view thereof;
FIG. 3 is a rear elevational view thereof;
FIG. 4 is a left side elevational view thereof; and
FIG. 5 is a right side elevational view thereof.



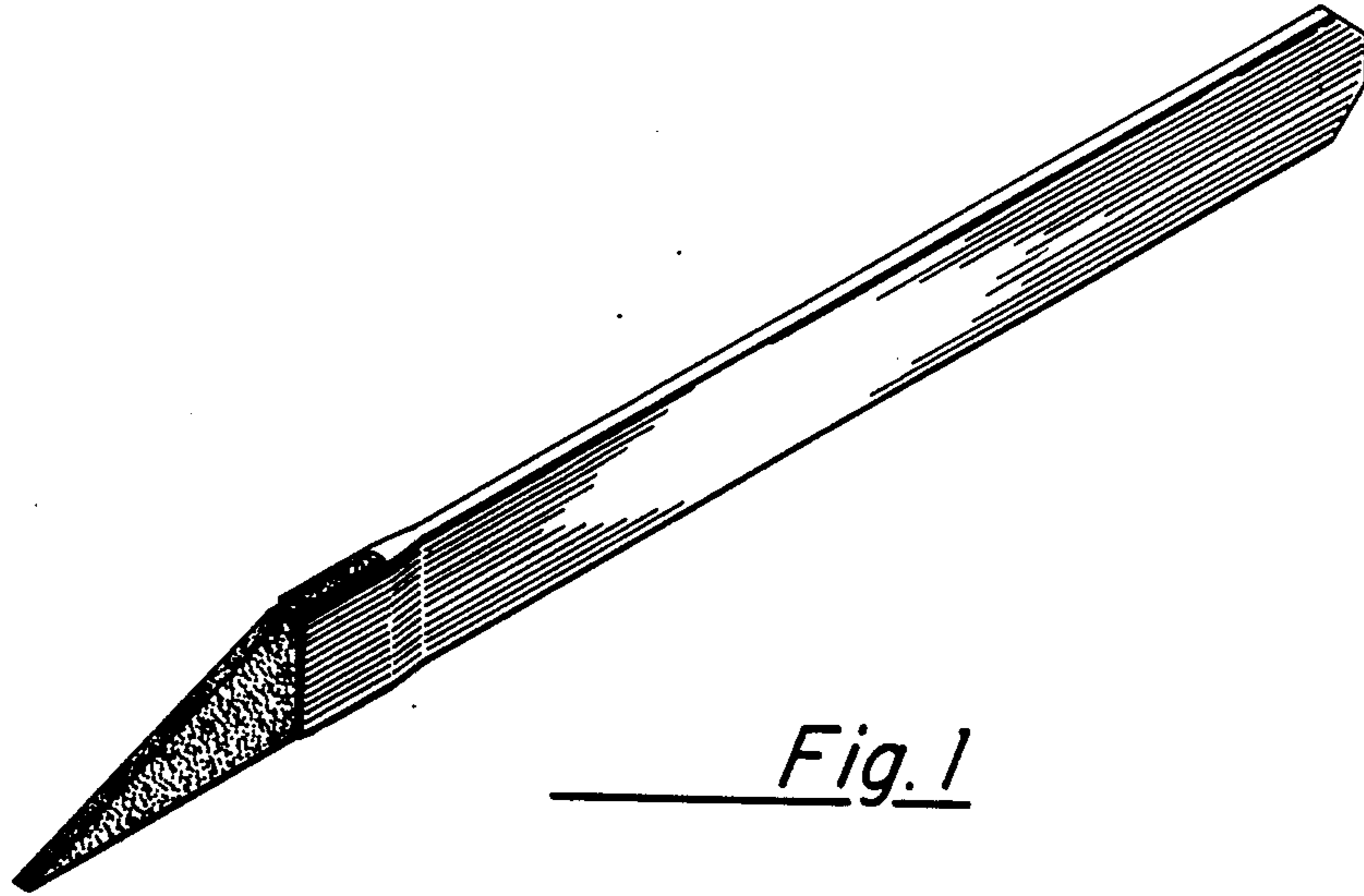


Fig. 1

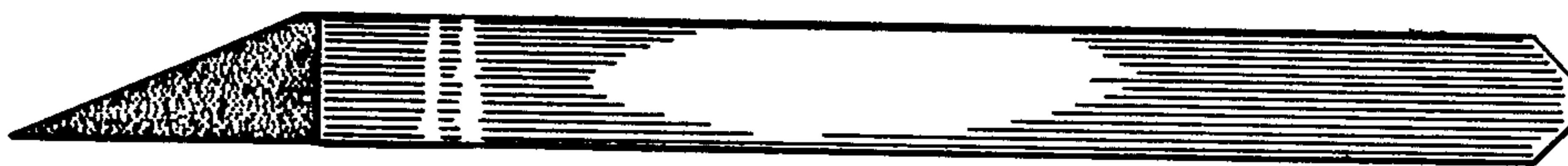


Fig. 2

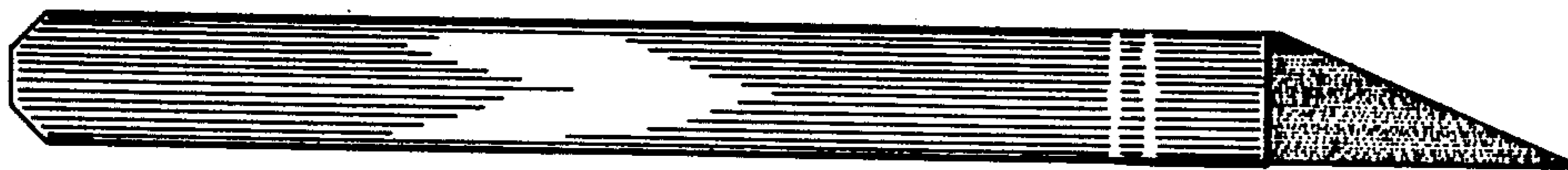


Fig. 3



Fig. 4



Fig. 5