

[54] SURGICAL INSTRUMENT TRAY

[75] Inventors: **Tore Alexander Forsman,**
Saltsjöbaden; **Christer Odvik,**
Djursholm, both of Sweden

[73] Assignees: **Toringe Consult AB; Christer Odvik**
AB

[**] Term: **14 Years**

[21] Appl. No.: **674,277**

[22] Filed: **Apr. 6, 1978**

[30] **Foreign Application Priority Data**

Oct. 7, 1975 [SE] Sweden 2014/75

[51] Int. Cl. **D24—02; D24—99**

[52] U.S. Cl. **D24/31; D24/32;**
D9/187

[58] Field of Search **D9/187, 185; 206/557,**
206/562, 564, 592, 591, 594, 561; D24/31, 32

[56]

References Cited

U.S. PATENT DOCUMENTS

D. 204,113	3/1966	Cranfill et al.	D24/31
D. 204,258	4/1966	Barrantes et al.	D24/32
D. 221,908	9/1971	Berkowitz	D24/31
D. 226,266	2/1973	Rem et al.	D24/31
D. 227,180	6/1973	Brodsky	D24/32
D. 234,404	2/1975	Merrill	D24/31
3,304,219	2/1967	Nickerson	206/591
3,708,709	1/1973	Morrison et al.	206/561

Primary Examiner—Bernard Ansher
Attorney, Agent, or Firm—Robert Osann

[57]

CLAIM

The ornamental design for a surgical instrument tray, as shown and described.

DESCRIPTION

FIG. 1 is a top perspective view of a surgical instrument tray, showing our new design; the insert element has been omitted for clarity of illustration; FIG. 2 is a bottom perspective view thereof; and FIG. 3 is a top perspective view of the surgical tray with the insert positioned therein.

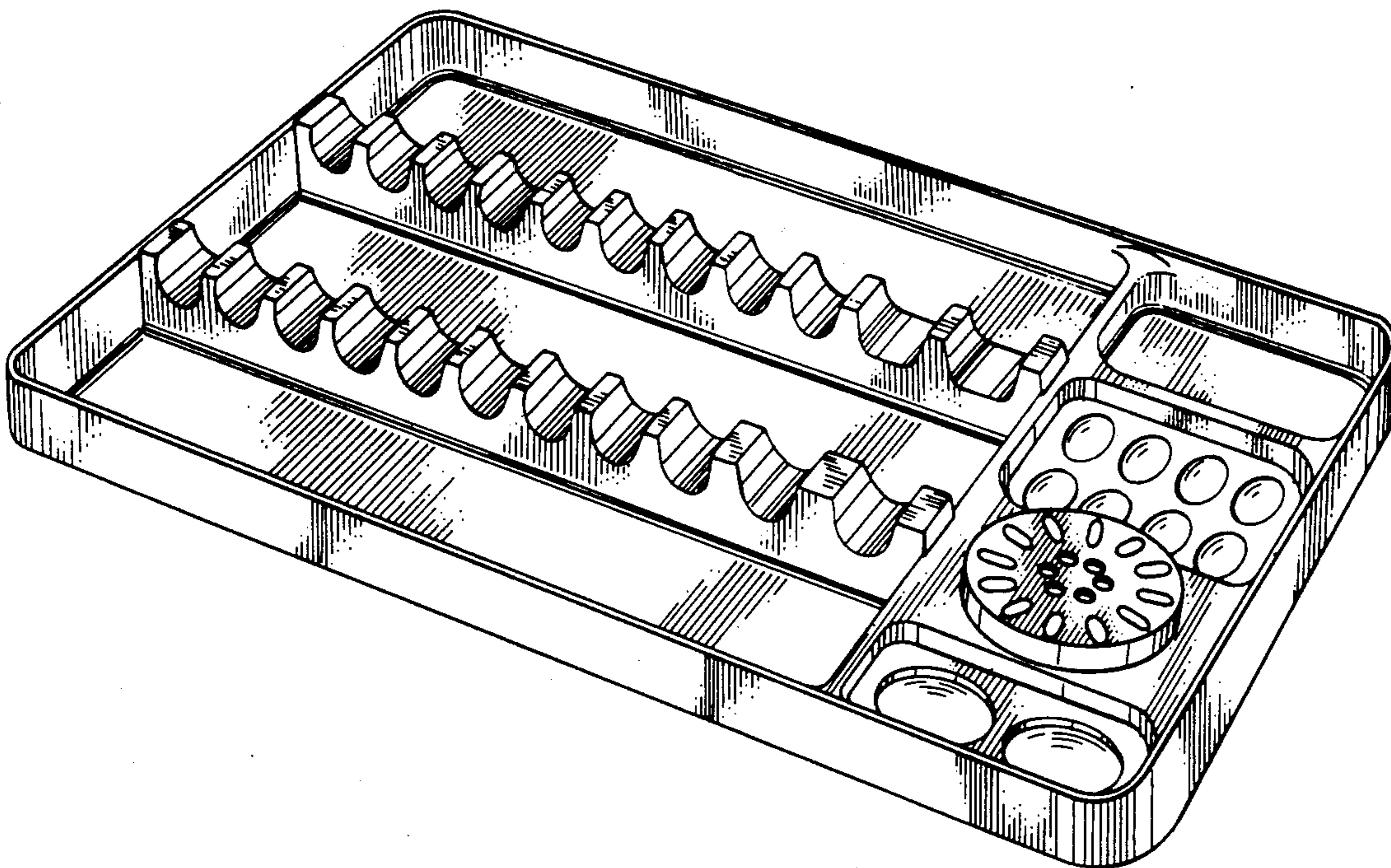


FIG. 1

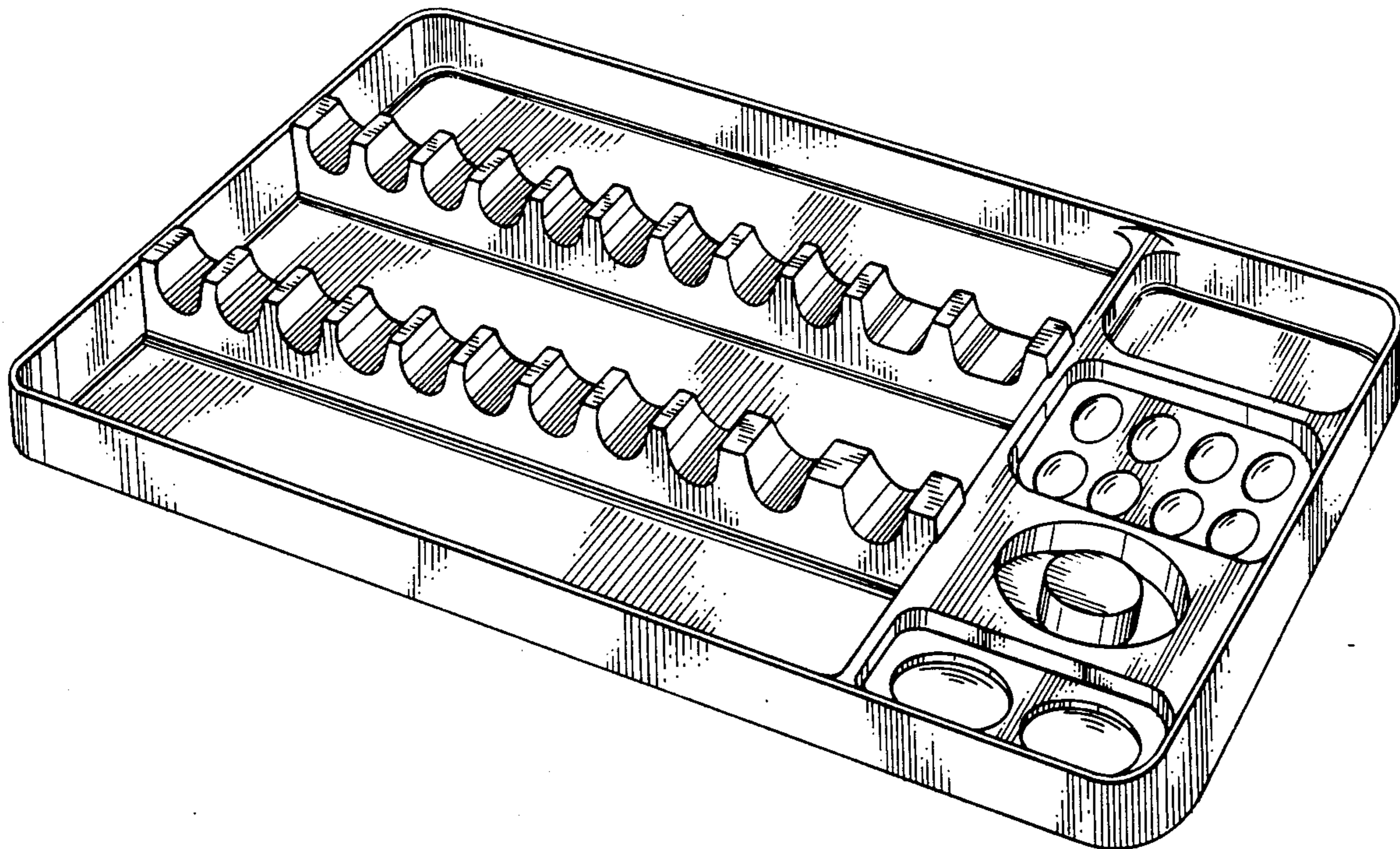


FIG. 2

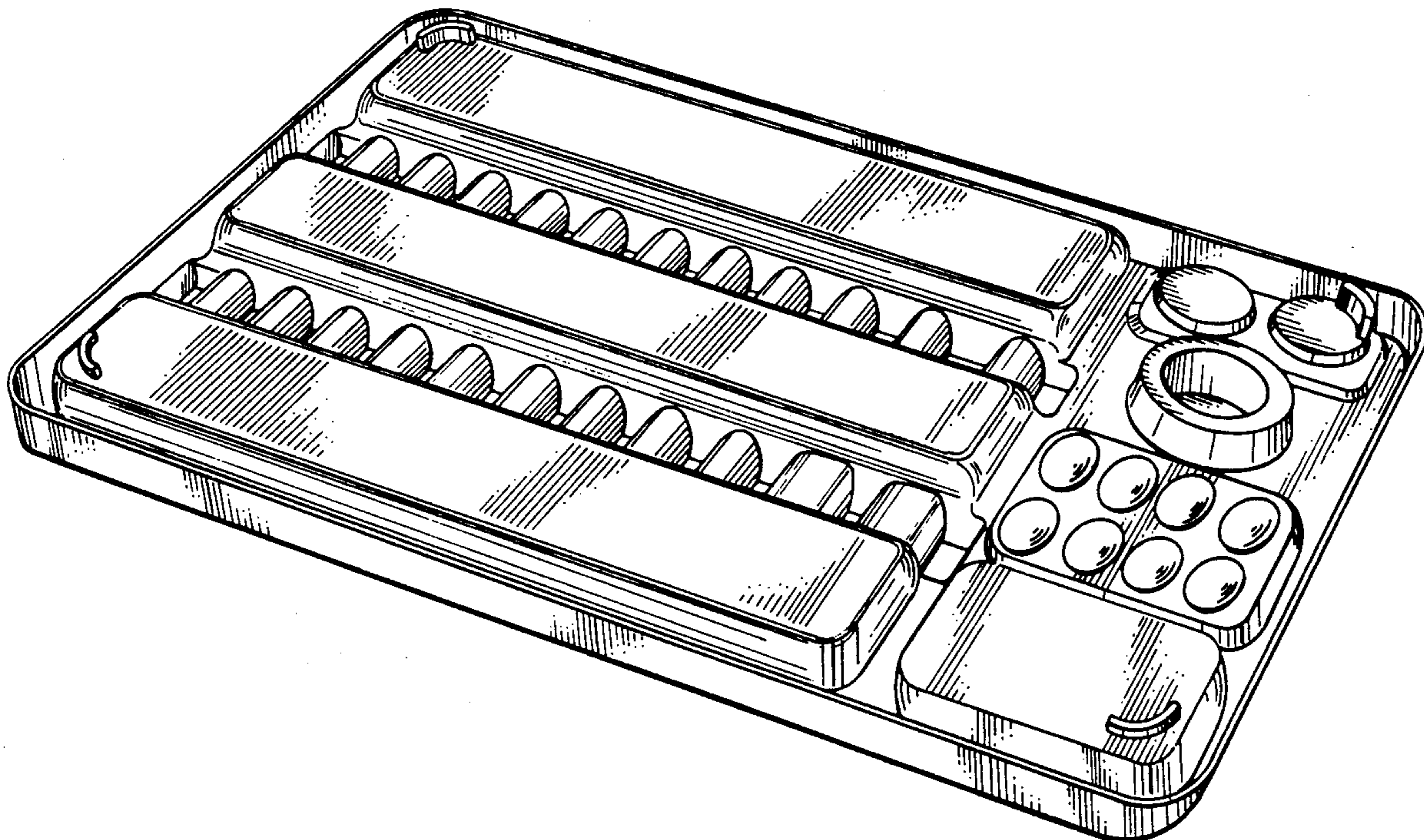


FIG. 3

