

[54] THERAPY TABLE

[76] Inventor: **Frederic V. Lacock**, 240 Woodland, Barrington, Ill. 60010

[**] Term: **14 Years**

[21] Appl. No.: **755,617**

[22] Filed: **Dec. 30, 1976**

[51] Int. Cl. **D24-01; D6-03**

[52] U.S. Cl. **D24/3; D6/17; 128/70; 269/322**

[58] Field of Search **5/60, 67; 269/322, 328; D6/17, 37, 38, 58, 59; 128/33, 70; D24/3**

[56] **References Cited**

U.S. PATENT DOCUMENTS

- D. 219,493 12/1970 Hennessee D24/3
- D. 237,654 11/1975 Agatani D24/3

- D. 244,627 6/1977 Ryan D6/17
- 2,926,660 3/1960 Thompson 128/70
- 3,747,916 7/1973 Benson 269/322
- 3,821,952 7/1974 Binegar 128/70

Primary Examiner—Bernard Ansher
Attorney, Agent, or Firm—Matthew C. Thompson

[57] **CLAIM**

The ornamental design for the therapy table, as shown and described.

DESCRIPTION

FIG. 1 is a top perspective view of a therapy table showing my new design;
FIG. 2 is a top plan view thereof;
FIG. 3 is a bottom plan view thereof;
FIG. 4 is a side elevation thereof;
FIG. 5 is a front elevation thereof; and
FIG. 6 is a rear elevation thereof.

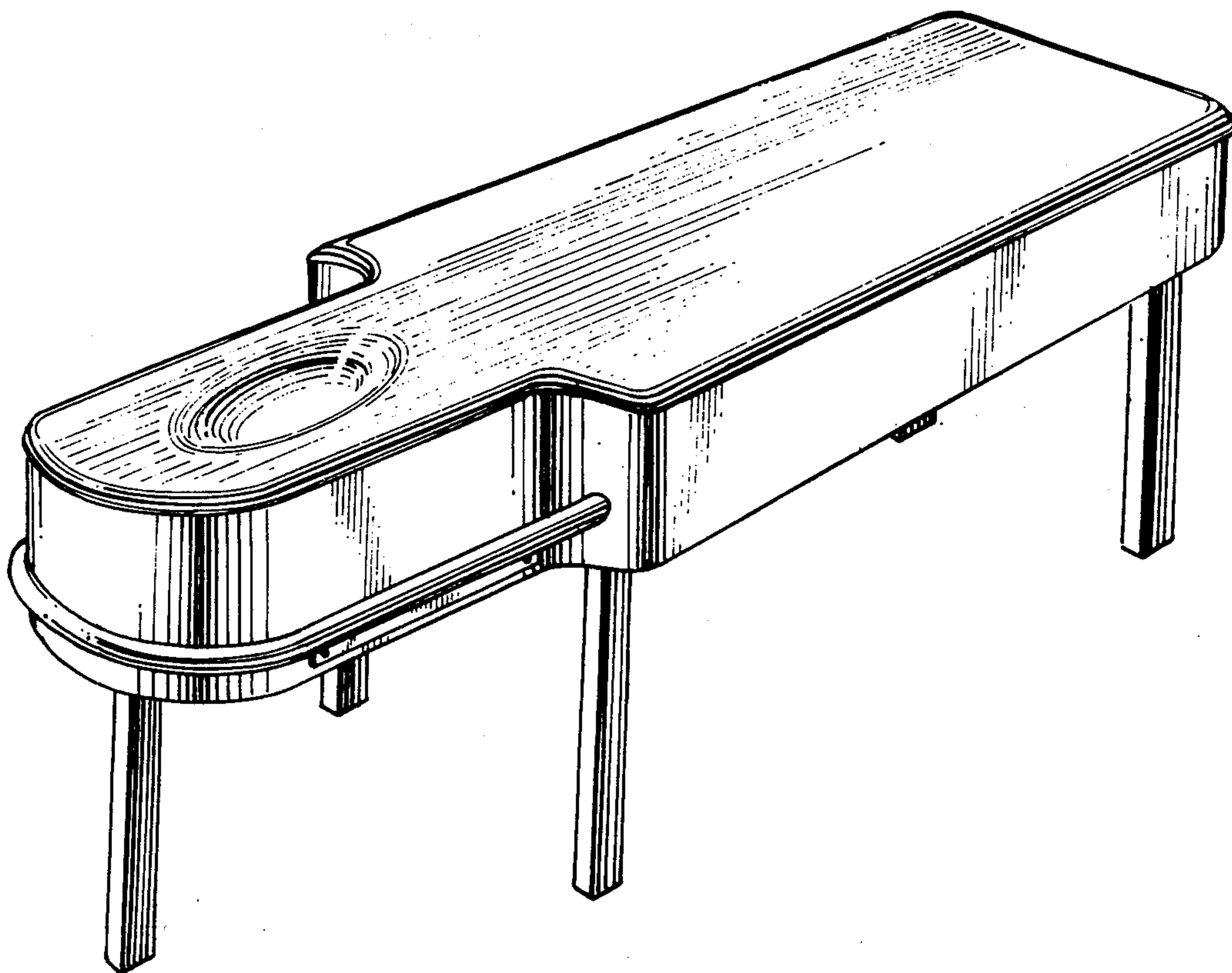


FIG. 1

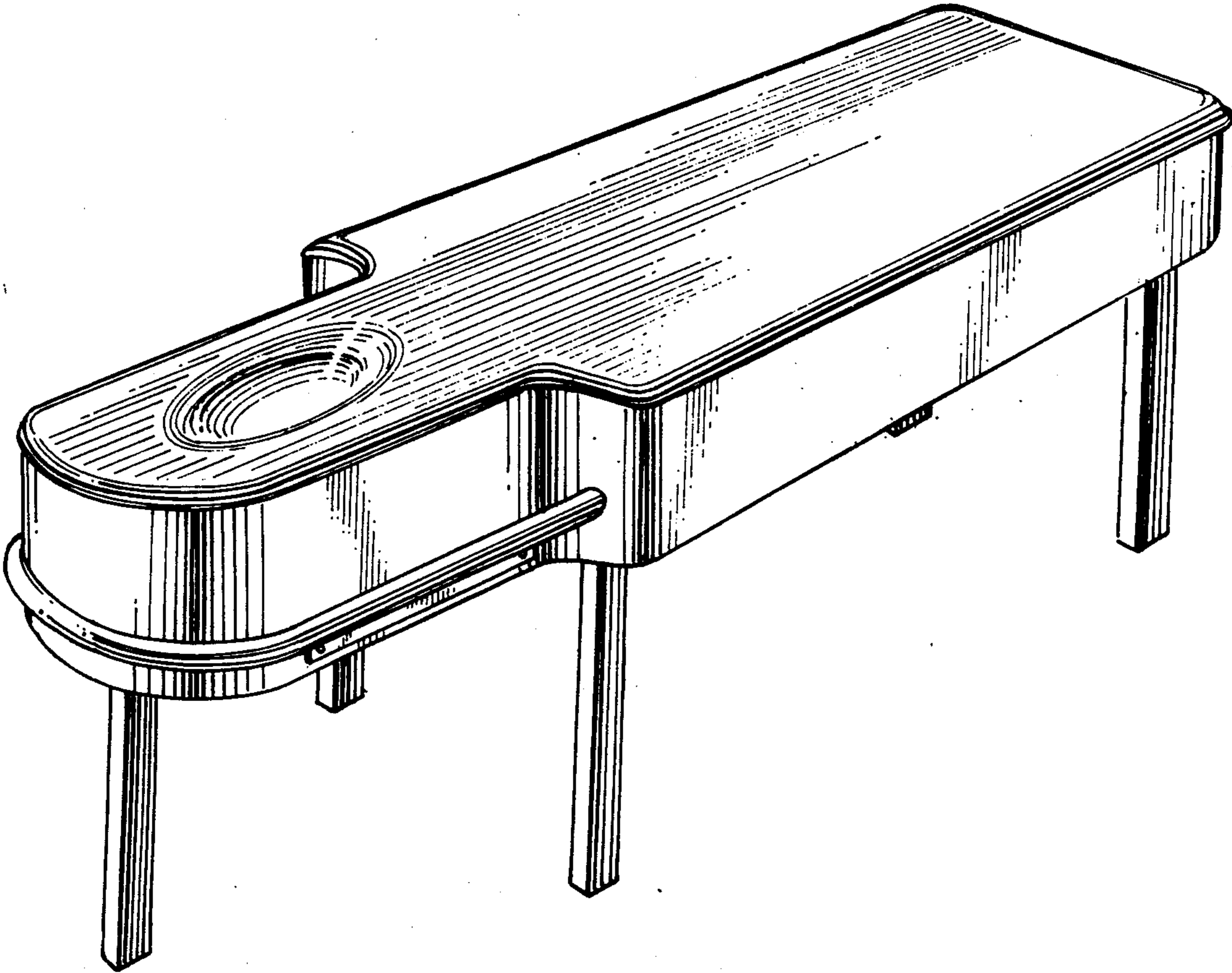


FIG. 2

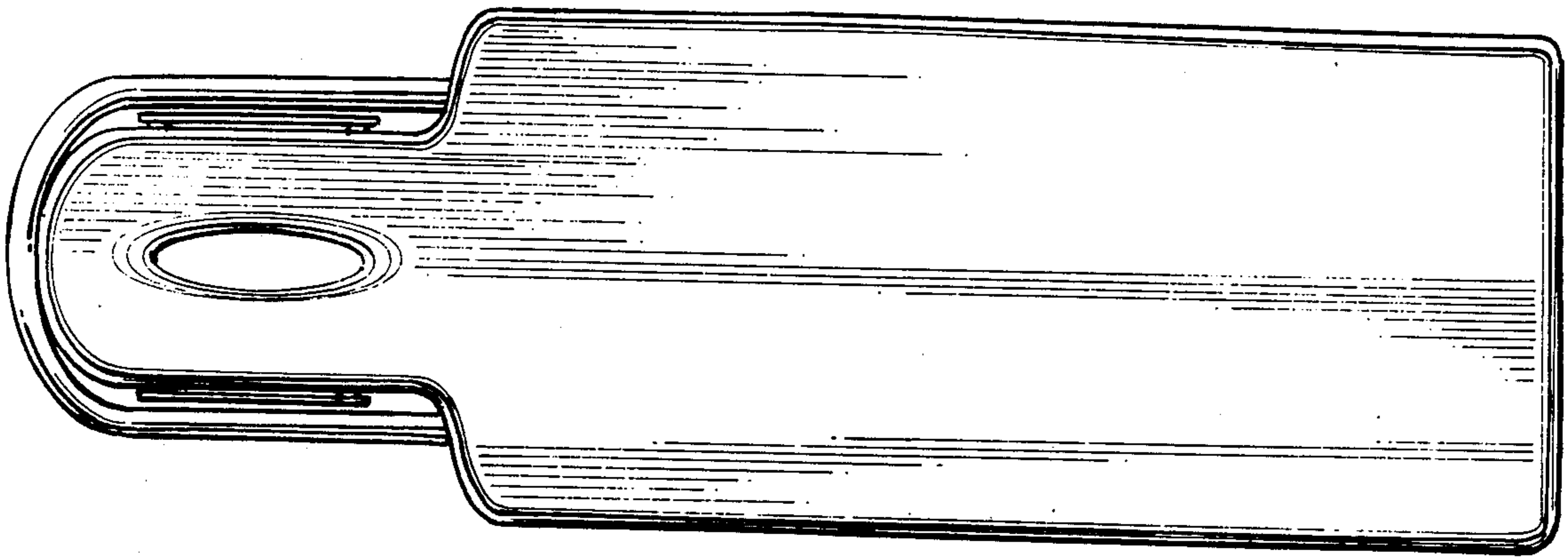


FIG. 3

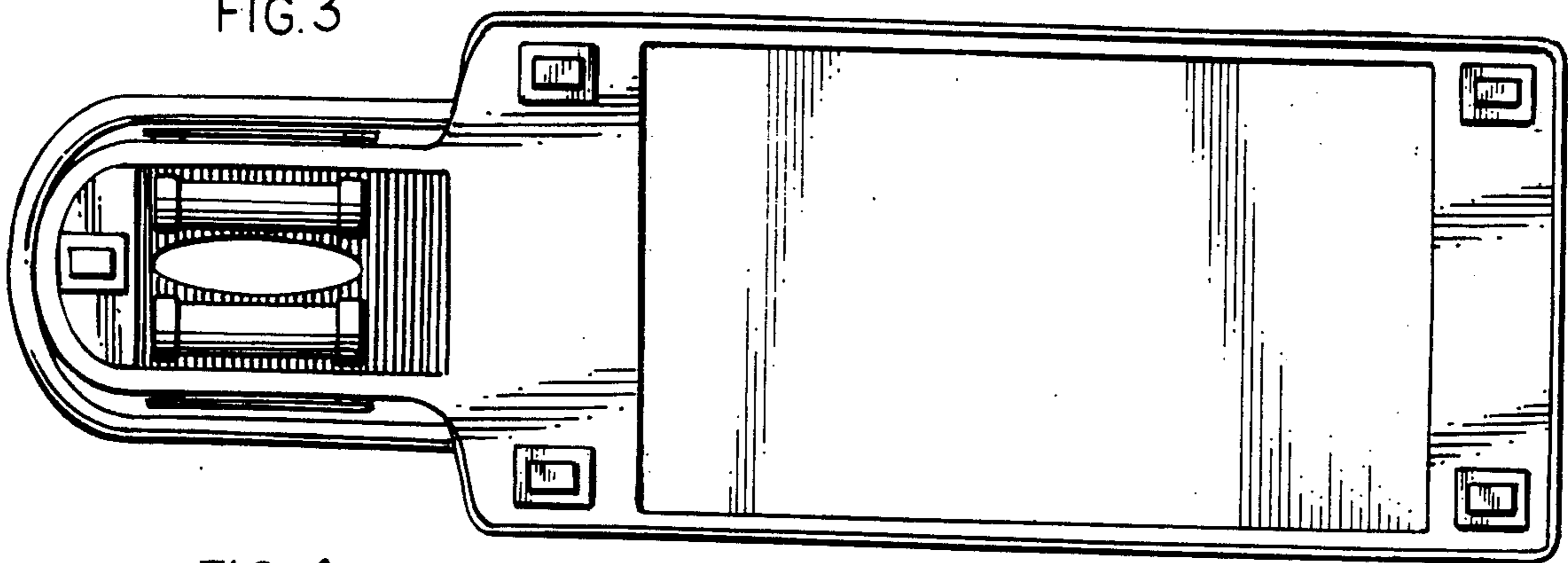


FIG. 4

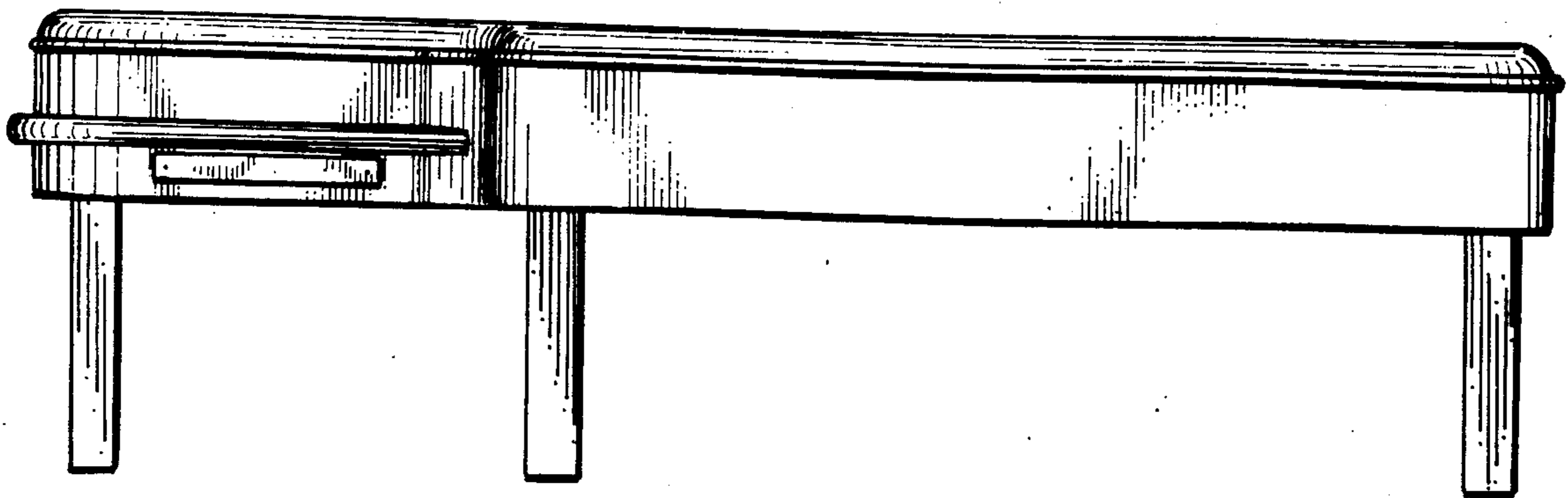


FIG. 5

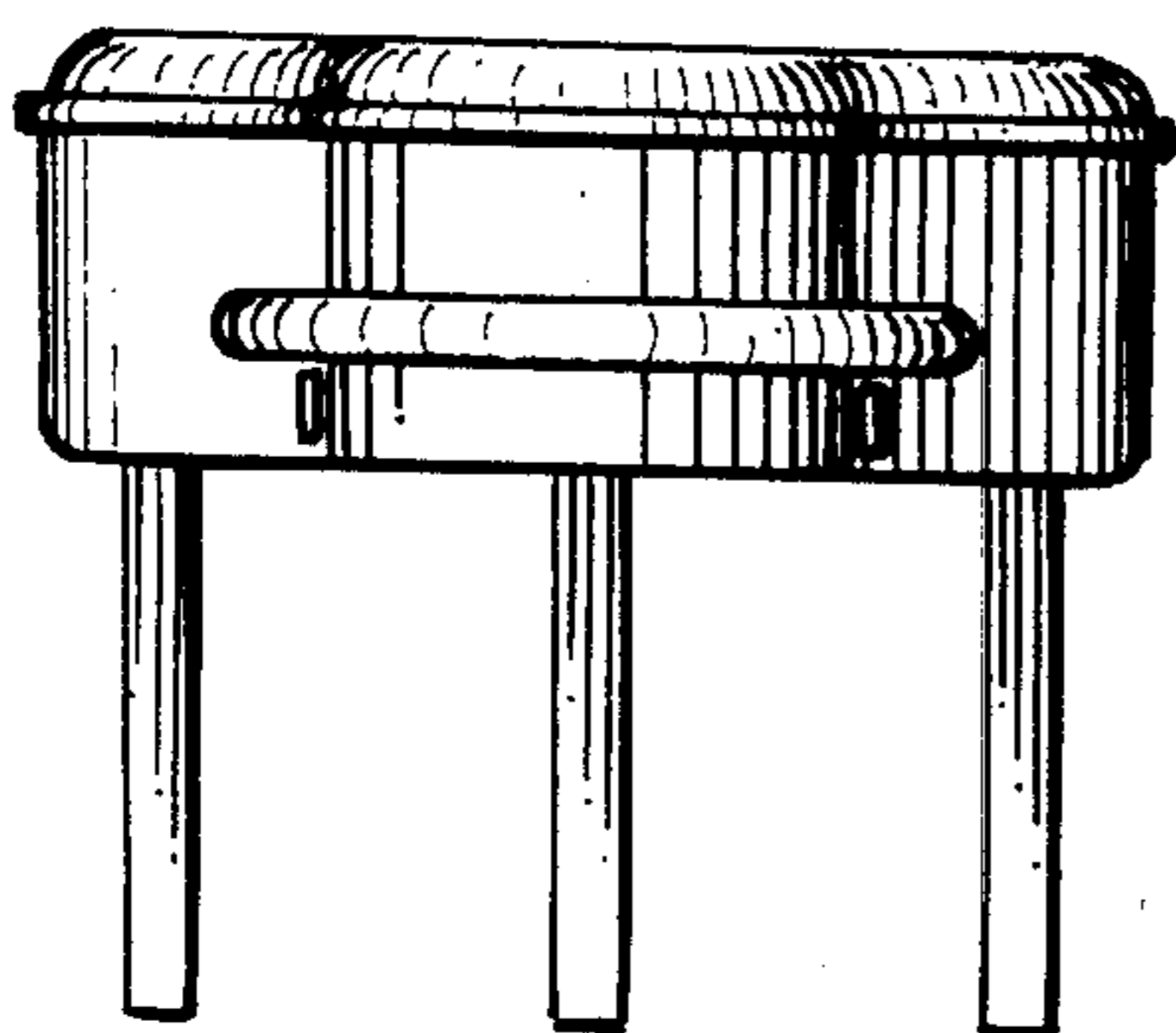


FIG. 6

