

[54] OPERATING TABLE

[75] Inventors: Michael James Forster Stott, Bromma; Bengt Häger, Täby, both of Sweden

[73] Assignee: Mo och Domsjo Aktiebolag, Ornskoldsvik, Sweden

[\*\*] Term: 14 Years

[21] Appl. No.: 687,828

[22] Filed: May 19, 1976

[30] Foreign Application Priority Data

Nov. 24, 1975 [SE] Sweden ..... 752330

[51] Int. Cl. .... D24-01

[52] U.S. Cl. .... D24/3; D6/22

[58] Field of Search ..... D24/6; 269/323; 5/60, 5/68, 67; D6/22

[56] References Cited

U.S. PATENT DOCUMENTS

D. 106,208 9/1937 Vigne ..... D24/3

D. 231,864	6/1974	Berne .....	D24/3
3,851,870	12/1974	Cook .....	269/322
3,866,899	2/1975	Lee .....	269/322
4,002,330	1/1977	Johansson .....	5/60 X

OTHER PUBLICATIONS

Aloe Medical Furniture and Equipment, Cat. No. 230, ©1966, p. 195, Item No. ps-s2604, champagne ob table.

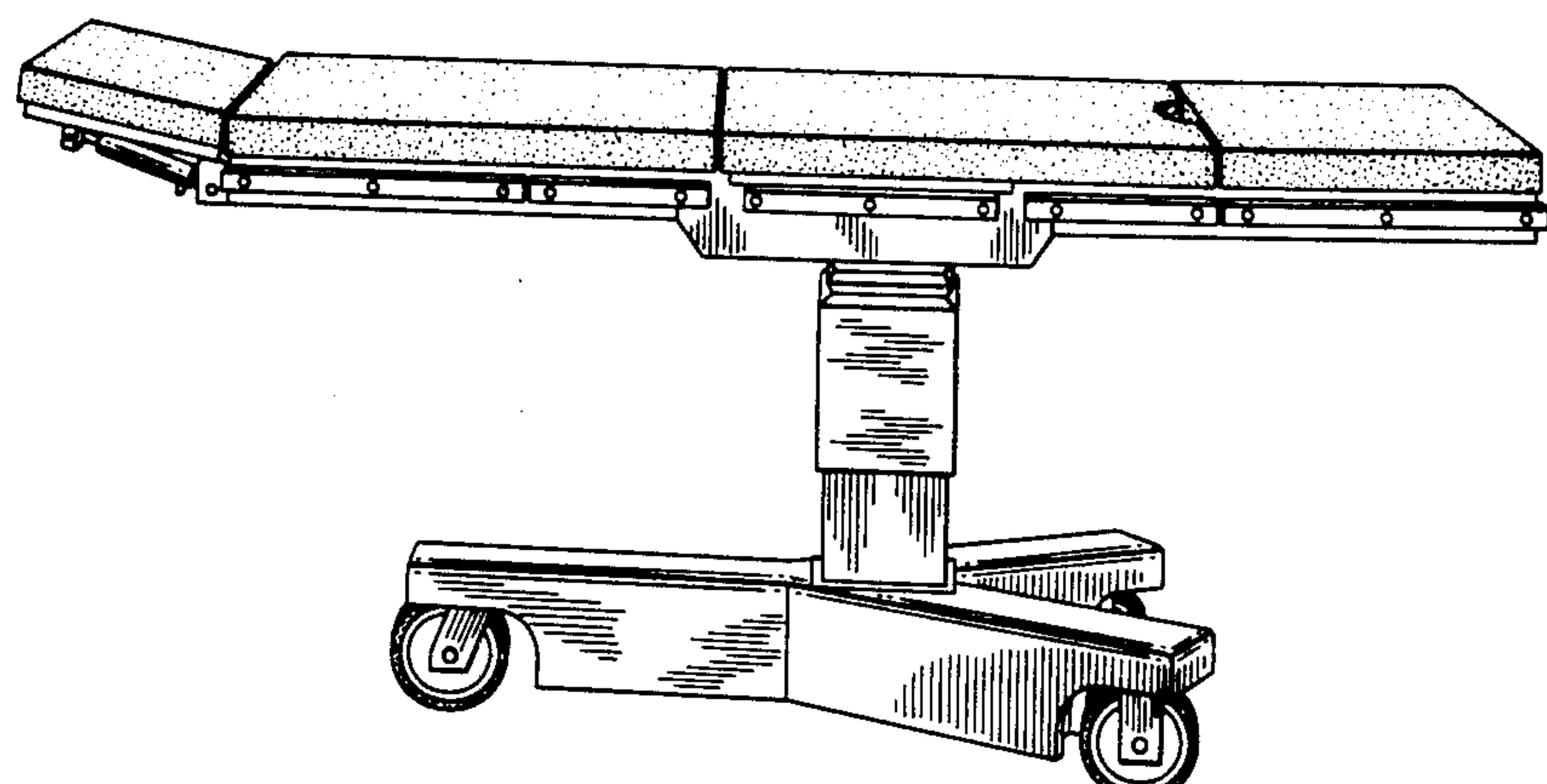
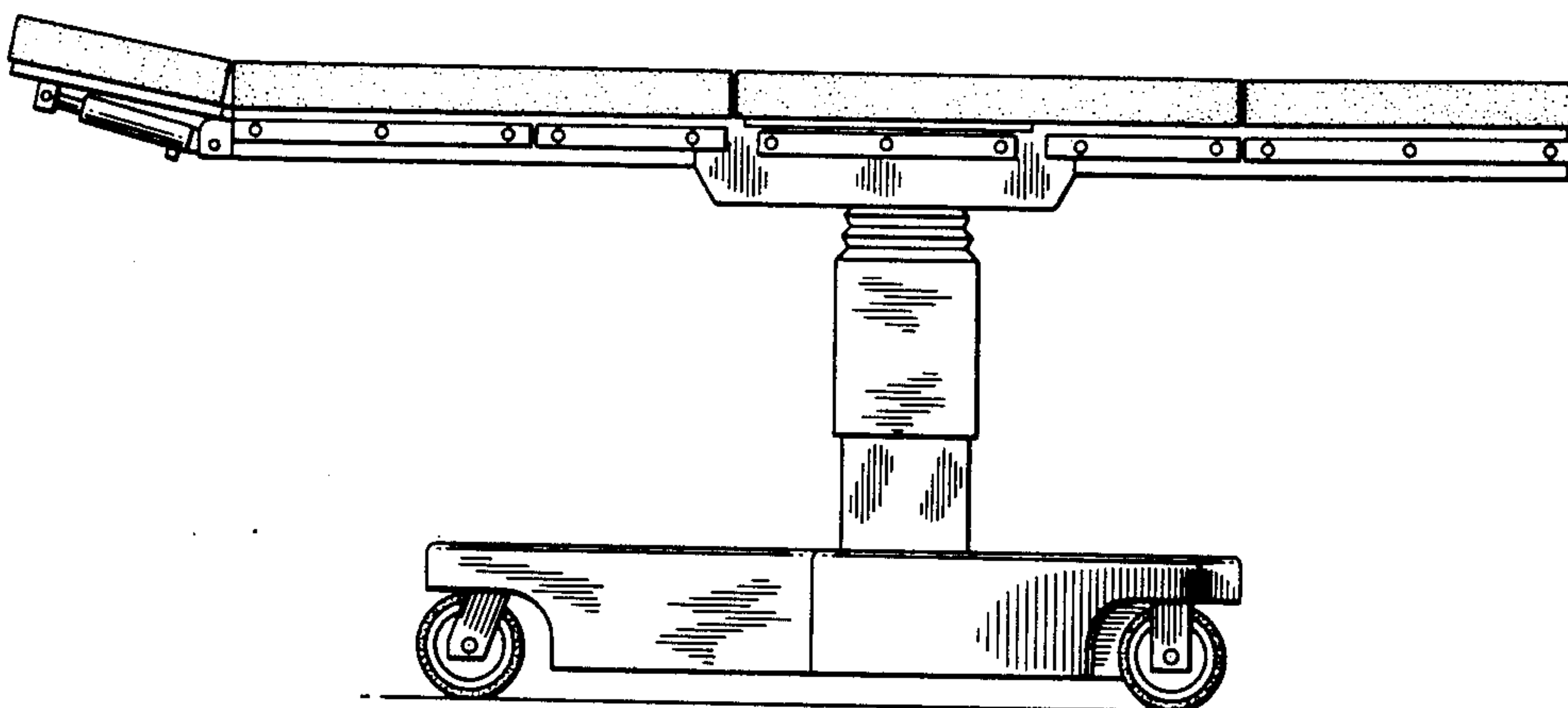
Primary Examiner—Bernard Ansher  
Attorney, Agent, or Firm—John R. Janes

[57] CLAIM

The ornamental design for an operating table, substantially as shown and described.

DESCRIPTION

FIG. 1 is a side view of one side of an operating table showing our new design;  
FIG. 2 is a top view of the operating table of FIG. 1;  
FIG. 3 is a view of one end (the lefthand end) of the operating table of FIG. 1;  
FIG. 4 is a view of the other end (the righthand end) of the operating table of FIG. 1; and  
FIG. 5 is a perspective view of the operating table of FIG. 1.



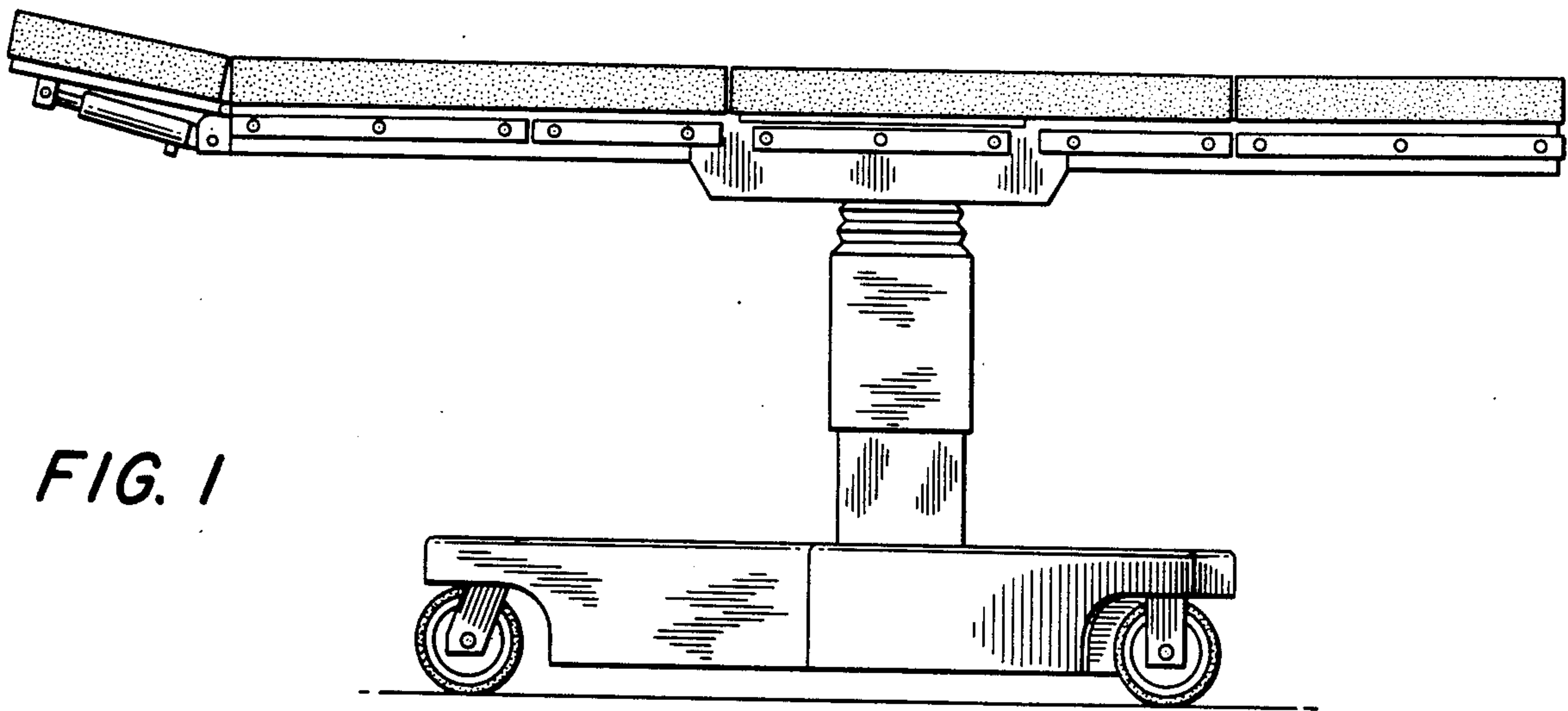


FIG. 1

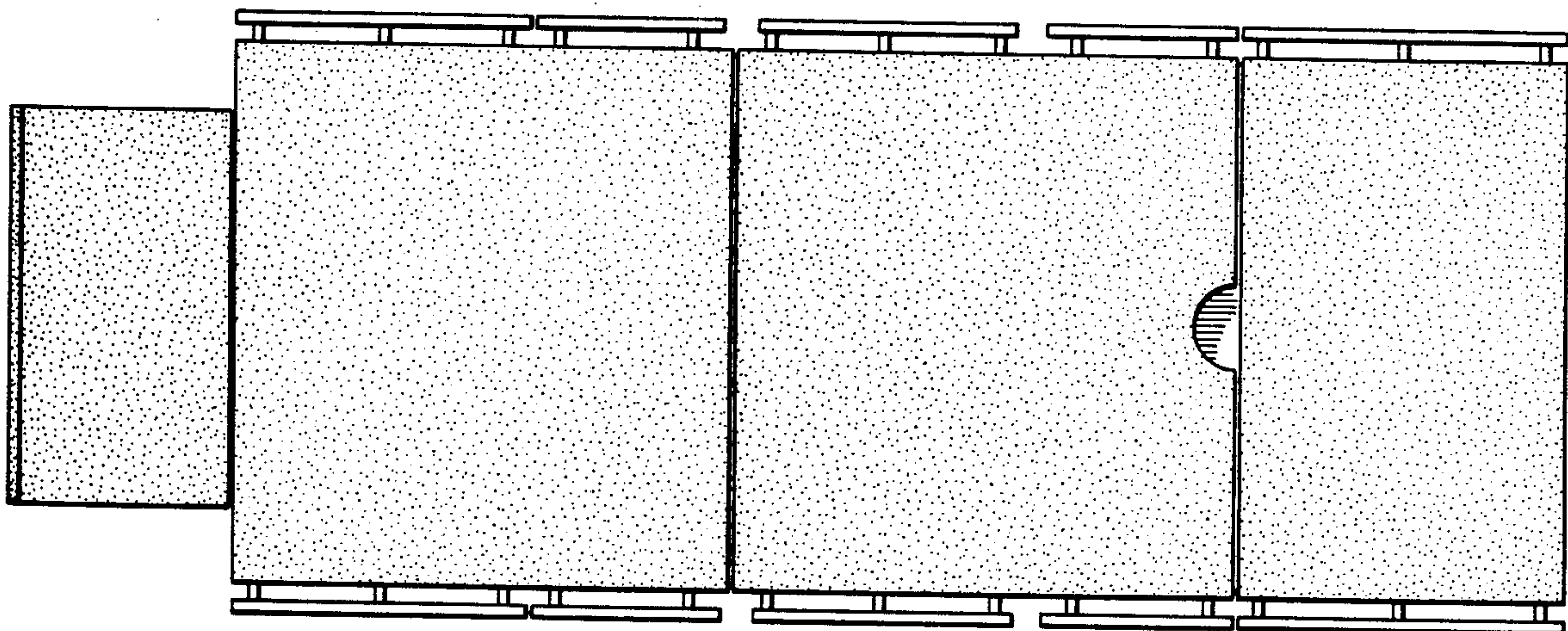


FIG. 2

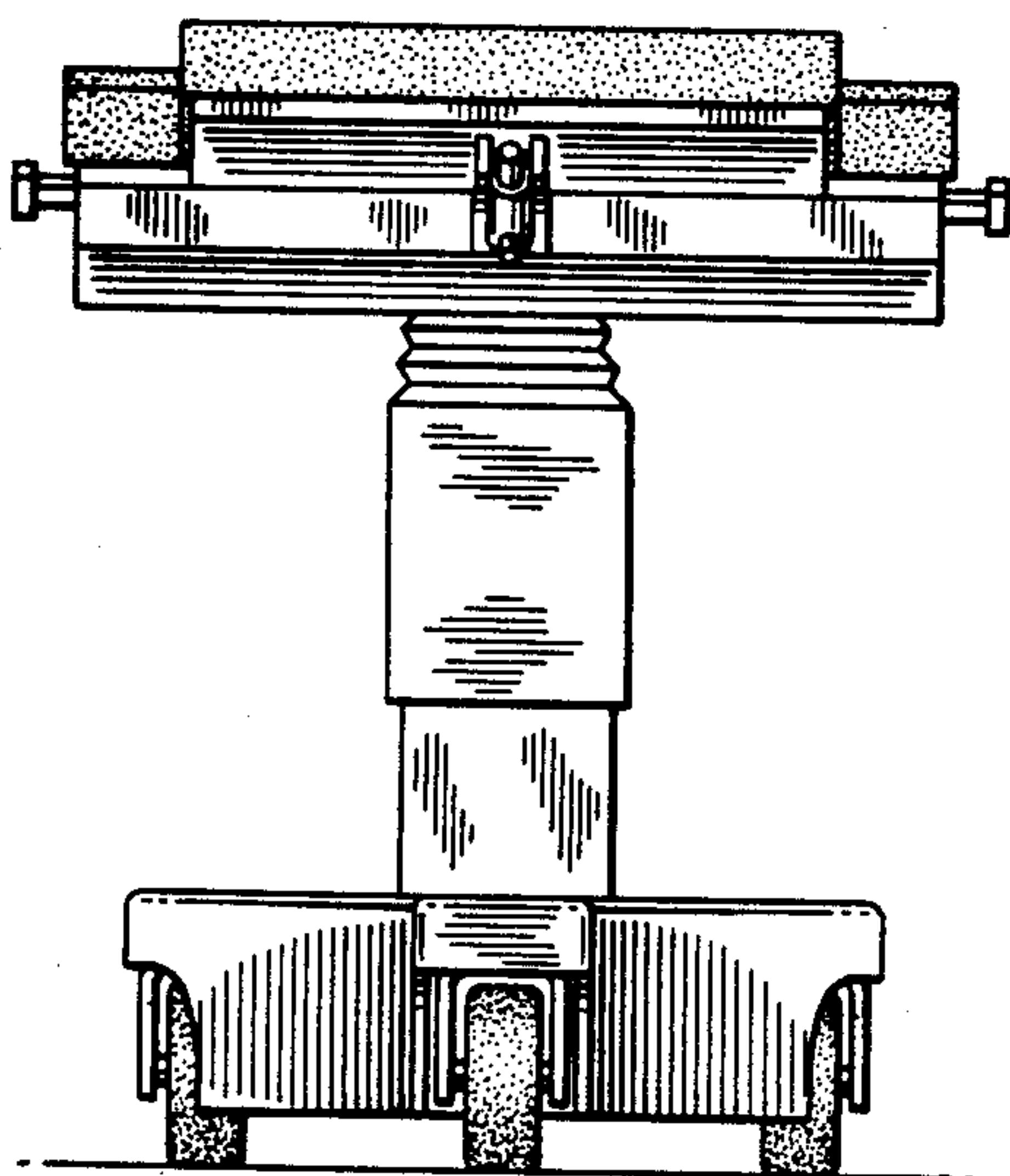


FIG. 3

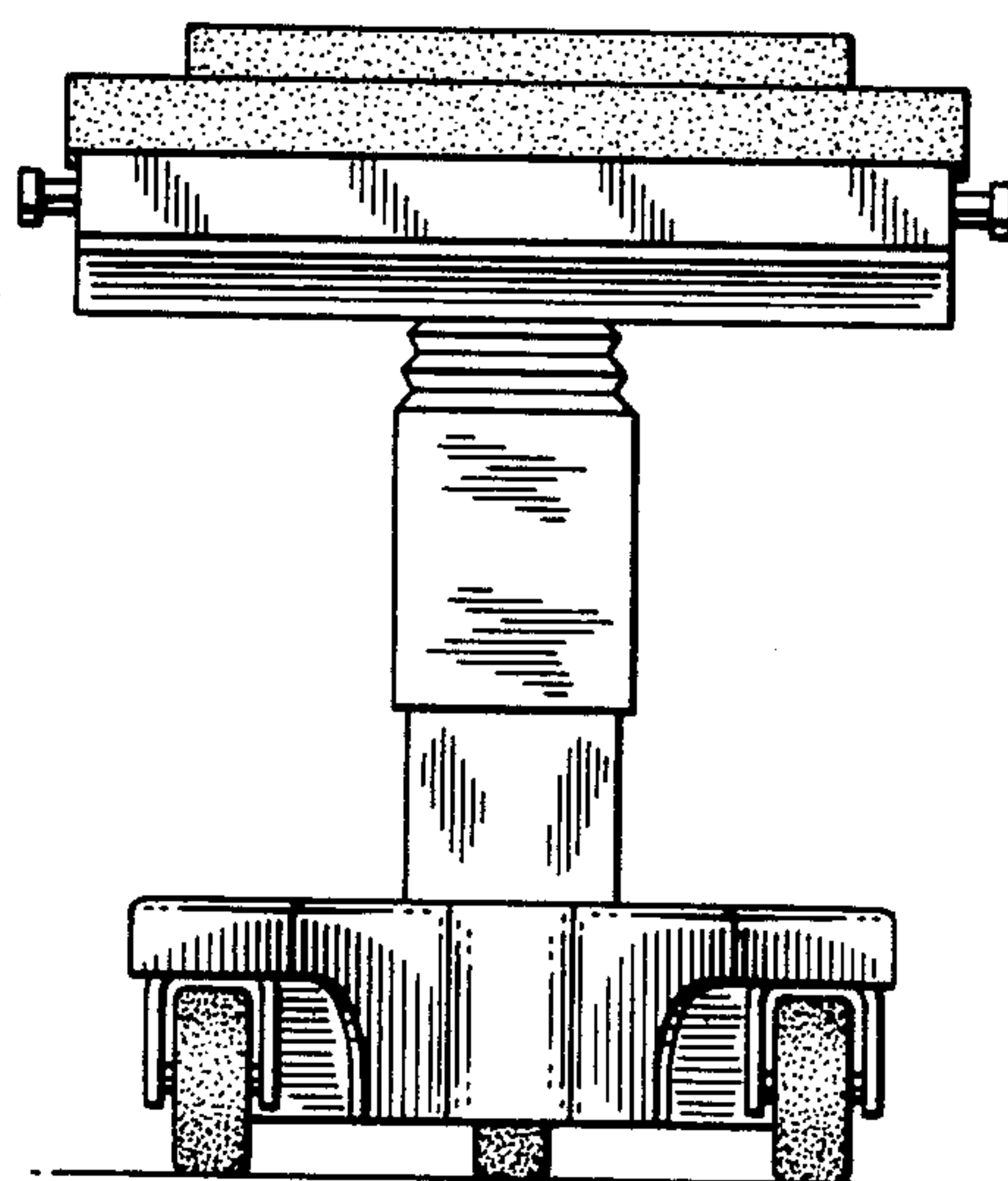


FIG. 4

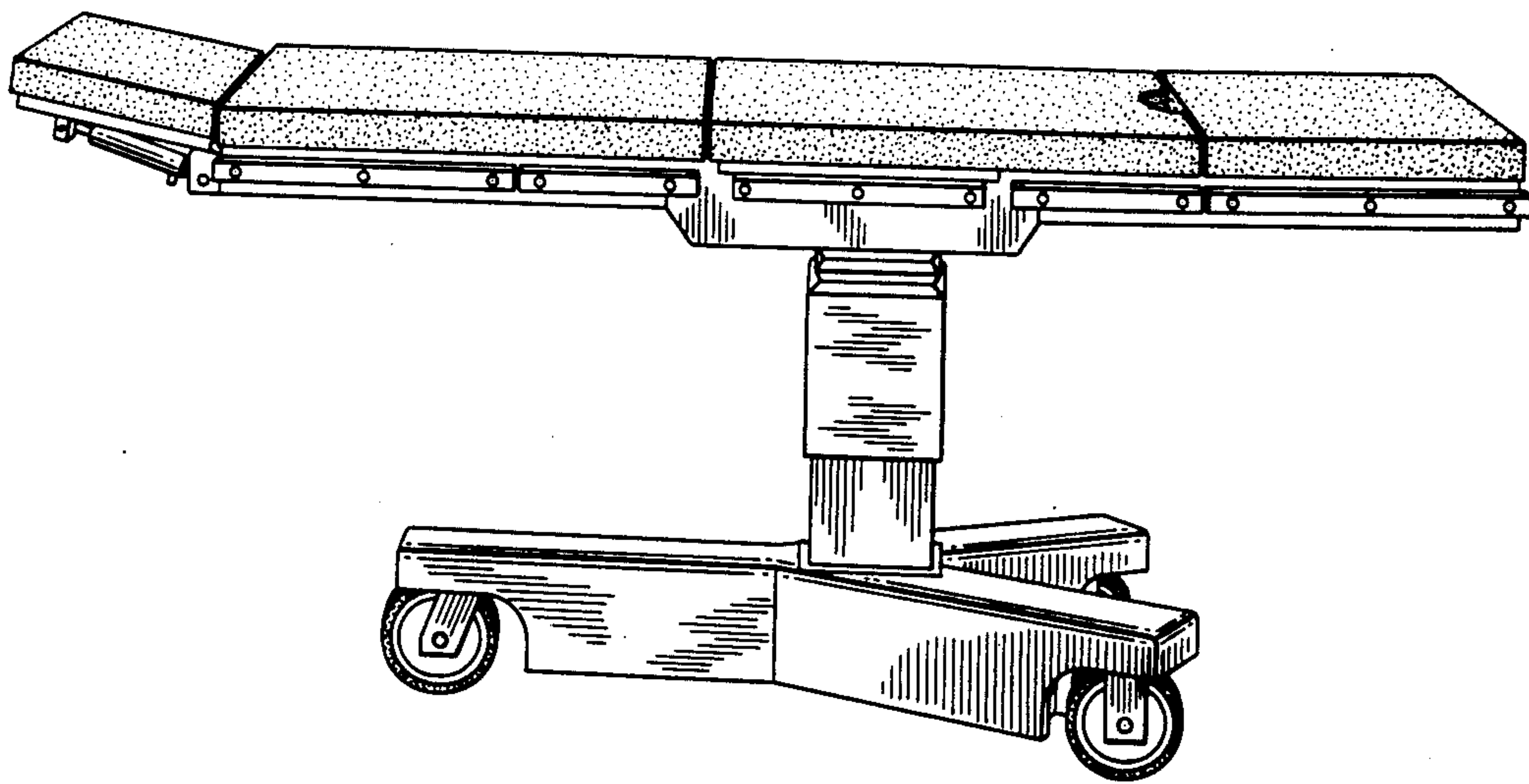


FIG. 5