

[54] COMBINED HEAT EXCHANGER AND FIREPLACE GRATE

[75] Inventor: Richard W. Mellow, Jr., Ladue, Mo.

[73] Assignee: Liberty Foundry Co., St. Louis, Mo.

[**] Term: 14 Years

[21] Appl. No.: 742,901

[22] Filed: Nov. 18, 1976

[51] Int. Cl. D23-03

[52] U.S. Cl. D23/93

[58] Field of Search D23/94-97, D23/135; D7/206-213; 126/120, 121, 138, 140, 164, 165, 202, 298

[56] References Cited

U.S. PATENT DOCUMENTS

D. 228,728	10/1973	Bergstrom	D7/207
D. 240,536	7/1976	Christophel	D23/94
D. 242,543	11/1976	Betenbaugh, Jr.	D23/96
D. 242,544	11/1973	Betenbaugh, Jr.	D23/96
D. 243,184	1/1977	Solinski	D7/207 X
3,901,212	8/1975	Stites	126/165
3,945,369	3/1976	Adams et al.	126/164

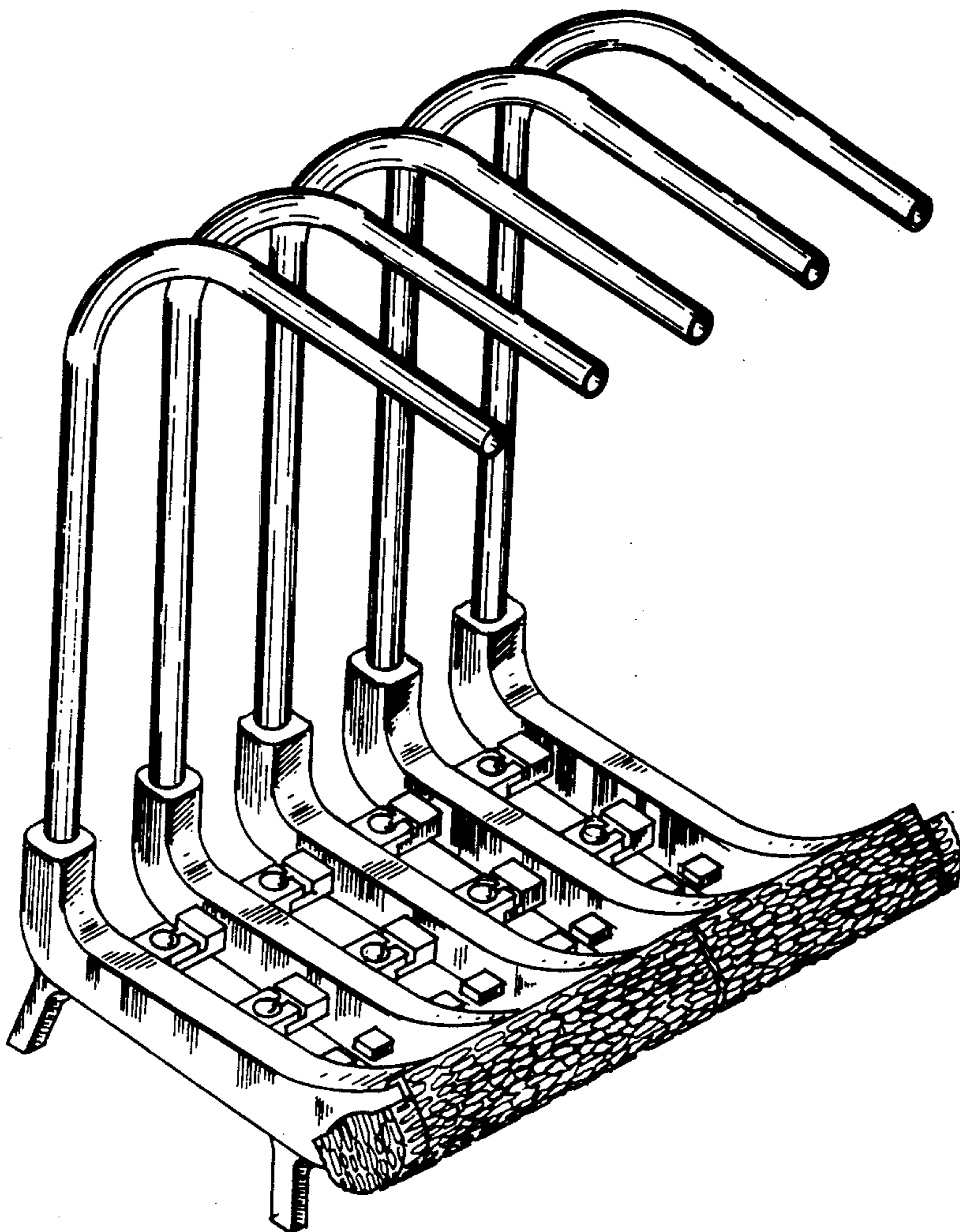
Primary Examiner—James R. Largen
Attorney, Agent, or Firm—Philip B. Polster

[57] CLAIM

The ornamental design for a combined heat exchanger and fireplace grate, as shown and described.

DESCRIPTION

FIG. 1 is a perspective view of a combined heat exchanger and fireplace grate showing my new design; FIG. 2 is a top plan view of the front section thereof; FIG. 3 is an enlarged elevational view of the left end cap thereof; FIG. 4 is an enlarged cross sectional view taken on line 4-4 of FIG. 2; FIG. 5 is an enlarged cross sectional view taken on line 5-5 of FIG. 2; FIG. 6 is an enlarged cross sectional view taken on line 6-6 of FIG. 2; FIG. 7 is a bottom plan view thereof; FIG. 8 is a front elevational view of the grate section thereof; FIG. 9 is a rear elevational view of the left front section thereof; and FIG. 10 is a rear elevational view of the right front section thereof.



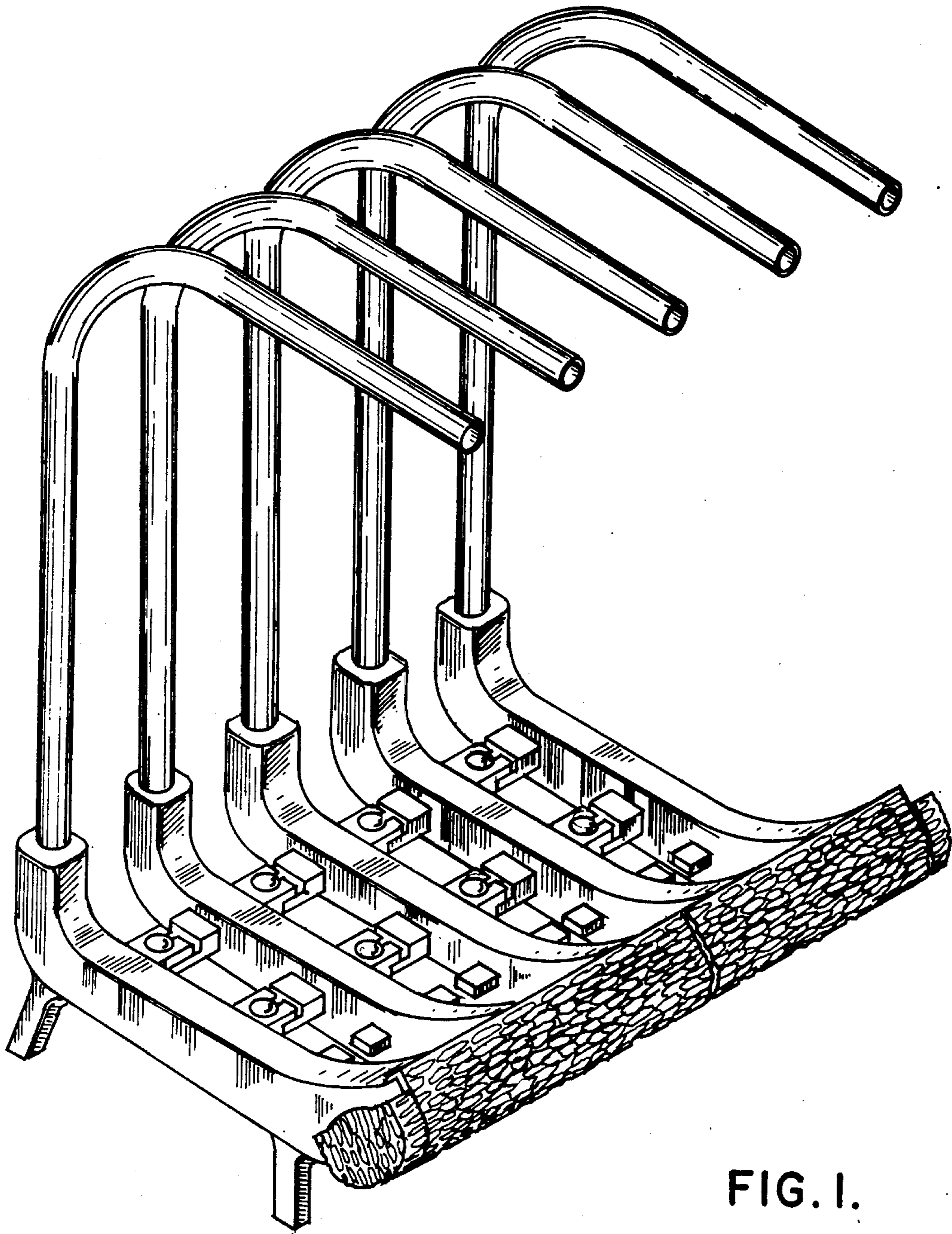
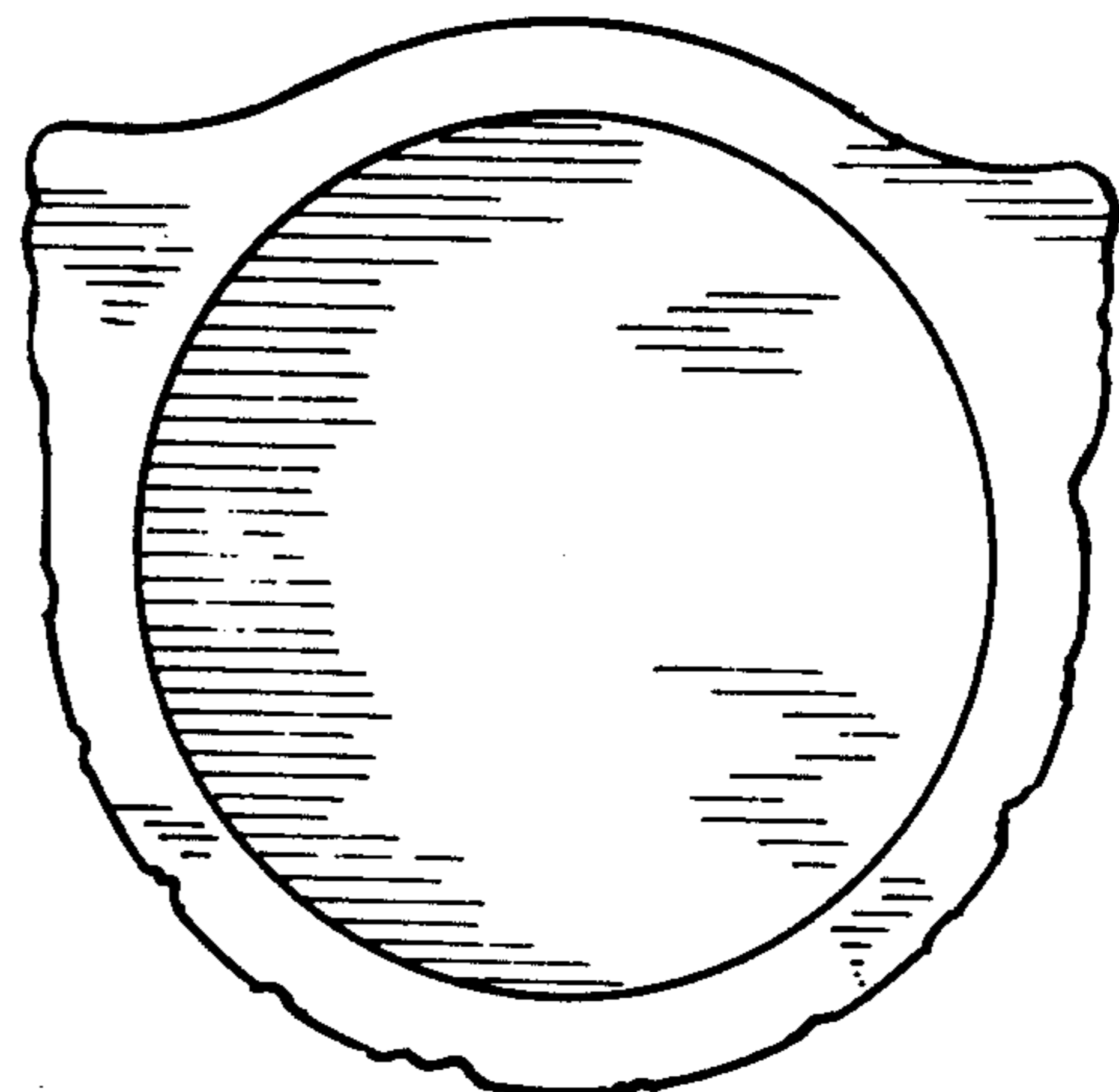
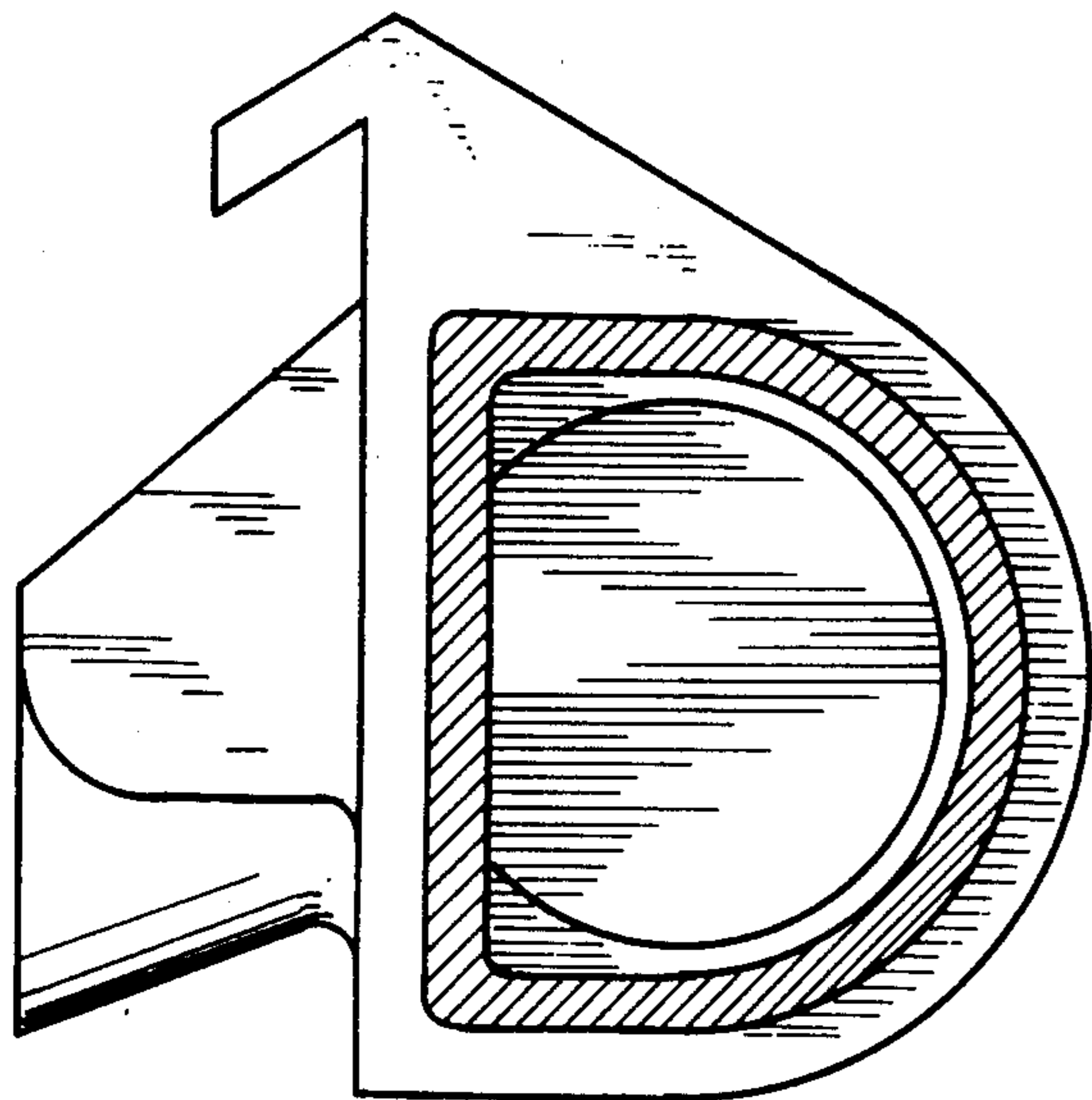
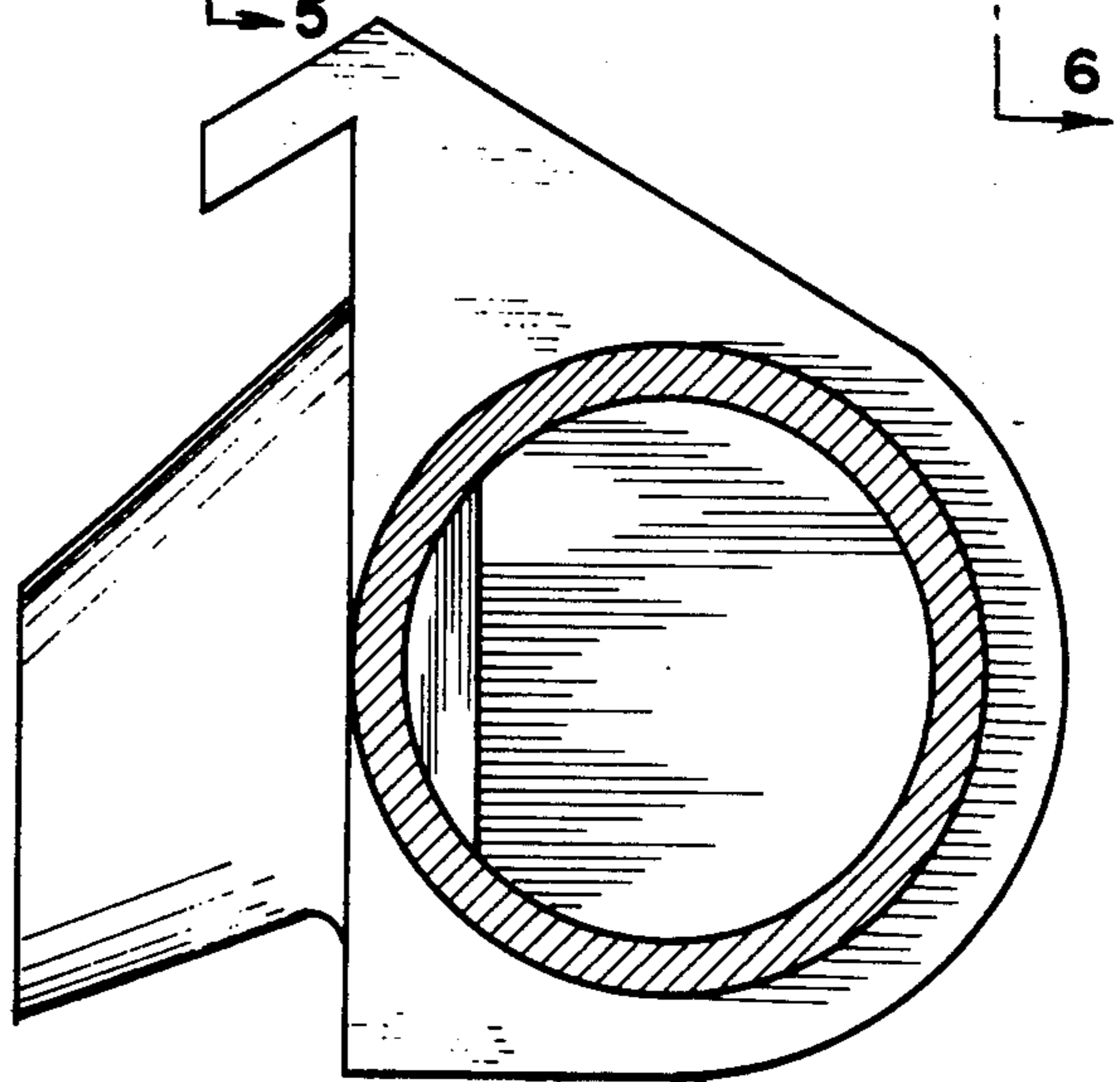
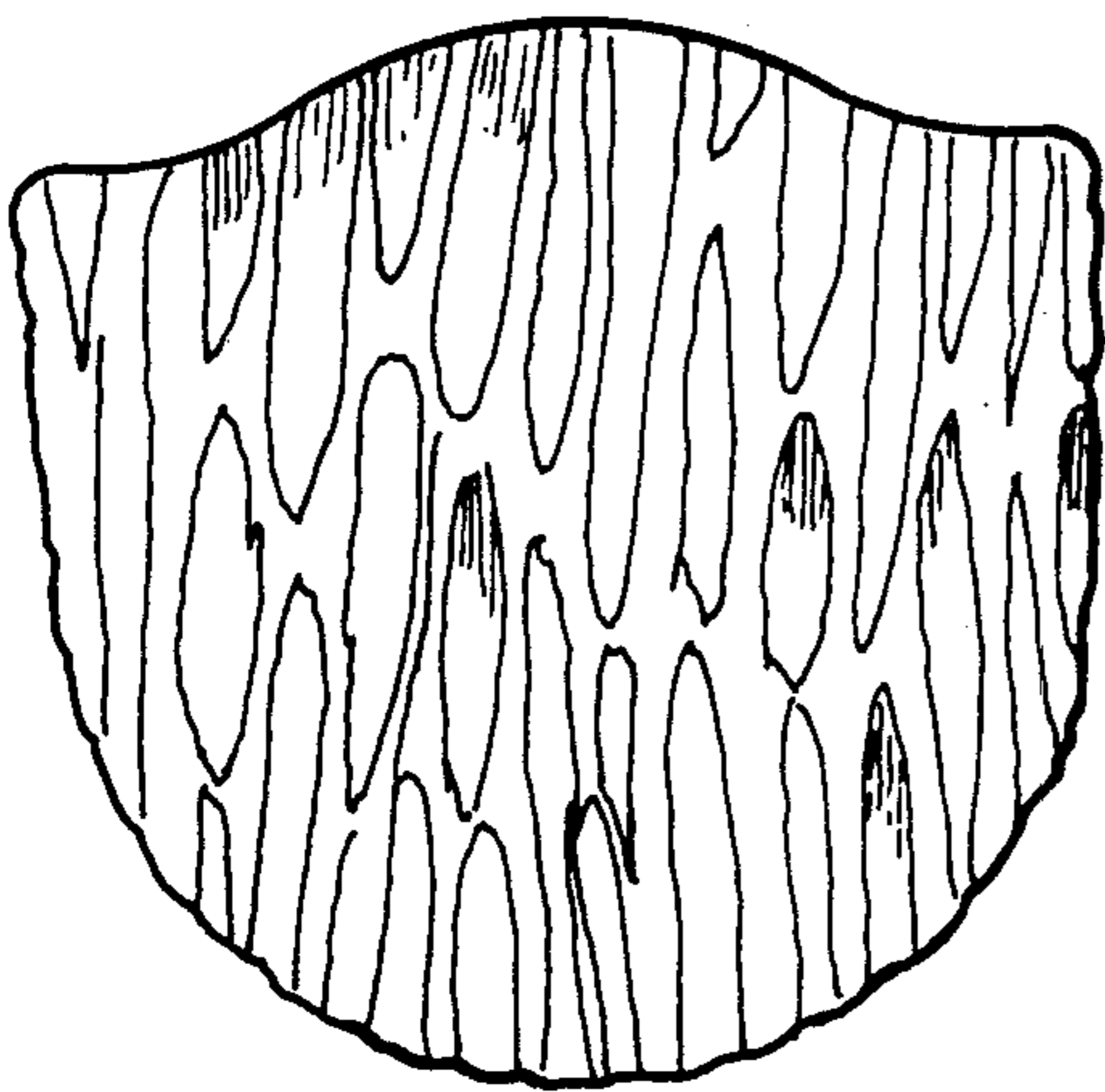
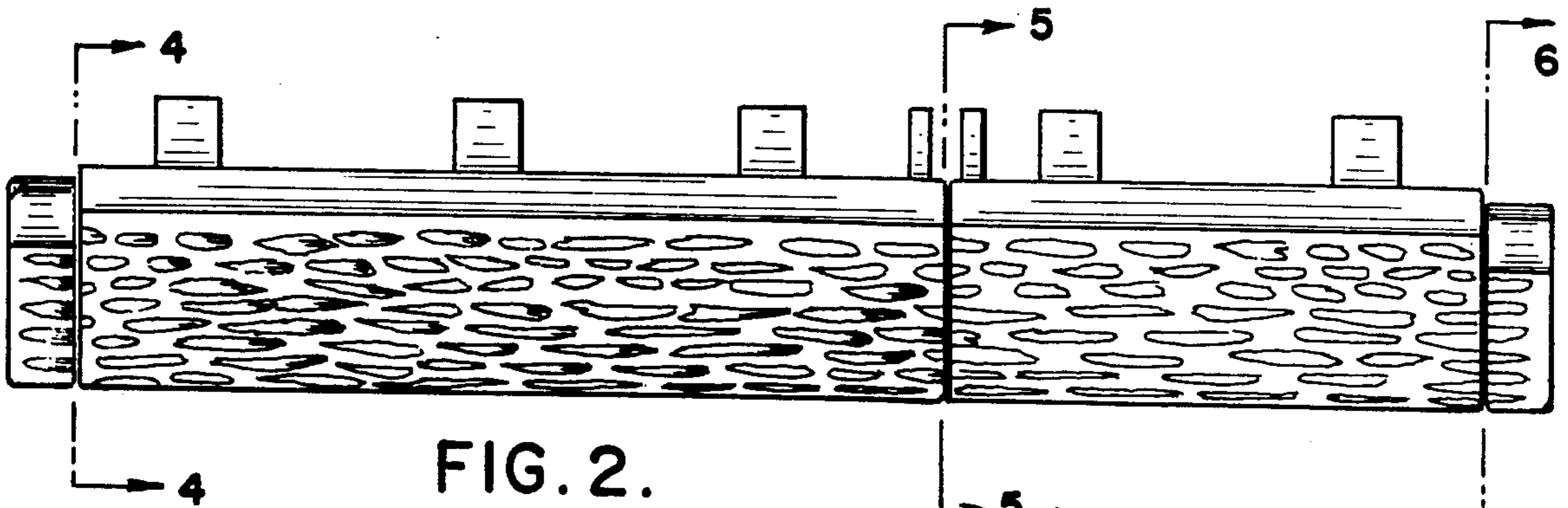


FIG. 1.



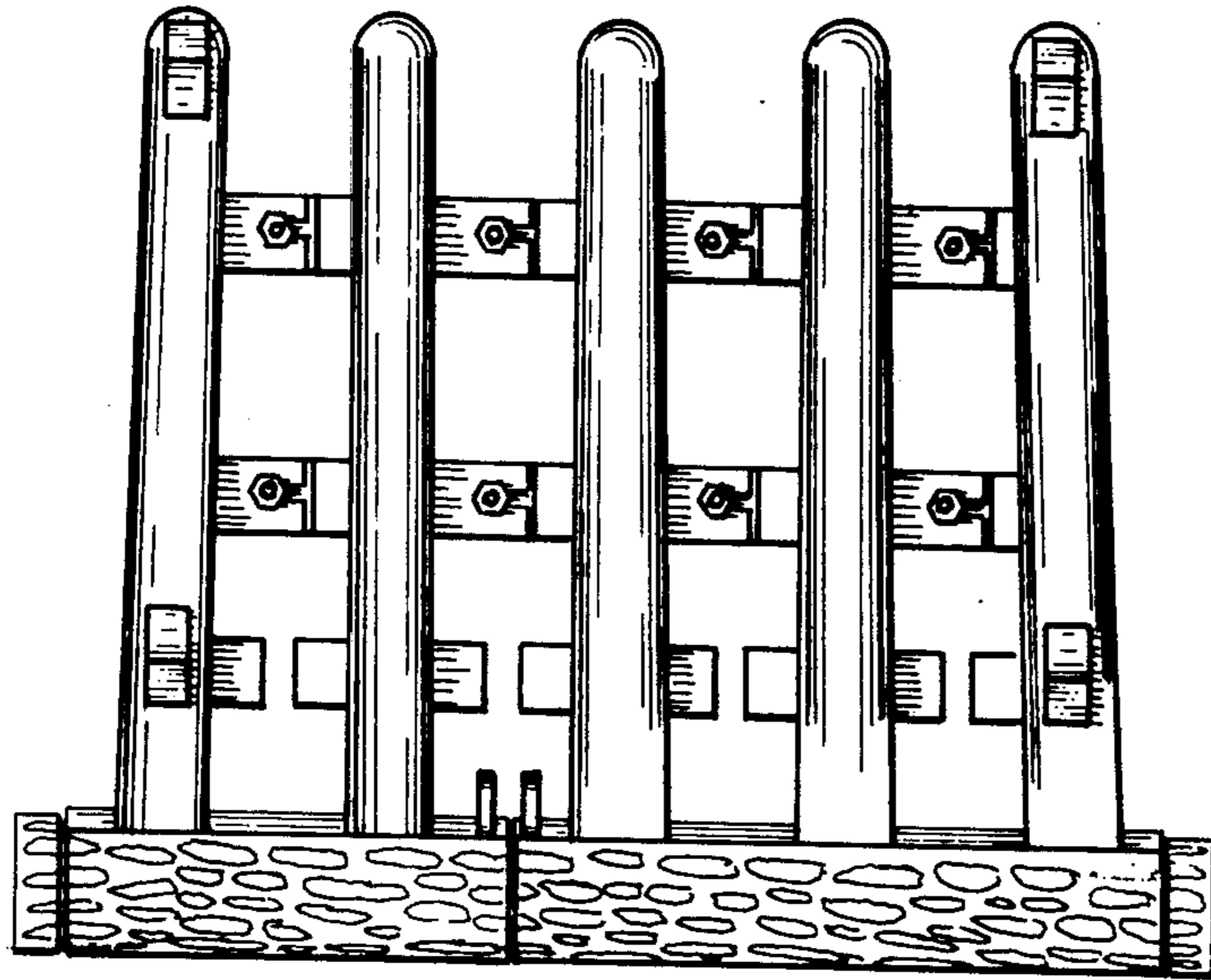


FIG. 7.

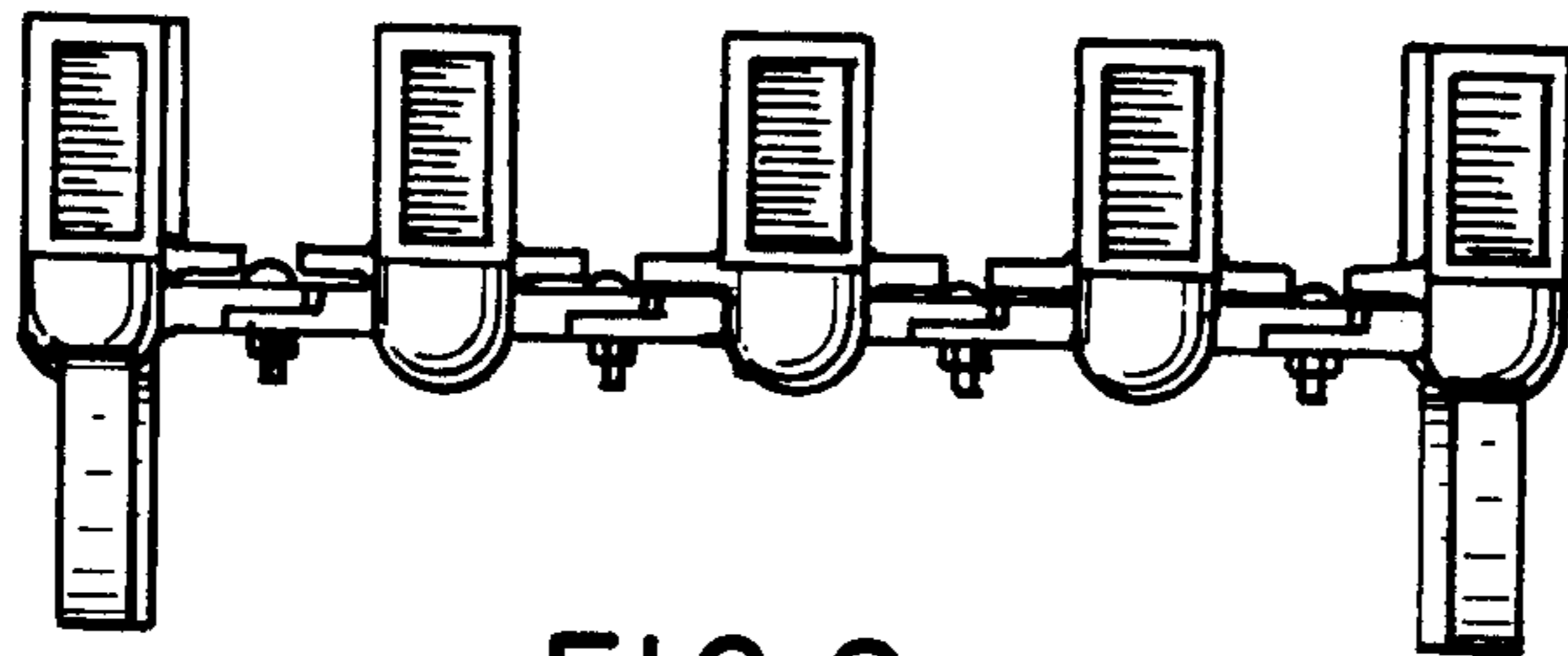


FIG. 8.

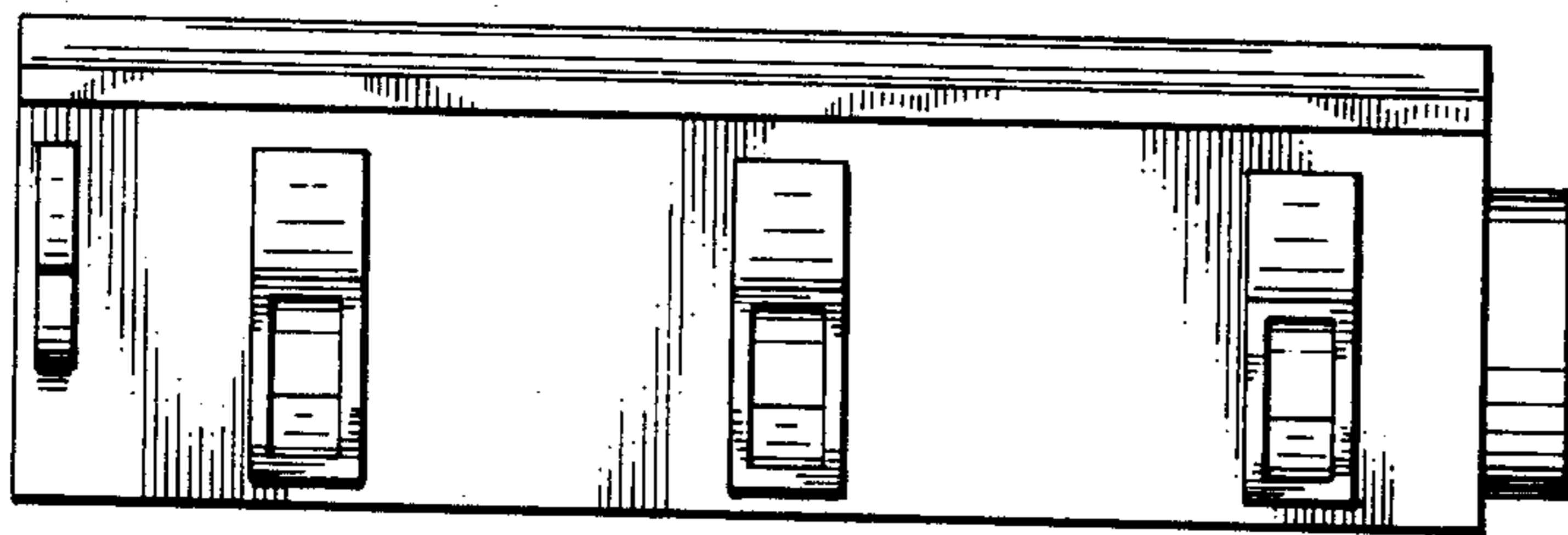


FIG. 9.



FIG. 10.