

[54] COMBINATION HEATING AND COOKING STOVE

[76] Inventor: William L. DeMarco, Cemetery Rd., Great Meadows, N.J. 07838

[**] Term: 14 Years

[21] Appl. No.: 866,145

[22] Filed: Dec. 30, 1977

[51] Int. Cl. D23-03

[52] U.S. Cl. D23/97

[58] Field of Search D23/72, 86, 89, 92, D23/93, 94, 97, 105, 107, 108, 127, 128; D7/112, 113, 114; 126/4, 6, 58, 59, 60, 62, 65, 120, 121, 123, 126, 138, 190, 200, 211, 217

[56] References Cited

U.S. PATENT DOCUMENTS

D. 237,798	11/1975	Fisher	D23/72
D. 242,353	11/1976	Schrader	D23/72
4,027,649	6/1977	Jackson	126/4

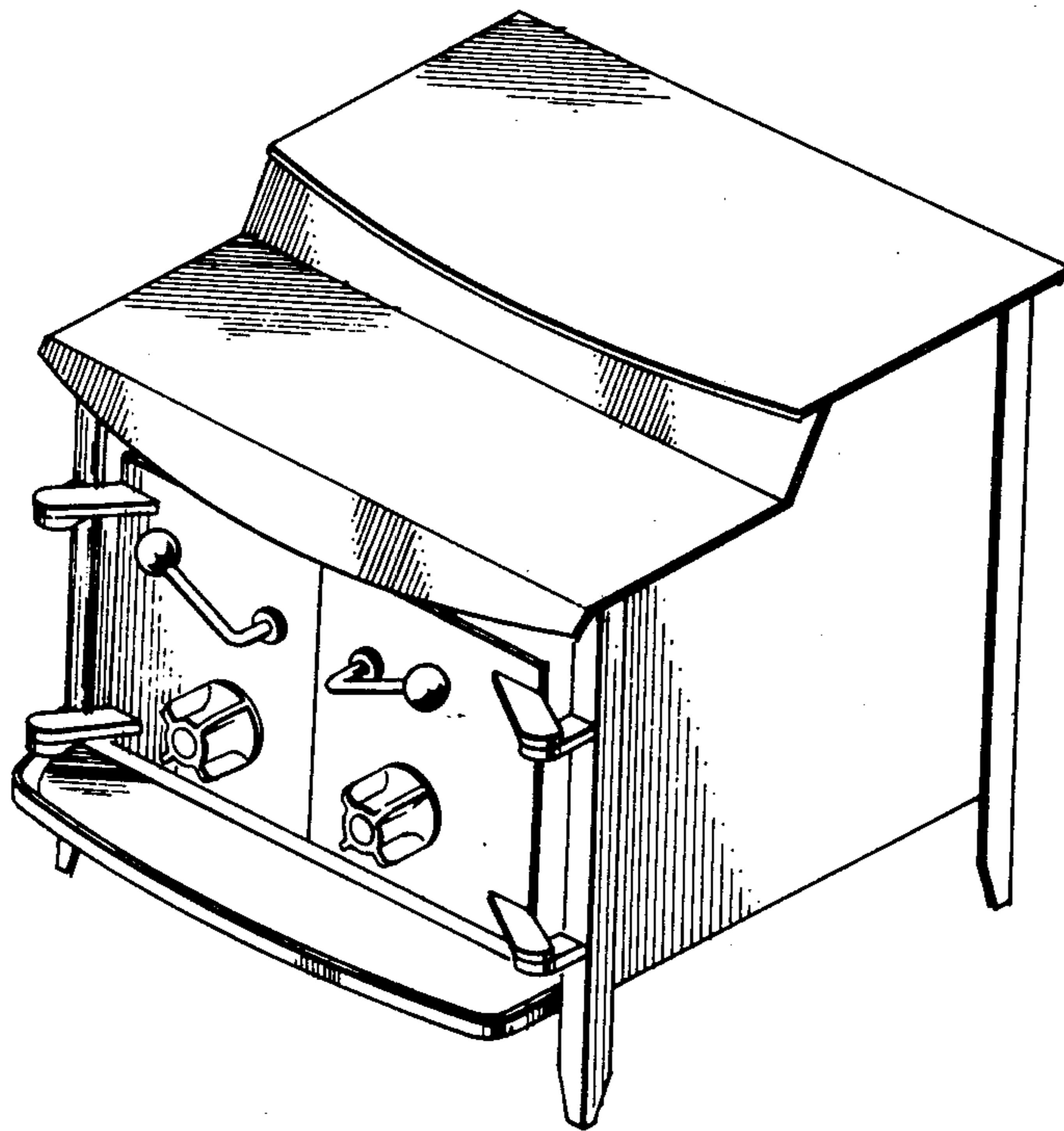
Primary Examiner—Wallace R. Burke
Assistant Examiner—Catherine Kemper
Attorney, Agent, or Firm—James J. Cannon, Jr.

[57] CLAIM

The ornamental design for a combination heating and cooking stove, as shown and described.

DESCRIPTION

FIG. 1 is a perspective view of a combination heating and cooking stove showing my new design; FIG. 2 is a front elevational view thereof; and FIG. 3 is a right side elevational view, the left side being a mirror image thereof. The rear surface is substantially flat.



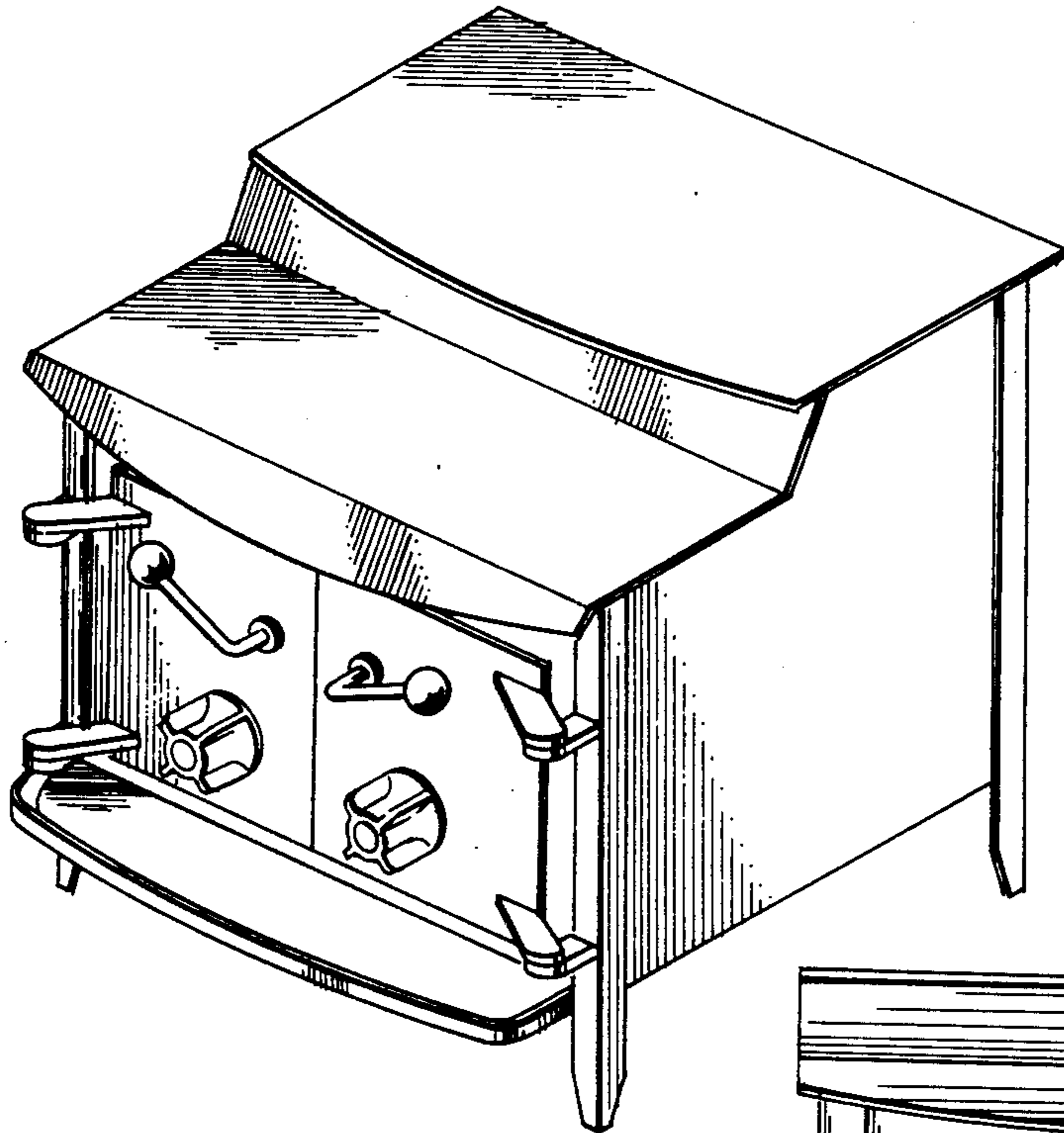


FIG. 1

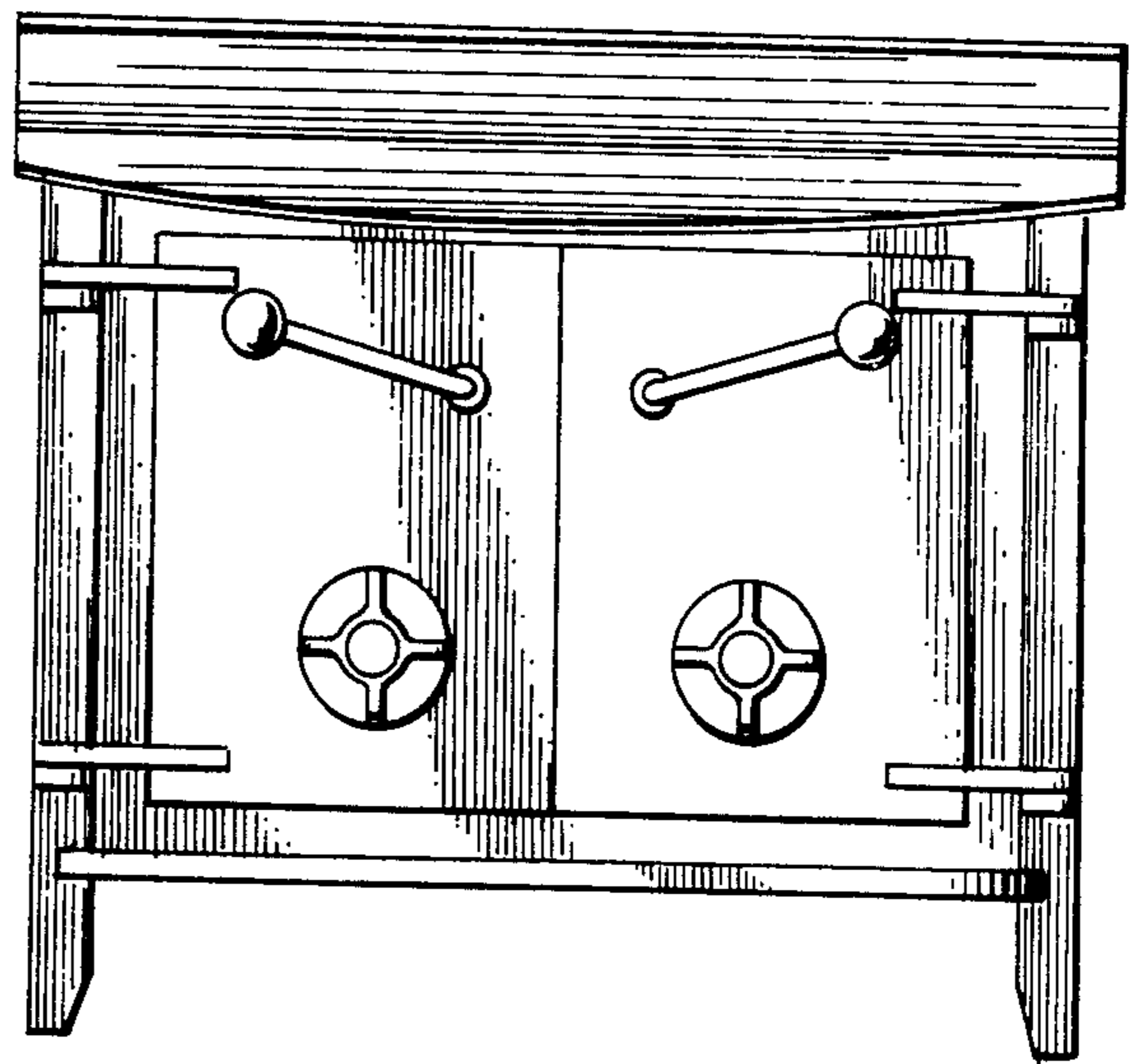


FIG. 2

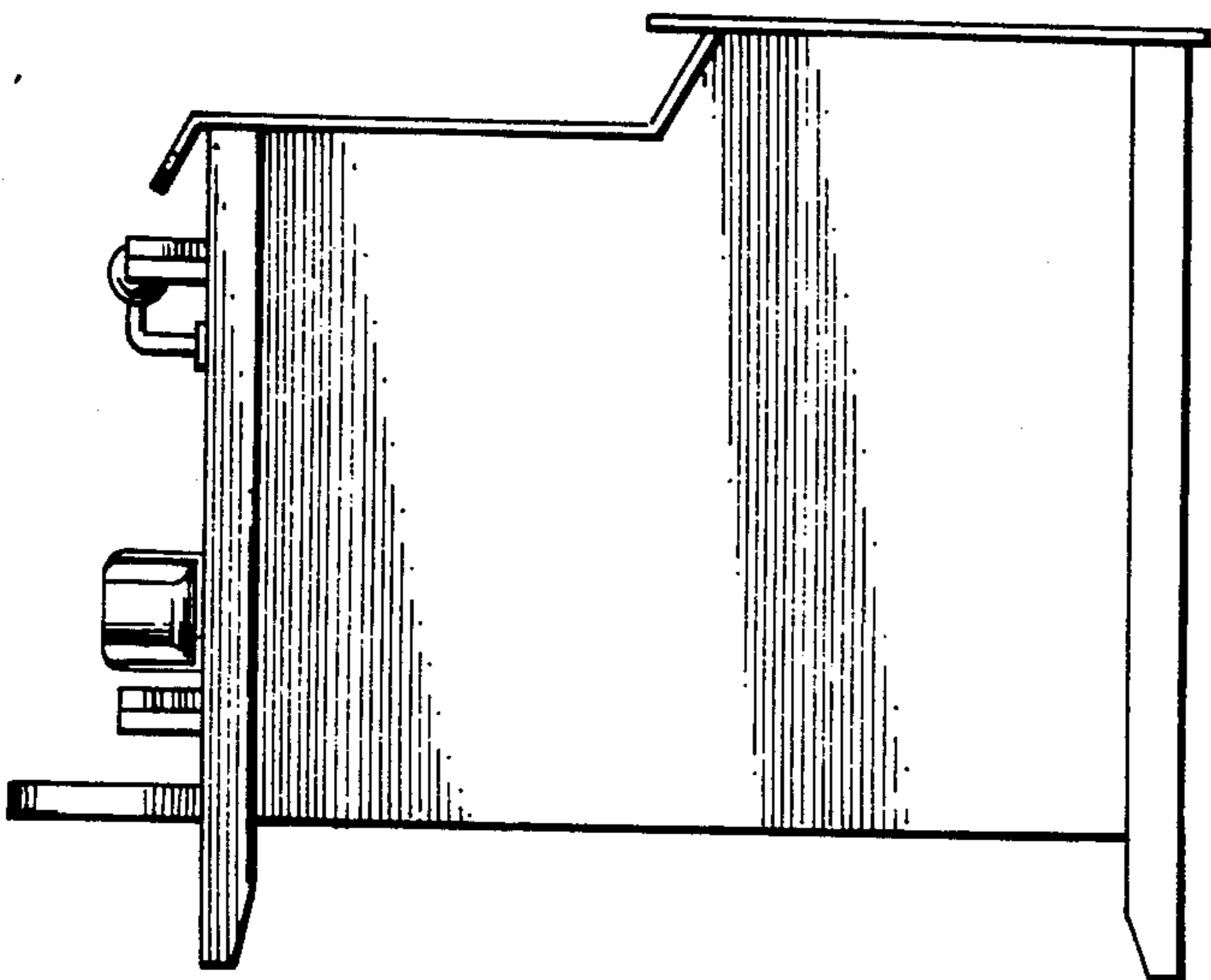


FIG. 3