

- [54] DESK TOP LETTER FILE
- [75] Inventors: David A. Juergens; Greg P. Terek,  
both of Winchester, Va.
- [73] Assignee: Rubbermaid Commercial Products  
Inc., Winchester, Va.
- [\*\*] Term: 14 Years
- [21] Appl. No.: 724,476
- [22] Filed: Sep. 17, 1976
- [51] Int. Cl. .... D19-02
- [52] U.S. Cl. .... D19/90
- [58] Field of Search ..... D19/20, 65, 75, 90;  
D87/1 R; D6/184; D7/72; 211/11

D. 231,137 4/1974 Juhlin ..... D19/90  
2,909,166 9/1959 Bahr ..... 211/11

OTHER PUBLICATIONS

Eldon Desk Access. Folder #7-73-986, 3/69, p. 3, center.

Primary Examiner—Joel Stearman  
Assistant Examiner—George P. Word  
Attorney, Agent, or Firm—E. R. Hamilton

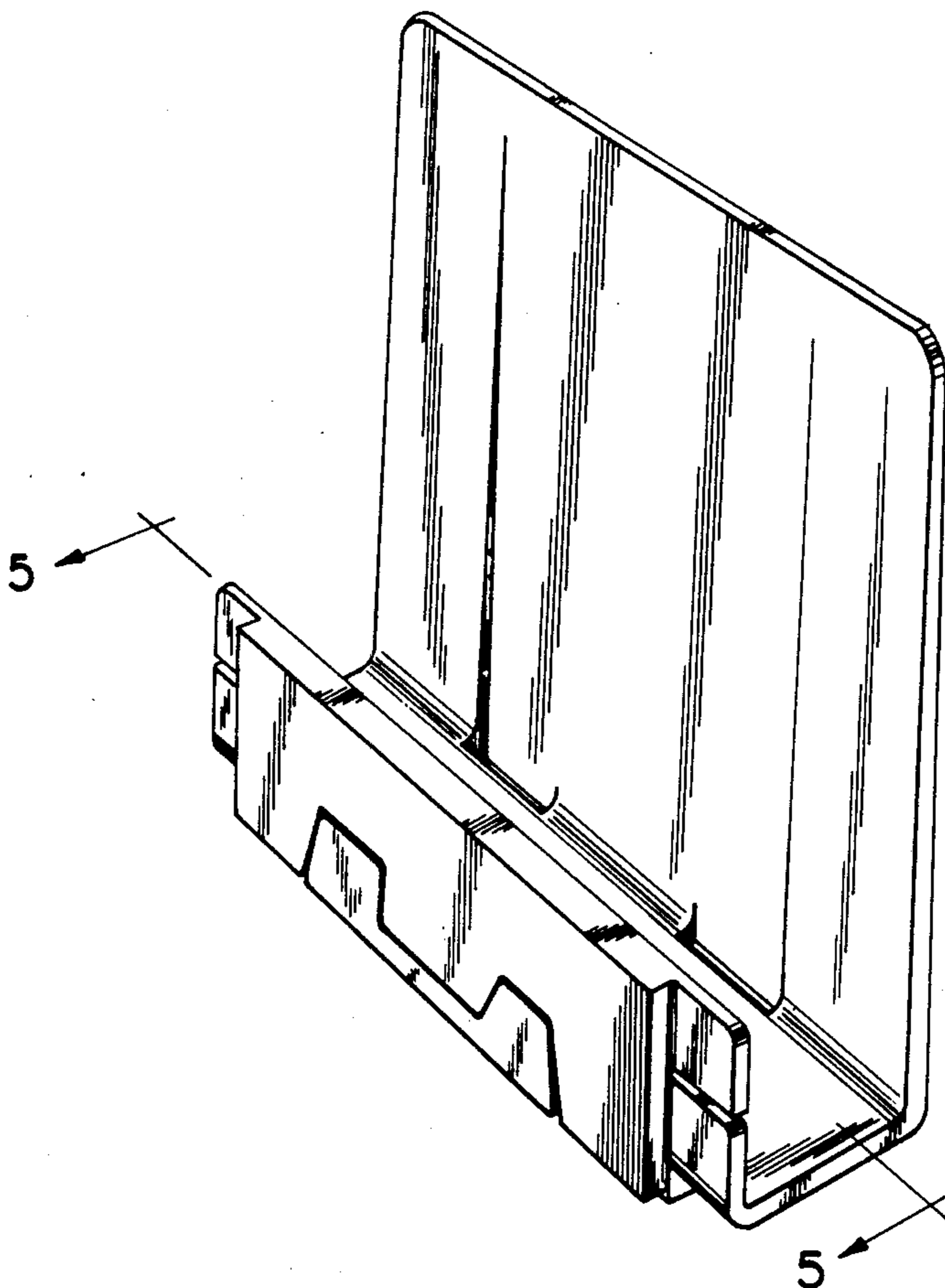
[57] CLAIM

The ornamental design for a desk top letter file, as shown and described.

DESCRIPTION

FIG. 1 is a perspective view of a desk top letter file showing our new design.  
FIG. 2 is a front elevational view thereof.  
FIG. 3 is a rear elevational view thereof.  
FIG. 4 is a bottom plan view thereof.  
FIG. 5 is a cross sectional view taken along line 5—5 of FIG. 1.

- [56] References Cited
- U.S. PATENT DOCUMENTS
- D. 129,374 9/1941 Guild ..... D19/90
- D. 176,292 12/1955 Vernon ..... D19/90
- D. 182,443 4/1958 Sherman ..... D19/90



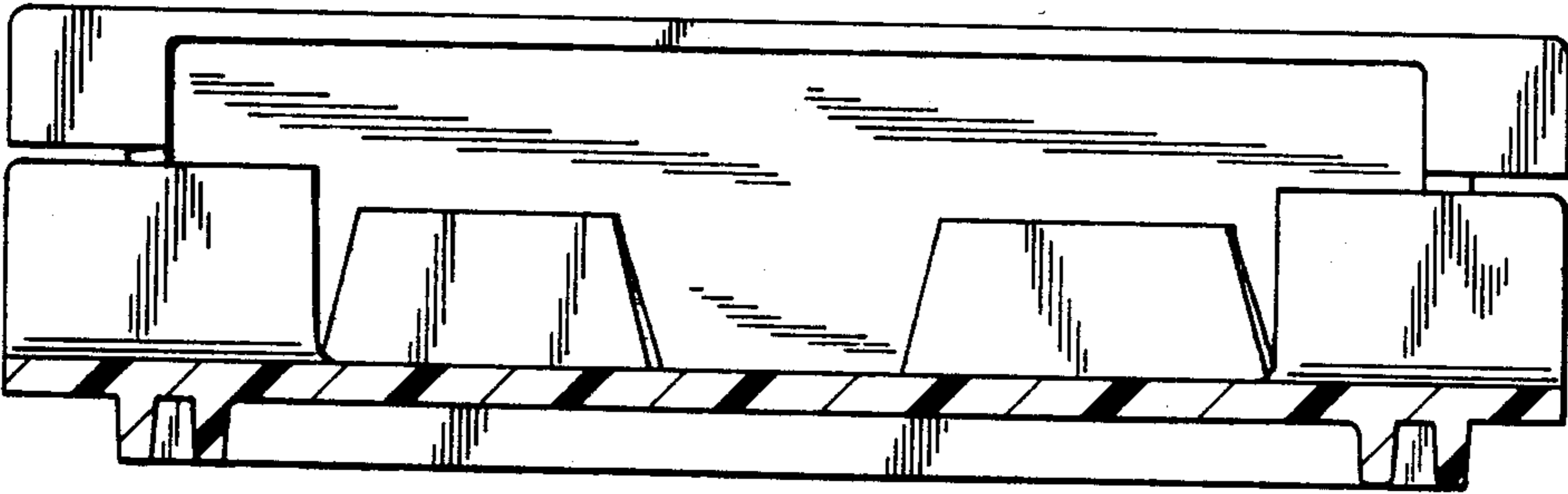
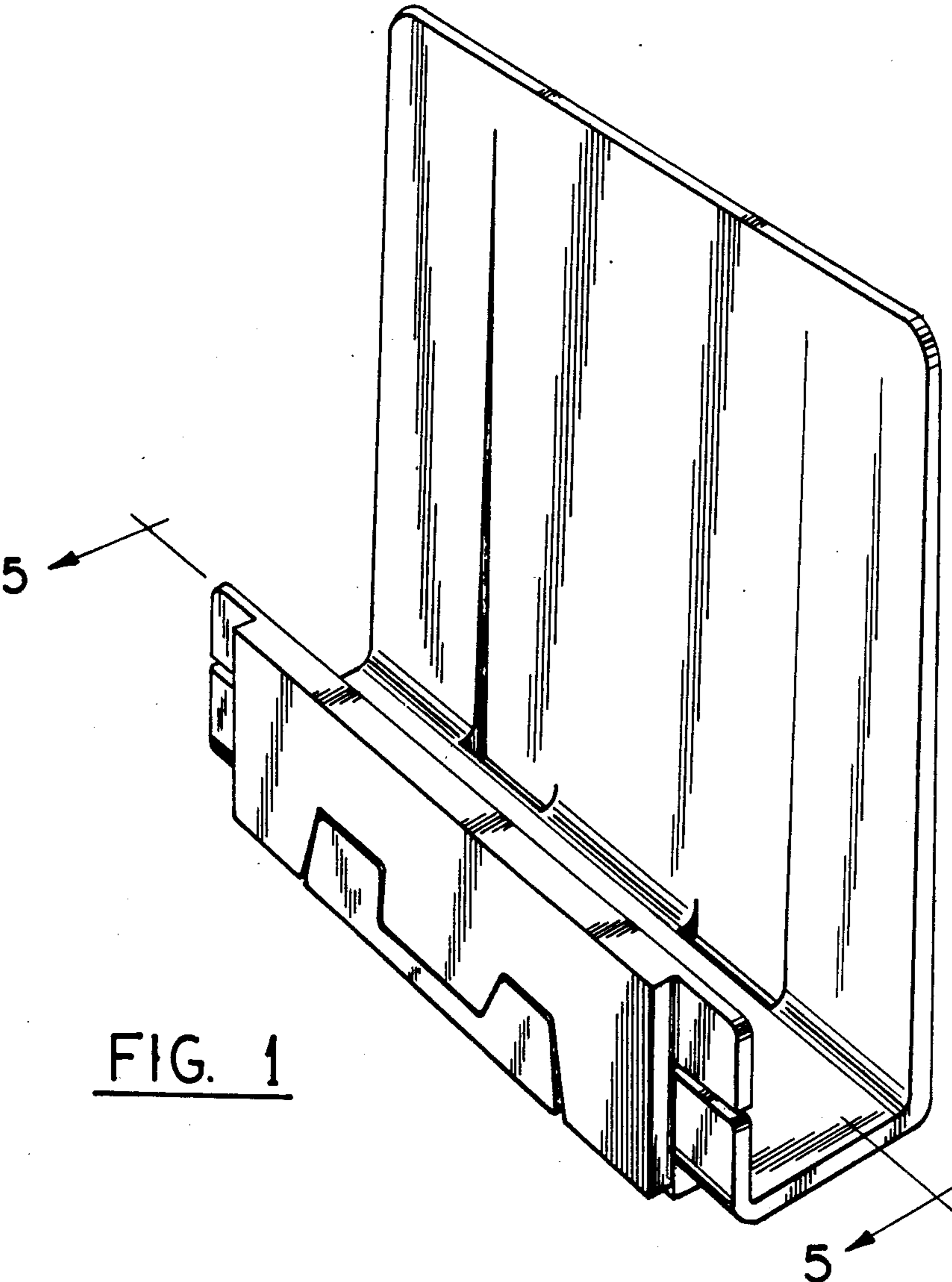


FIG. 5

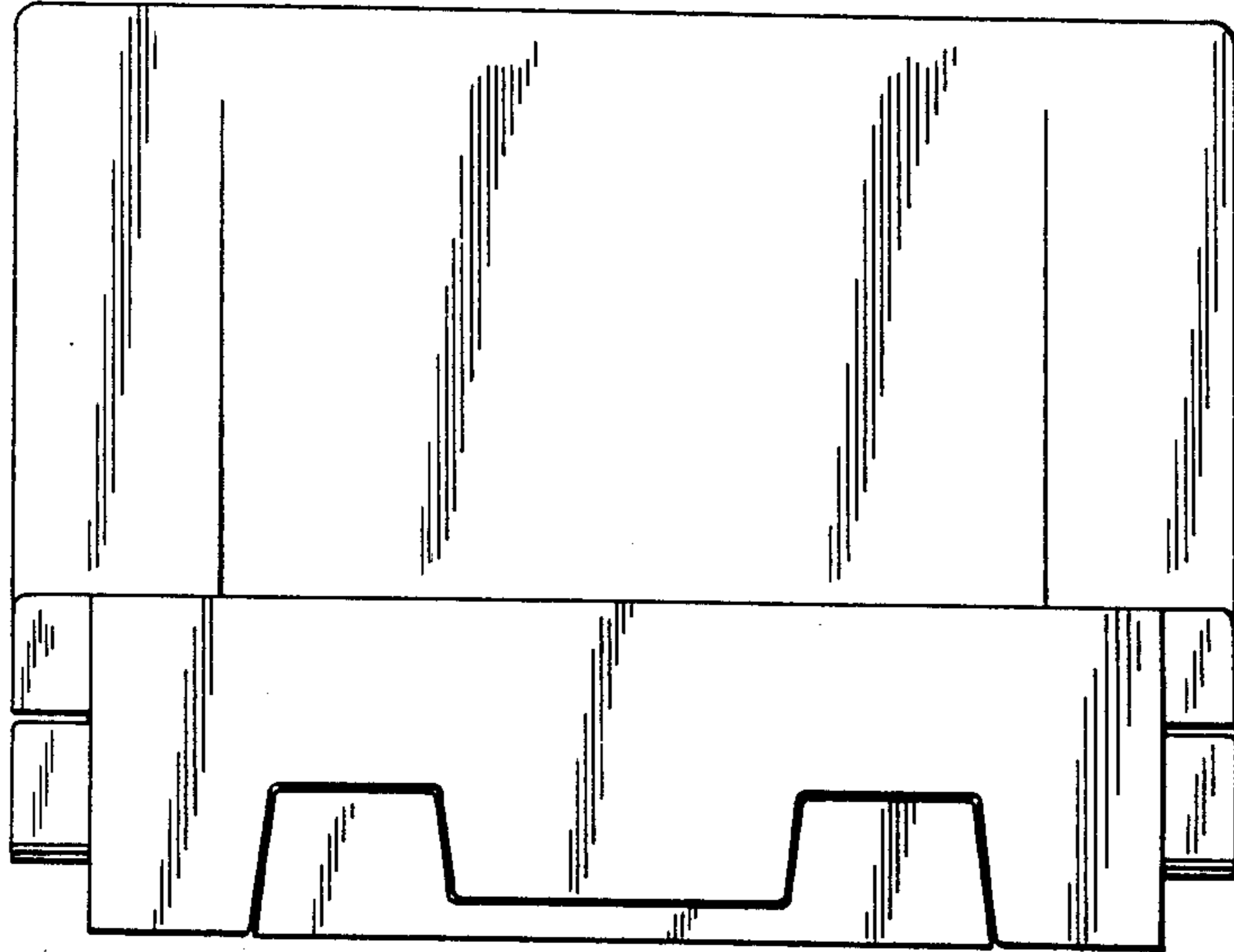


FIG. 2

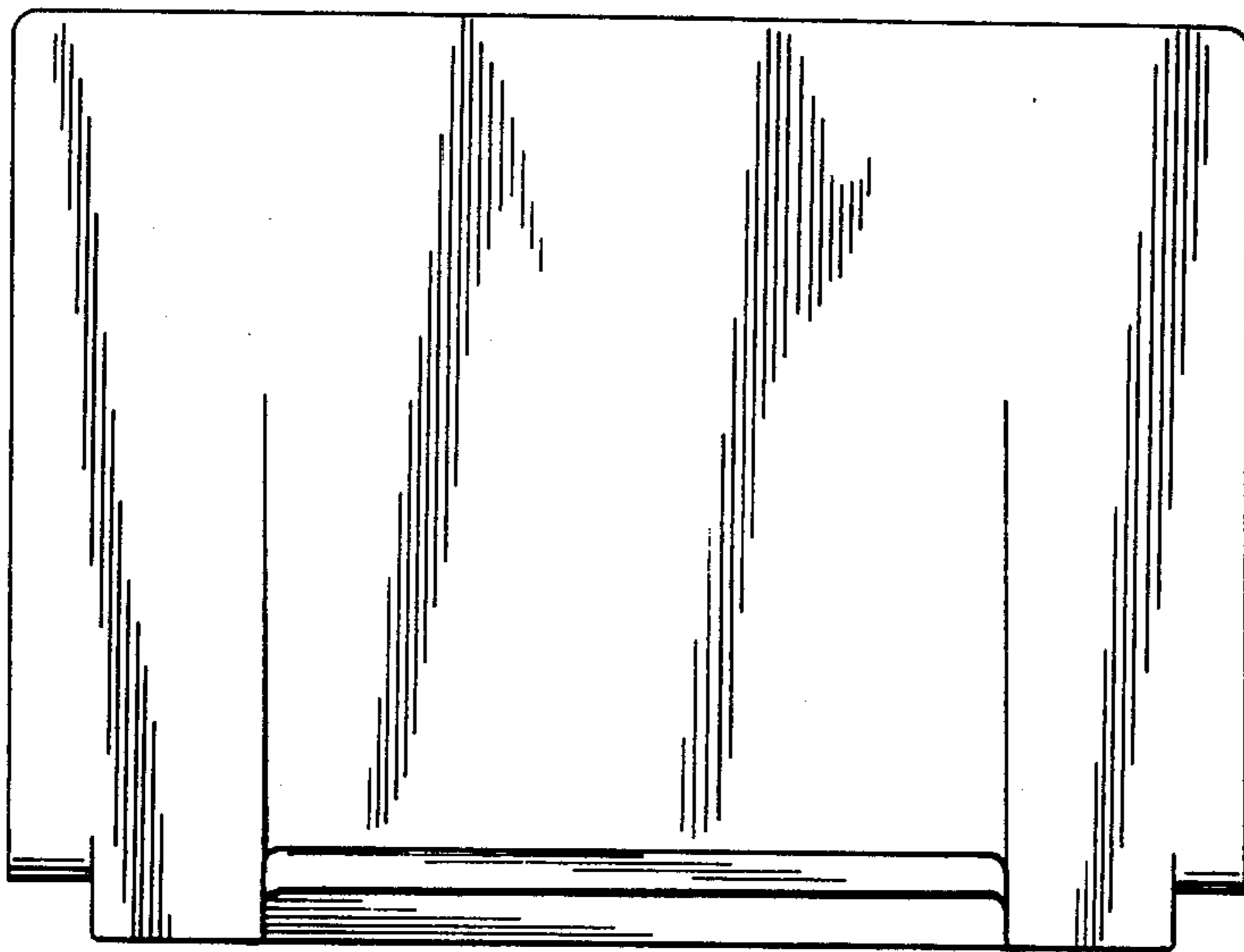


FIG. 3

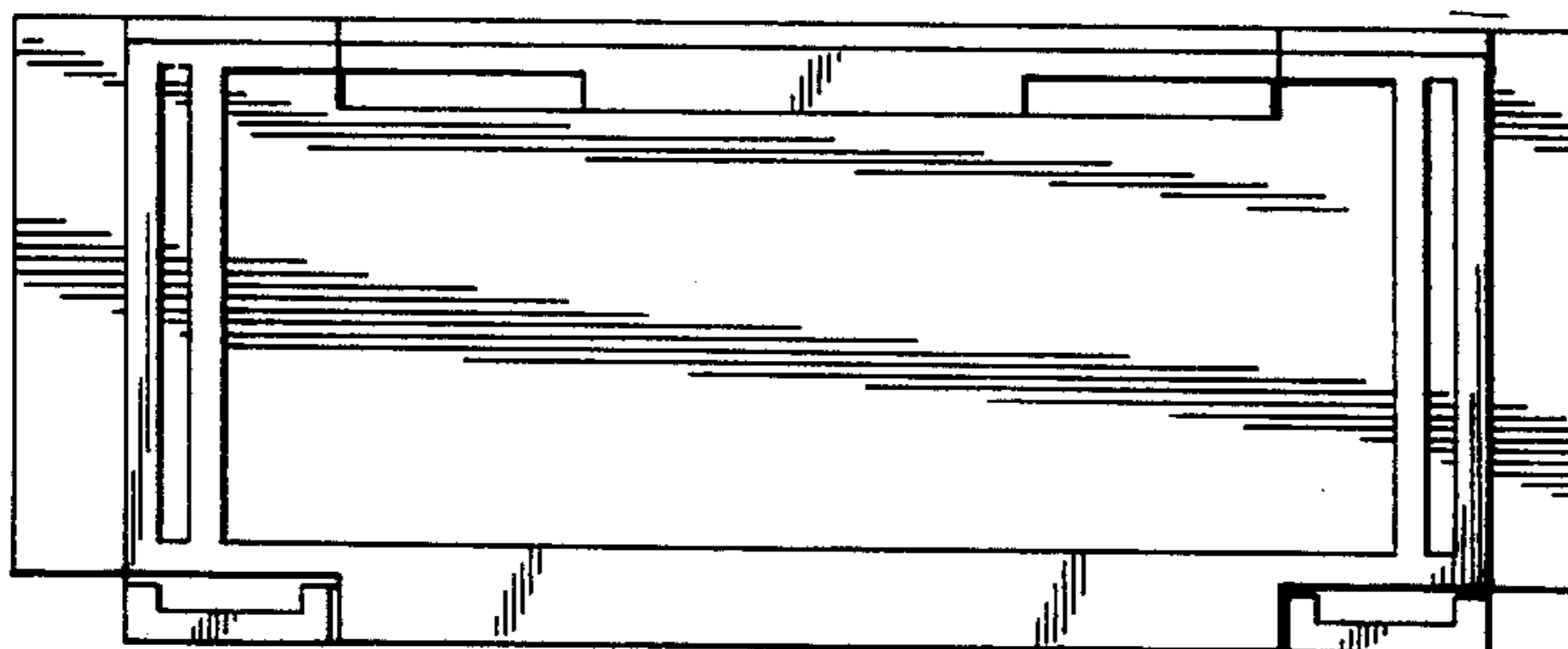


FIG. 4