

[54] AGRICULTURAL SPRAYING IMPLEMENT

3,809,316 5/1974 Dreyer ..... 239/167

[76] Inventor: William Felix Hughes, 73 Abernathy Rd., Belmont, Western Australia, Australia, 48013

Primary Examiner—Wallace R. Burke  
Assistant Examiner—James M. Gandy  
Attorney, Agent, or Firm—J. King Harness

[\*\*] Term: 14 Years

[57] CLAIM

[21] Appl. No.: 796,207

The ornamental design for an agricultural spraying implement, substantially as shown.

[22] Filed: May 12, 1977

DESCRIPTION

[51] Int. Cl. .... D15-03

[52] U.S. Cl. .... D15/13

[58] Field of Search ..... D15/13; 239/146, 167, 239/168; 280/5 R, 5 E, 5 C, 5 H; 220/1 V

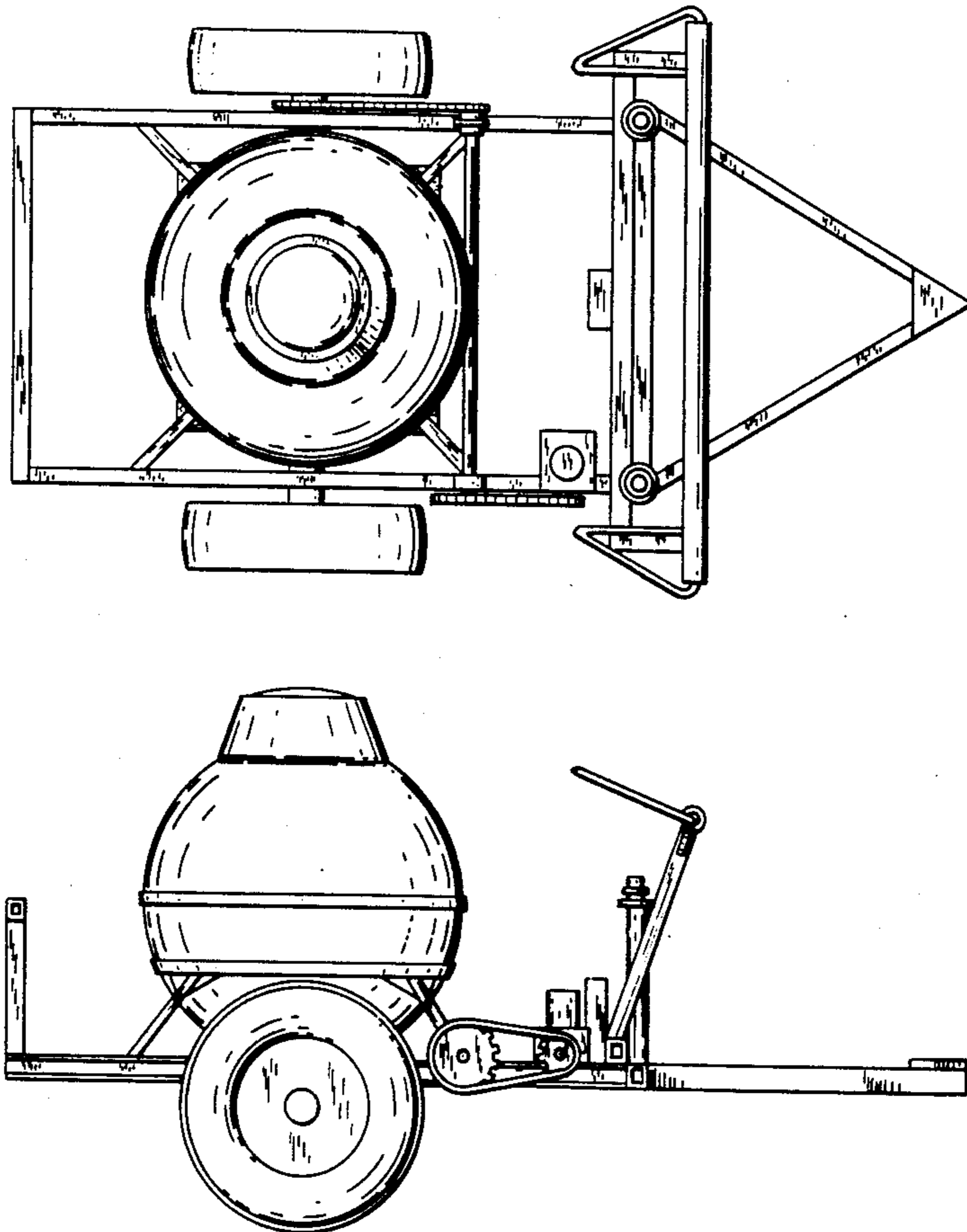
FIG. 1 is a top plan view of an agricultural spraying implement embodying my design;  
FIG. 2 is a side elevational view thereof the opposite side being substantially a mirror image of the side shown herein except for the location of the chain and sprockets.

[56] References Cited

U.S. PATENT DOCUMENTS

2,596,390 5/1952 Essick ..... 280/5 E

FIG. 3 is a rear elevational view thereof.  
FIG. 4 is a front elevational view thereof.



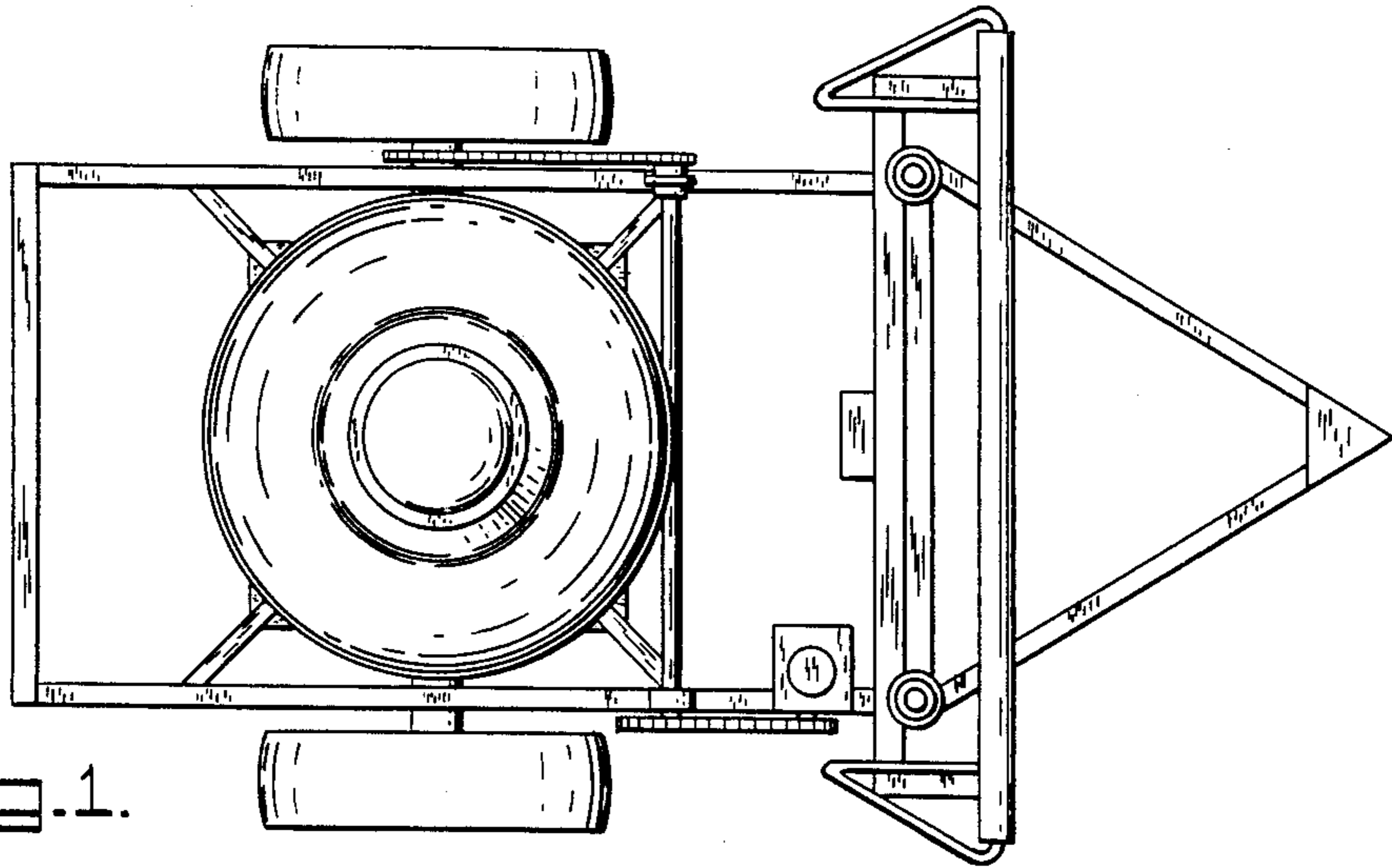


FIG. 1.

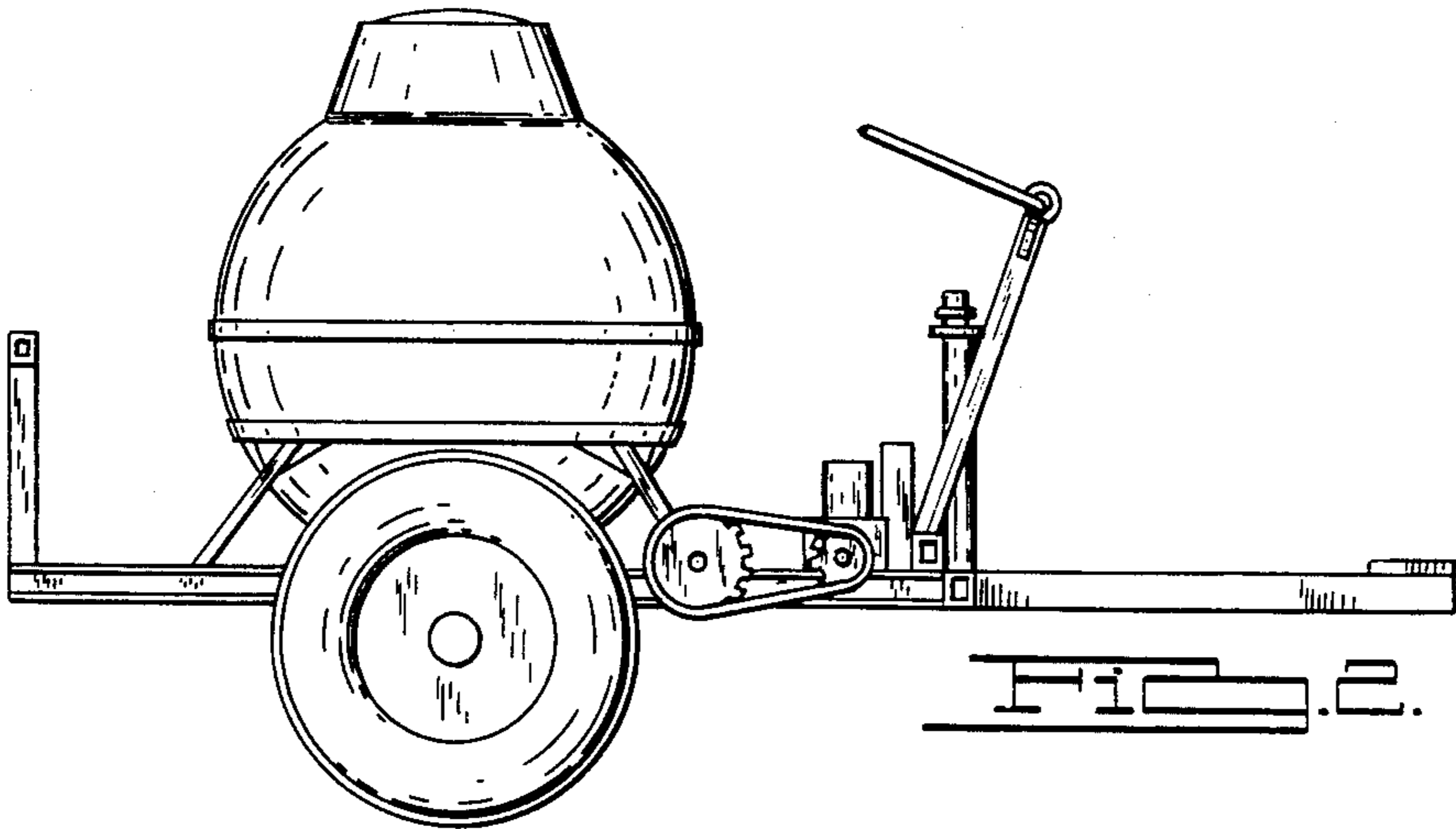


FIG. 2.

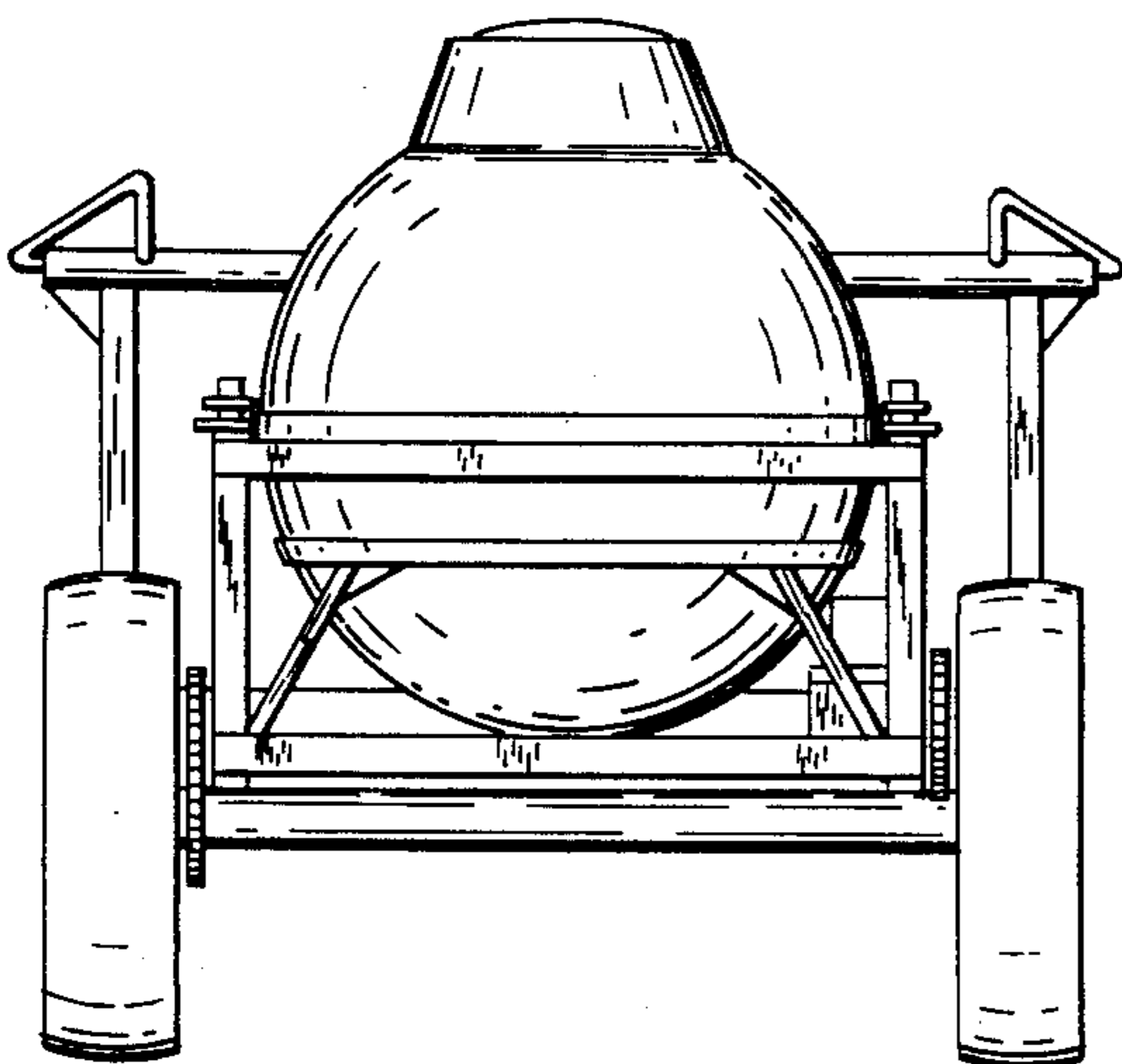


FIG. 3.

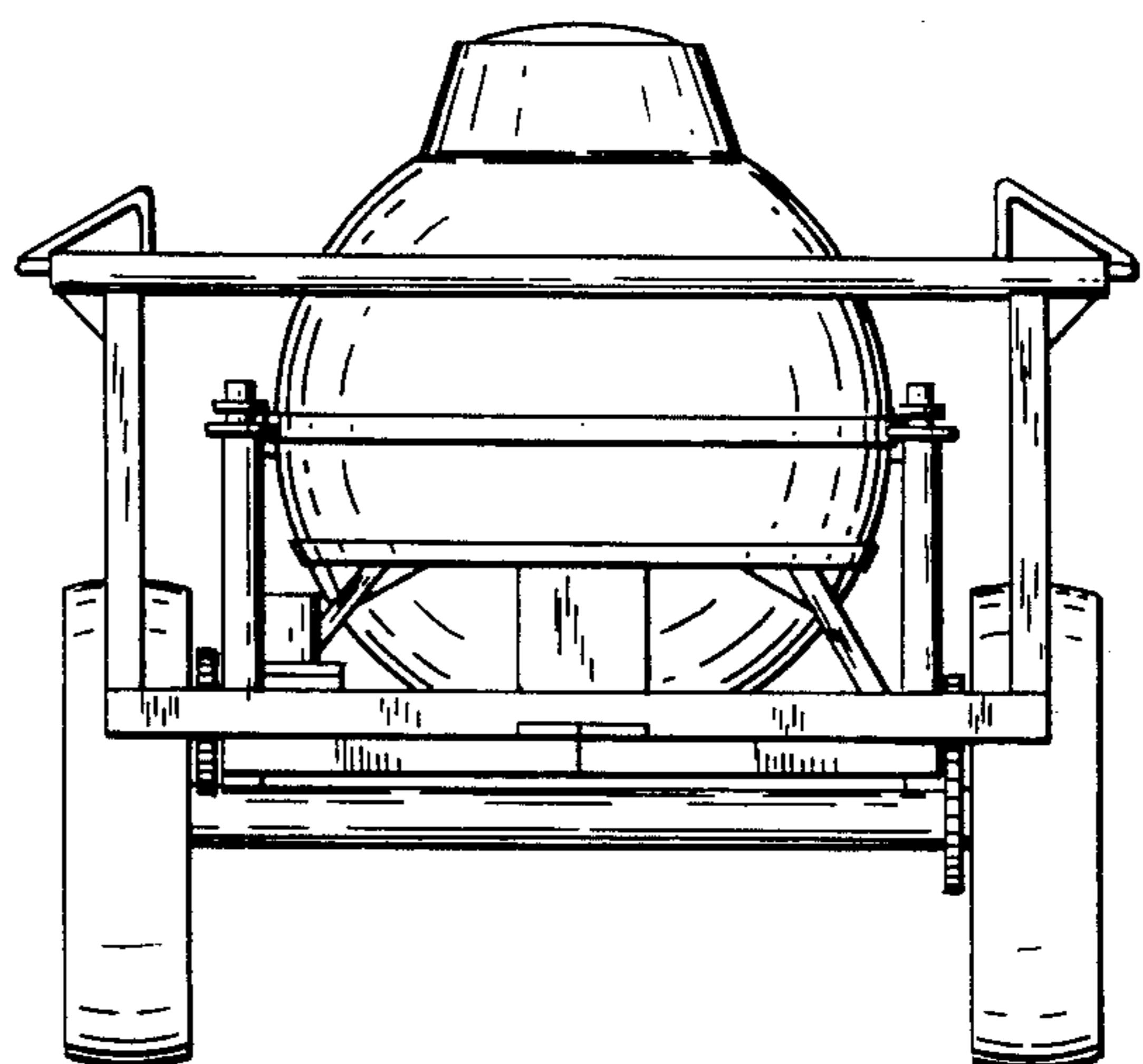


FIG. 4.