

[54] FLEXIBLE DISK DRIVE

[75] Inventors: Albert S. Chou, Monte Sereno; David A. Brown, Saratoga; Donald V. Daniels, Santa Cruz; Harold C. Medley, Los Gatos; Peter A. Ronzani, Saratoga; Ray Y. Yokoyama, Sunnyvale, all of Calif.

[73] Assignee: Shugart Associates, Sunnyvale, Calif.

[\*\*] Term: 14 Years

[21] Appl. No.: 733,785

[22] Filed: Oct. 19, 1976

[51] Int. Cl. .... D14-02

[52] U.S. Cl. .... D14/46

[58] Field of Search ..... D14/40, 41, 42, 43, D14/44, 45, 46, 47, 49, 50, 51; D13/40, 41

[56] References Cited

U.S. PATENT DOCUMENTS

D. 212,950 12/1968 Gruyé et al. .... D13/41

D. 234,955 4/1975 Koster ..... D14/46

OTHER PUBLICATIONS

Datamation, Jul. 1974, p. 106, Floppy Disk Housing.  
Datamation, Oct. 1974, p. 39, Floppy Disk Housing.

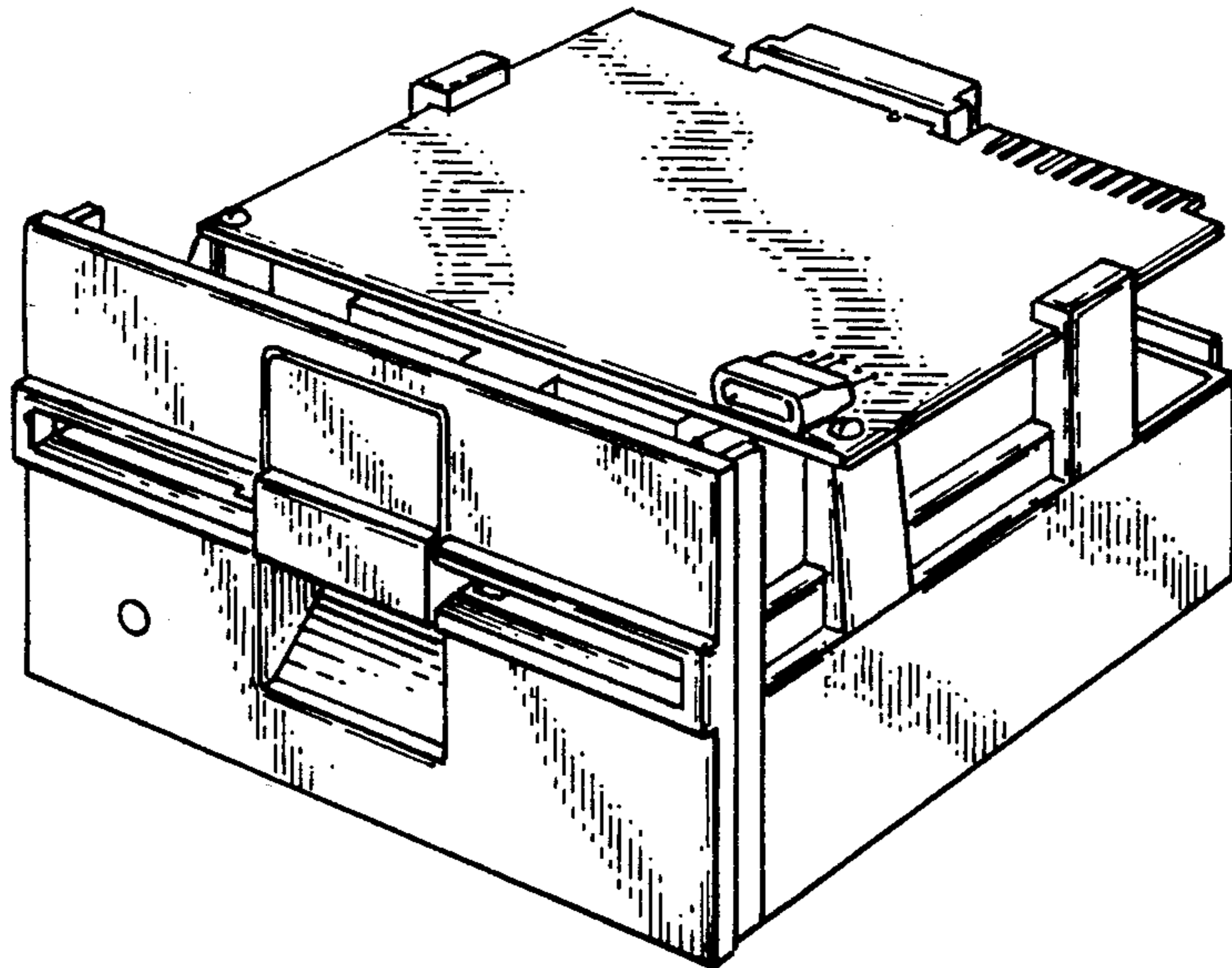
Primary Examiner—Susan J. Lucas  
Attorney, Agent, or Firm—Thomas E. Schatzel

[57] CLAIM

The ornamental design for a flexible disk drive, substantially as shown and described.

DESCRIPTION

FIG. 1 is a perspective view of a flexible disk drive showing the front, top and right side of our new design; FIG. 2 is a top plan view of the flexible disk drive shown in FIG. 1; FIG. 3 is a left side elevation view of the flexible disk drive shown in FIG. 1; FIG. 4 is a bottom plan view of the flexible disk drive shown in FIG. 1; and FIG. 5 is a rear elevation view of the flexible disk drive shown in FIG. 1.



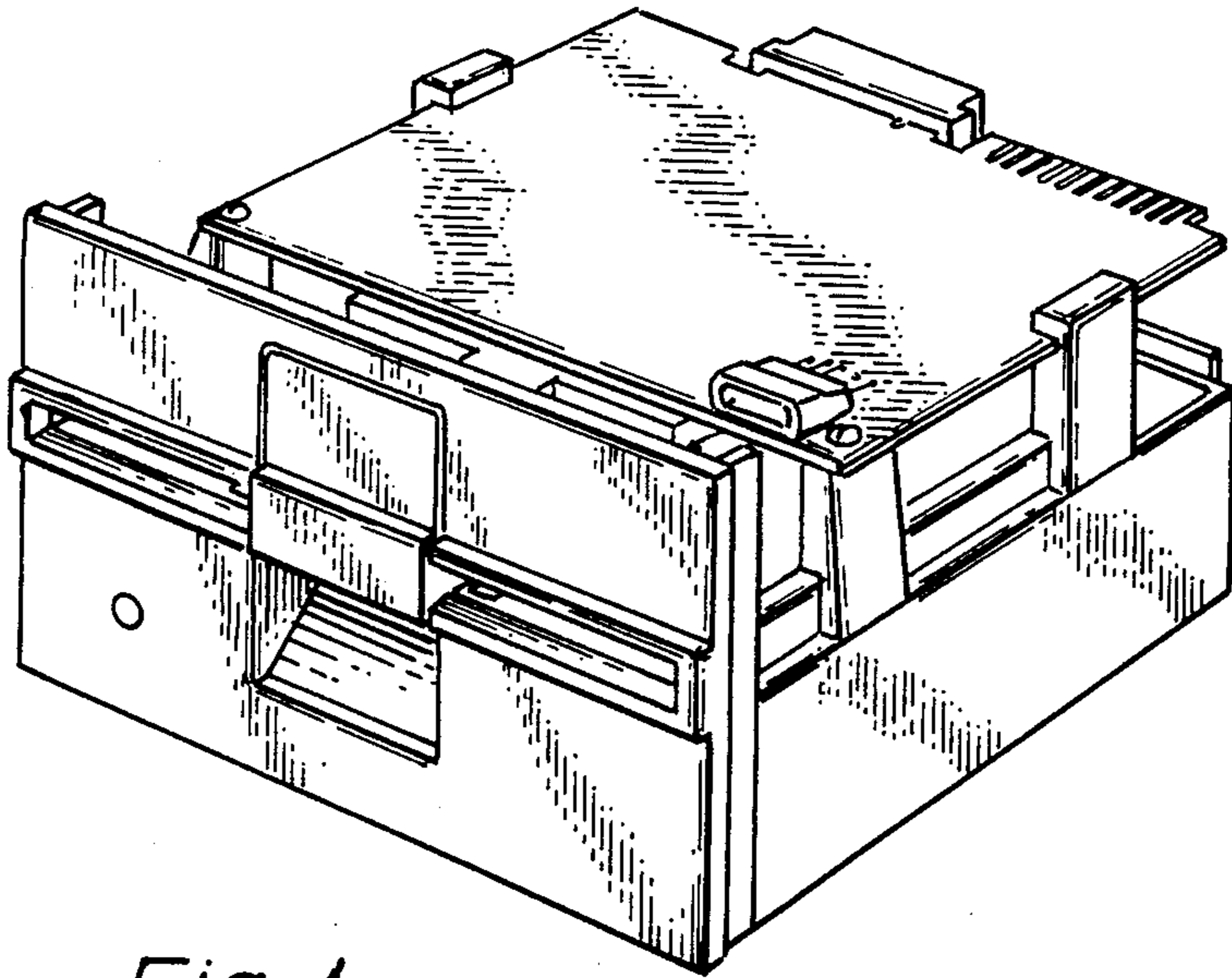


Fig. 1

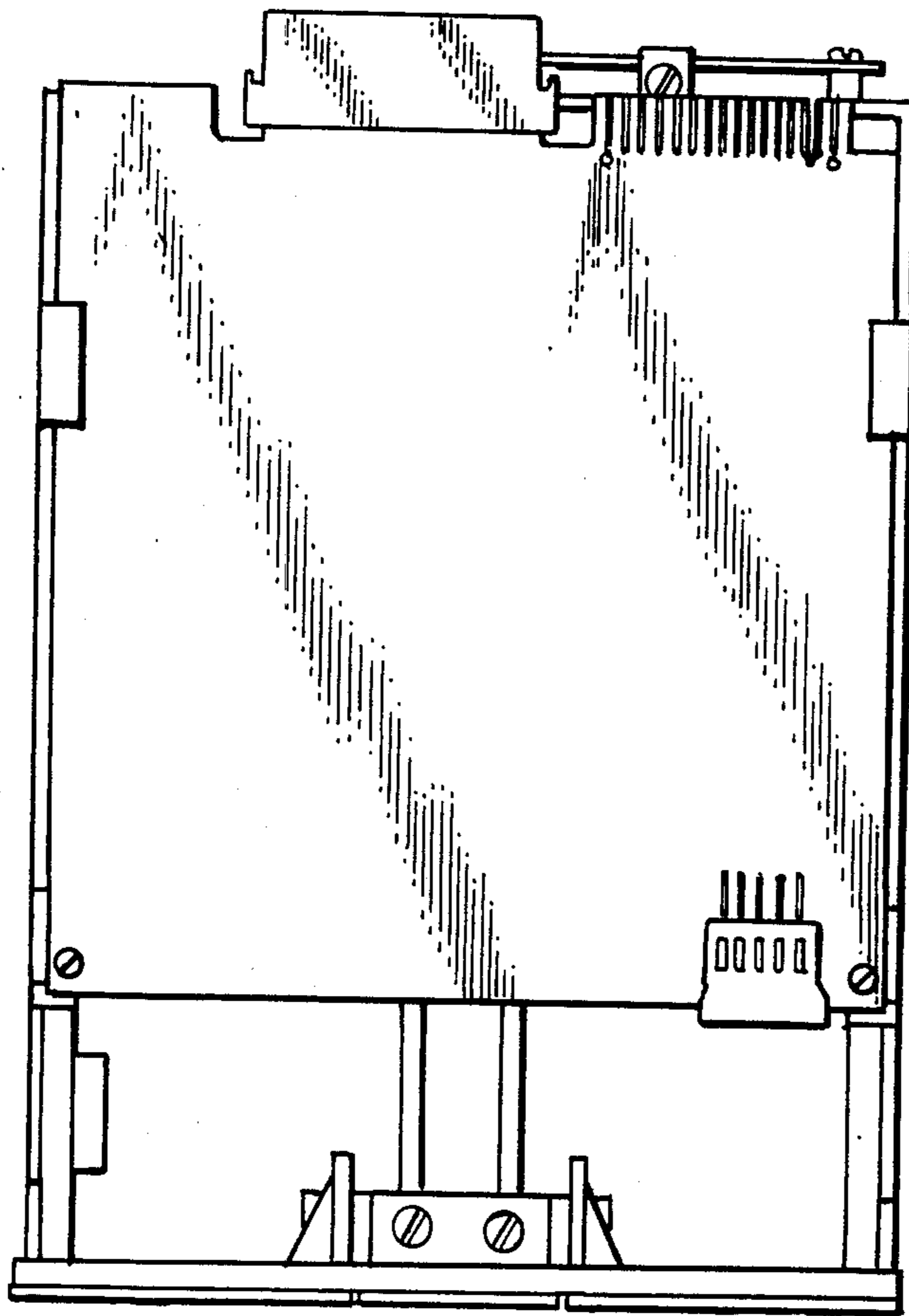


Fig. 2

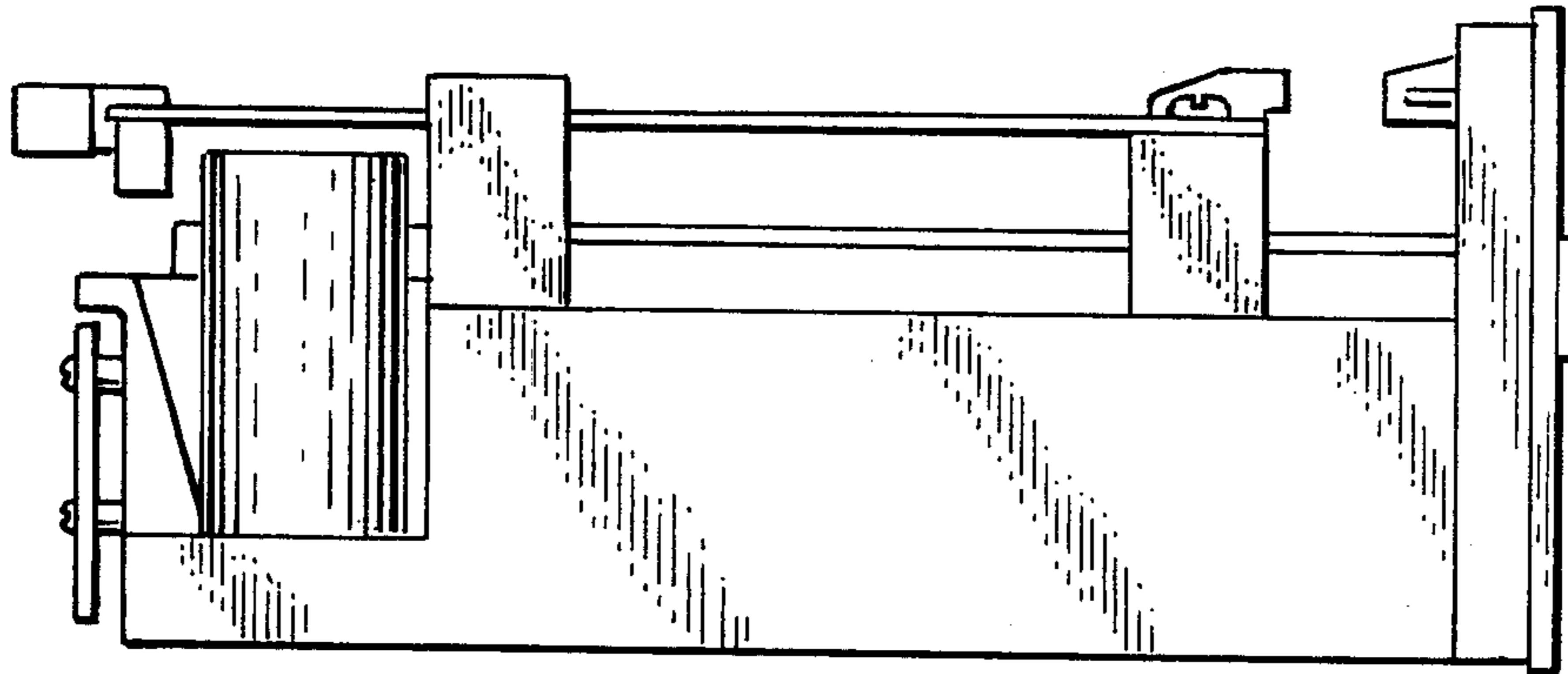


Fig. 3

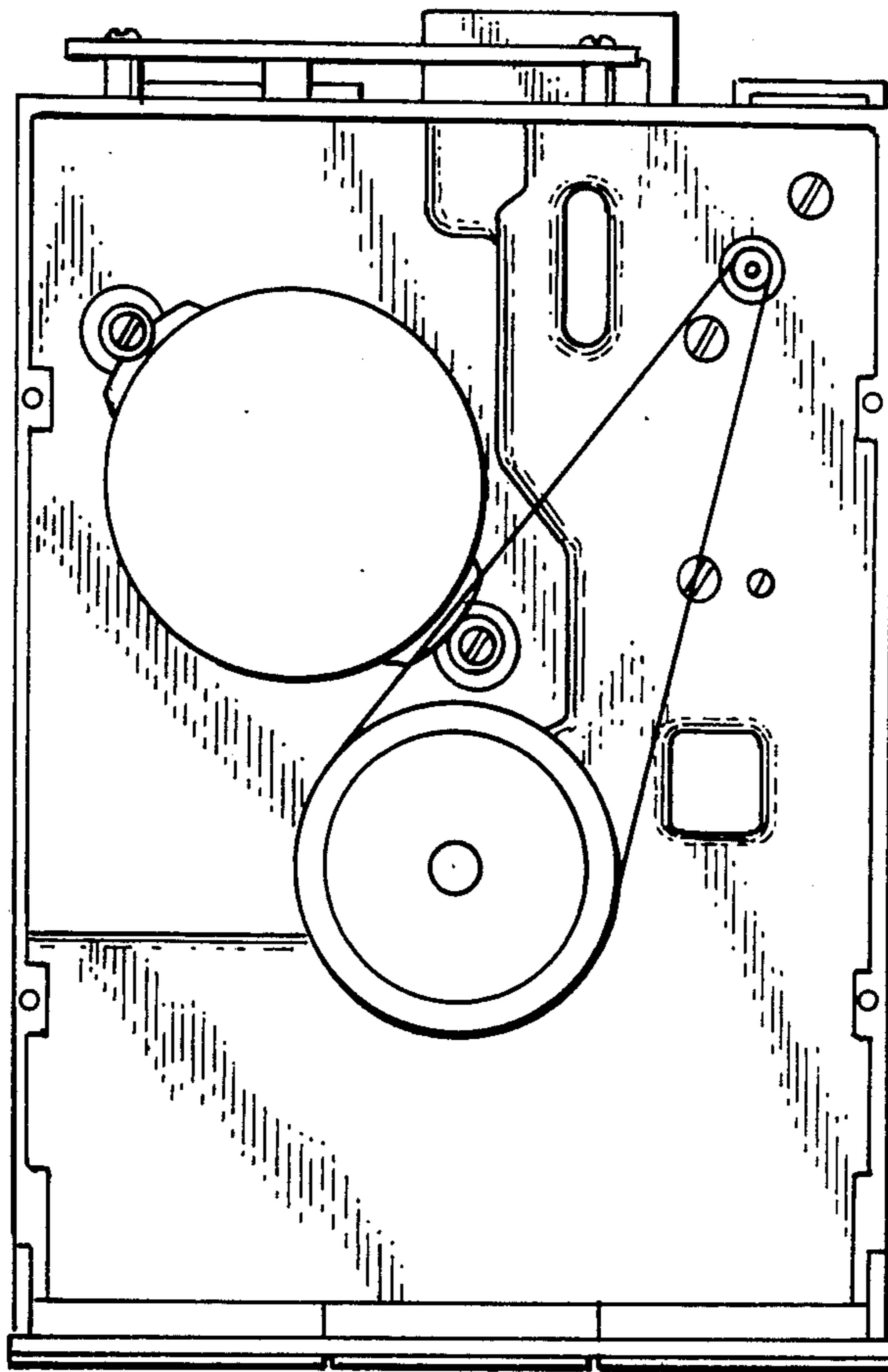


Fig. 4

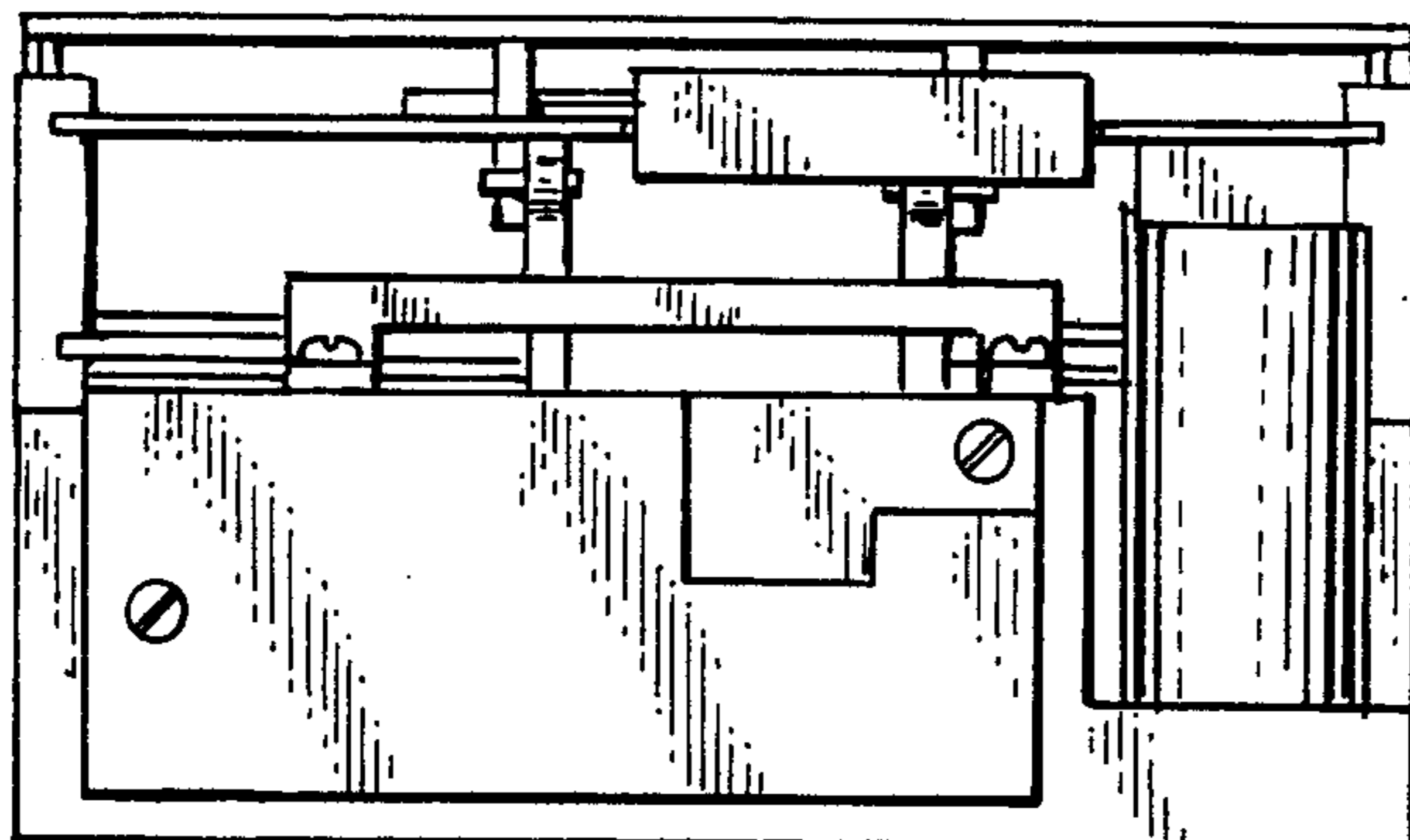


Fig. 5