

[54] CONTAINER FOR LIQUIDS

[75] Inventors: **Guy Hubert**, Lasne-Chapelle Saint Lambert; **Charles Vandenhove**, Vilvoorde, both of Belgium

[73] Assignee: **Societe Bourguignonne d'Applications Plastiques**, Chevigny-Saint-Sauveur, France

[**] Term: **14 Years**

[21] Appl. No.: **662,087**

[22] Filed: **Feb. 27, 1976**

[51] Int. Cl. **D9-03**

[52] U.S. Cl. **D9/175**

[58] Field of Search **D9/167, 168, 175, 157; 215/1 R, 1 C**

[56]

References Cited

U.S. PATENT DOCUMENTS

D. 11,439	9/1879	Potter	D9/157
D. 158,380	5/1950	Heftler	D9/157 X
D. 229,612	12/1973	German	D9/175 X
D. 242,528	11/1976	Weckman	D9/157

Primary Examiner—Robert C. Spangler
Attorney, Agent, or Firm—George H. Spencer

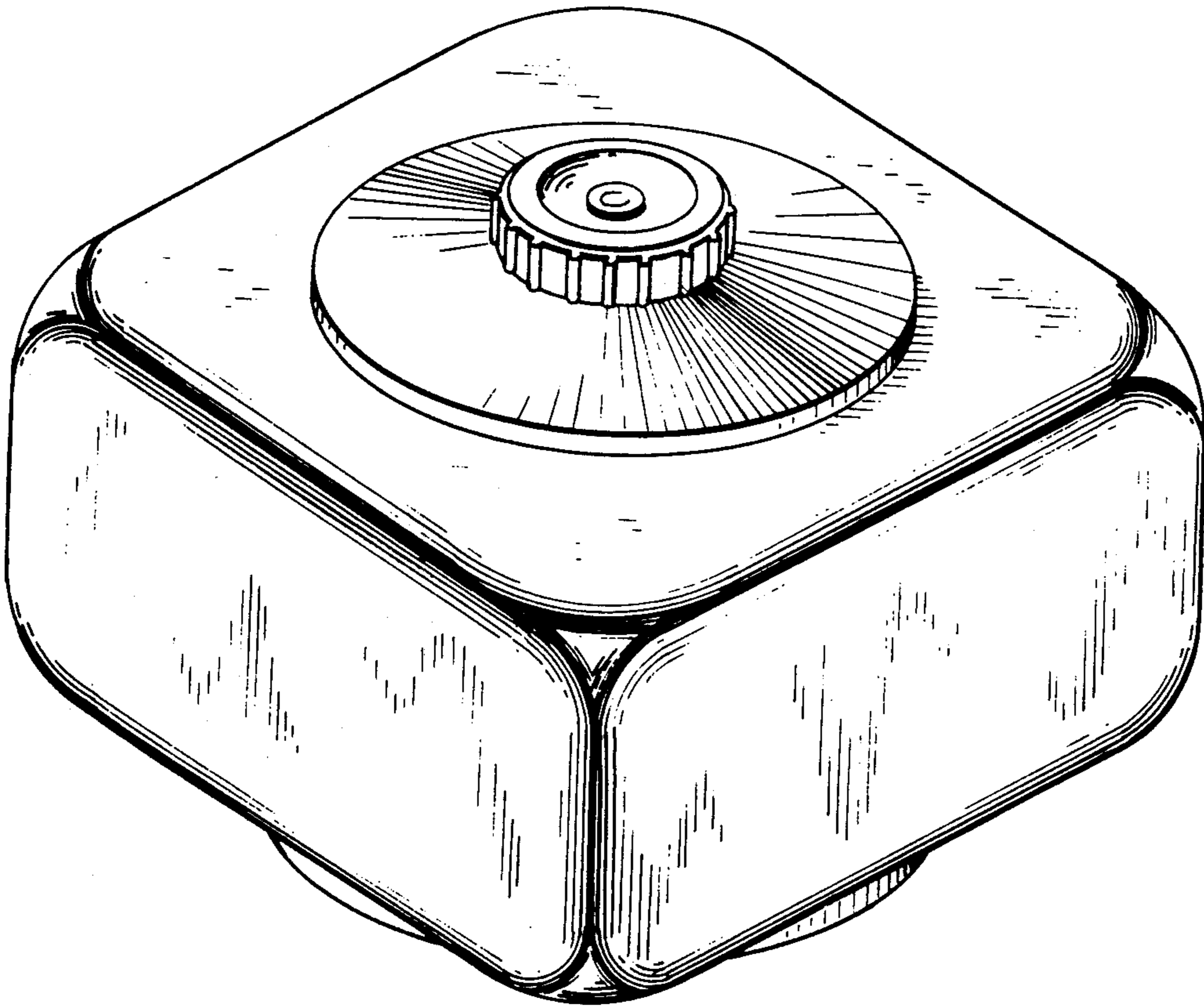
[57]

CLAIM

The ornamental design for a container for liquids, as shown.

DESCRIPTION

FIG. 1 is a perspective view of a container for liquids showing our new design;
FIG. 2 is an elevational view showing one of the sides not seen in FIG. 1;
FIG. 3 is an elevational view showing the side not seen in either FIG. 1 or FIG. 2;
FIG. 4 is a plan view; and
FIG. 5 is a bottom view thereof.



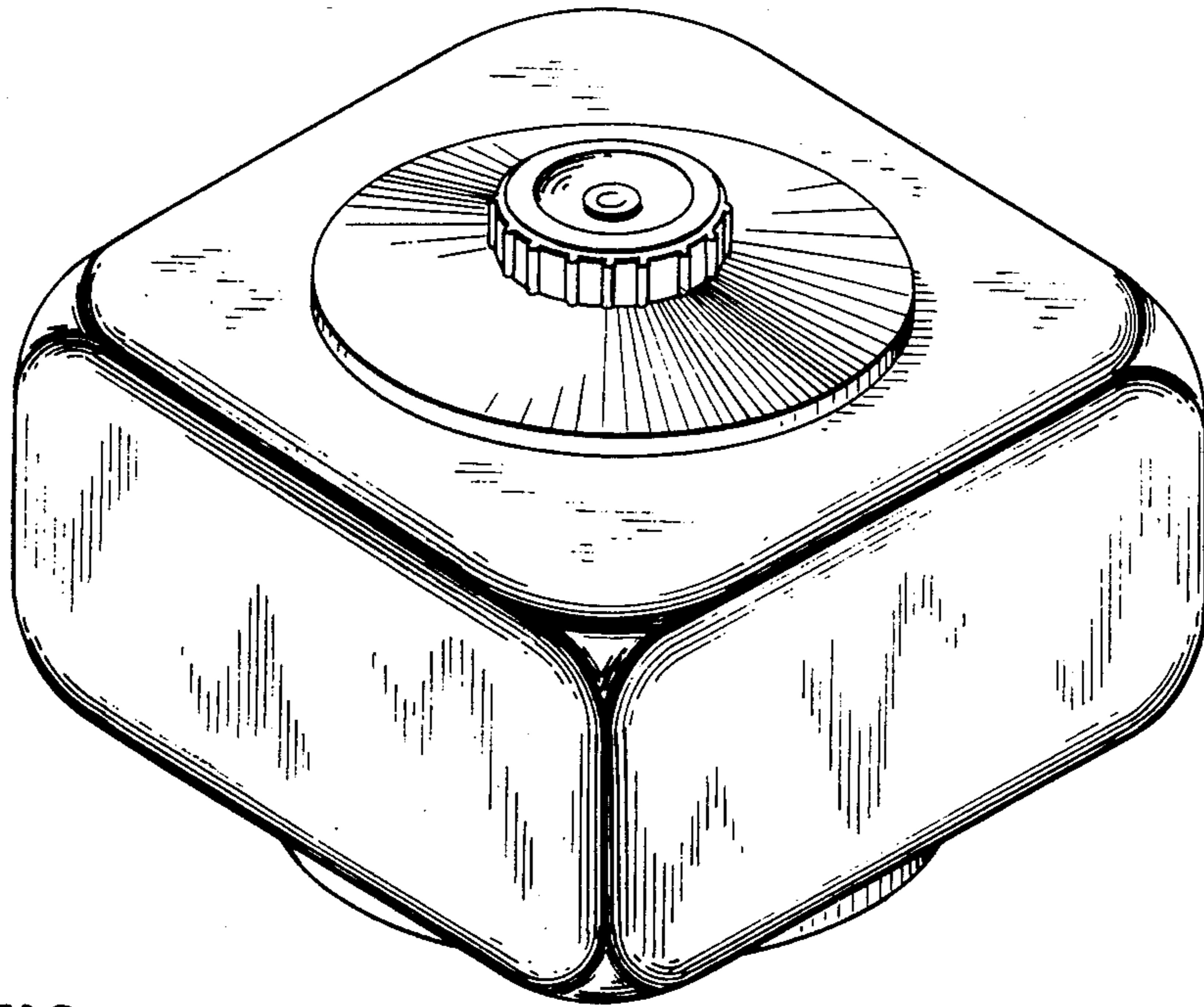


FIG. 1

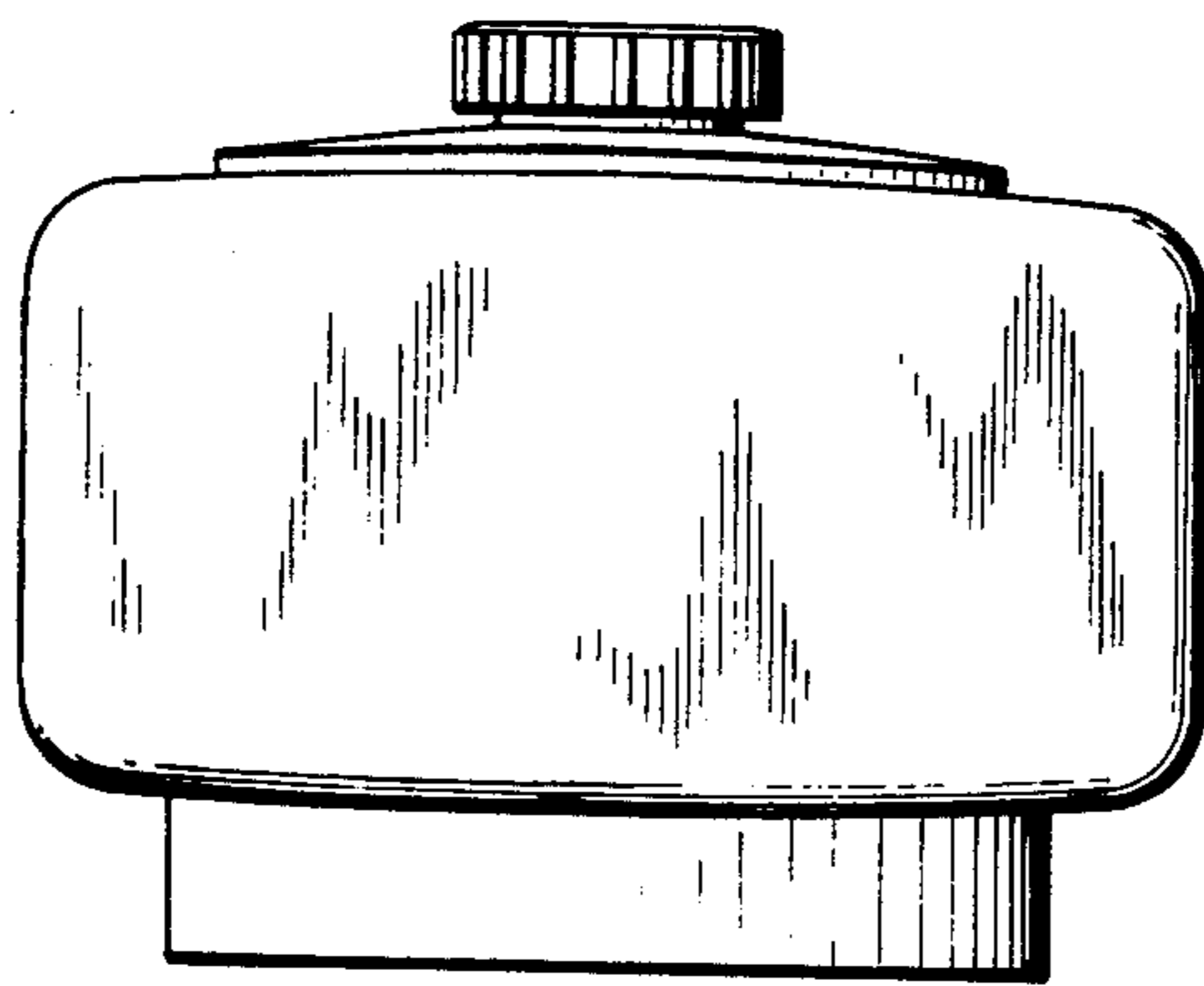


FIG. 2

FIG. 3

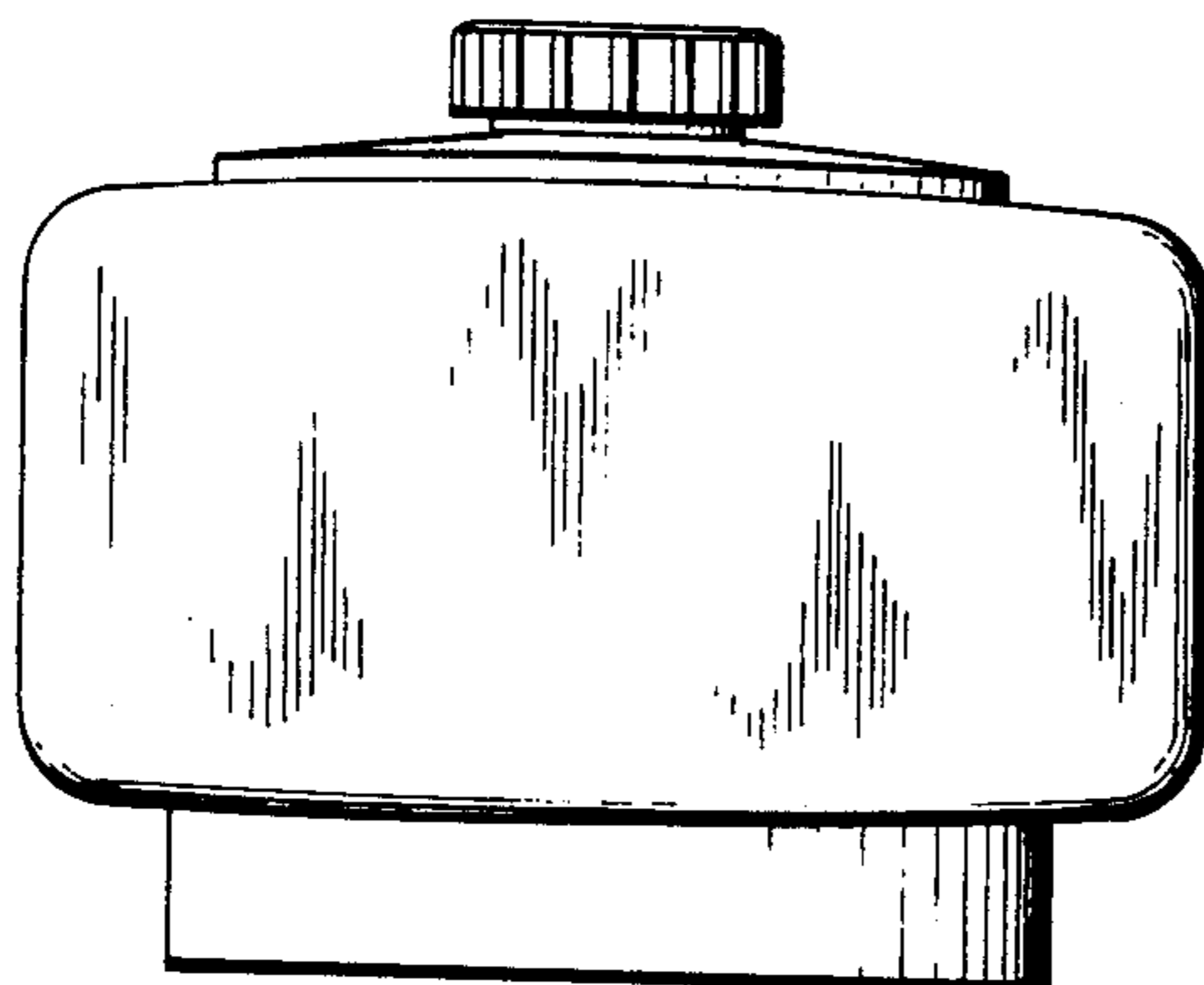


FIG. 4

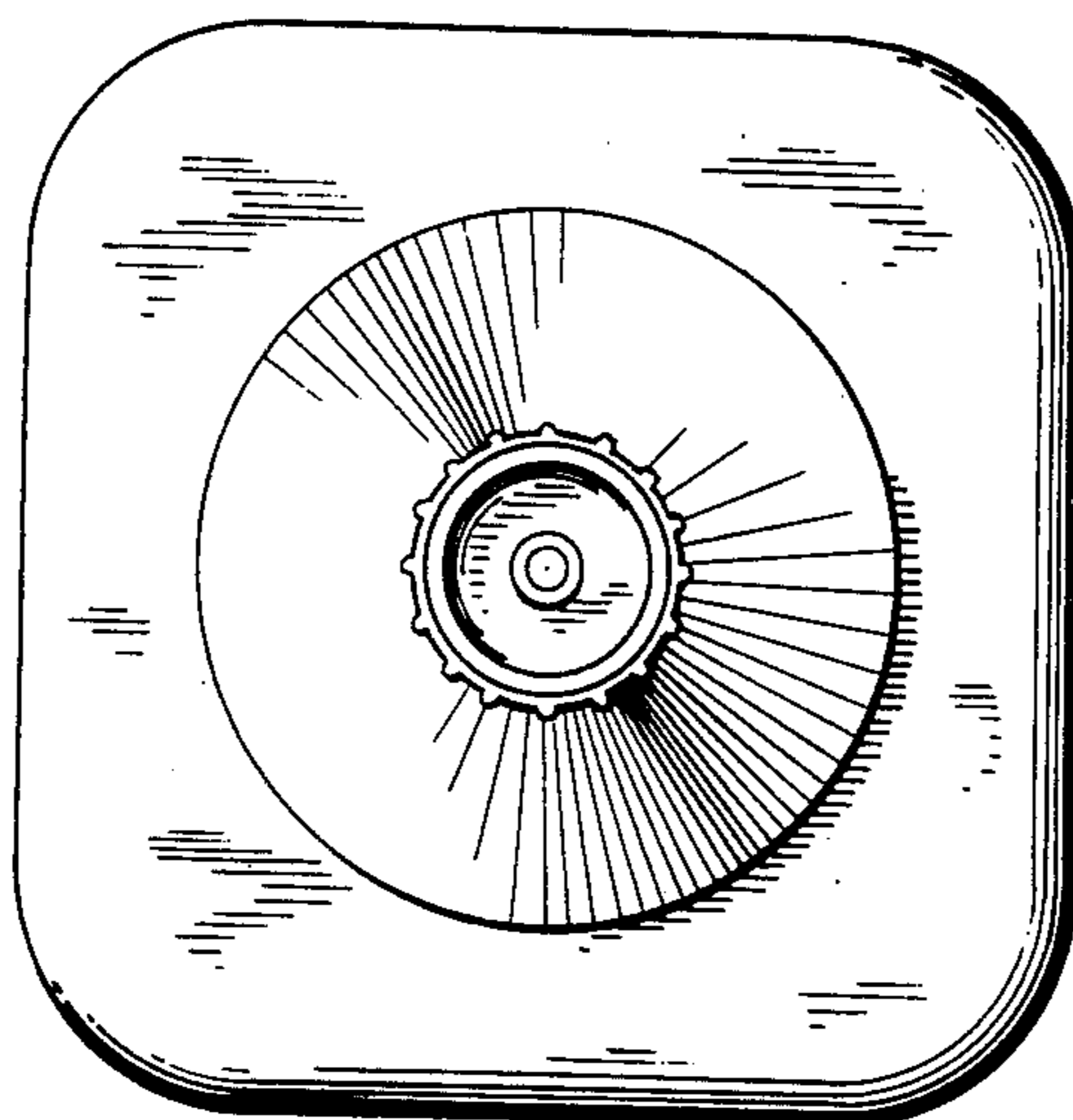


FIG. 5

