

[54] **UTILITY KNIFE**

[75] **Inventor:** Ernest James Rollband,
Brooktondale, N.Y.

[73] **Assignee:** The Stanley Works, New Britain,
Conn.

[**] **Term:** 14 Years

[21] **Appl. No.:** 613,037

[22] **Filed:** Sep. 8, 1975

[51] **Int. Cl.** D8-03

[52] **U.S. Cl.** D8/99

[58] **Field of Search** D8/99; 30/151, 127,
30/289, 290

[56] **References Cited**

U.S. PATENT DOCUMENTS

2,254,199 9/1941 Baltuch 30/289
2,599,439 6/1952 Drake 30/151

OTHER PUBLICATIONS

Stanley Tools, 1971/1972 Broadline Catalog, No. 34, p. 52, Retractable Blade Knife at bottom right of page.

Primary Examiner—Alan P. Douglas

Attorney, Agent, or Firm—John M. Prutzman

[57] **CLAIM**

The ornamental design of a utility knife, substantially as shown.

DESCRIPTION

FIG. 1 is a left side perspective view of a utility knife showing my new design;

FIG. 2 is a right side elevation view thereof;

FIG. 3 is a bottom plan view thereof; and

FIG. 4 is a front elevational view thereof.

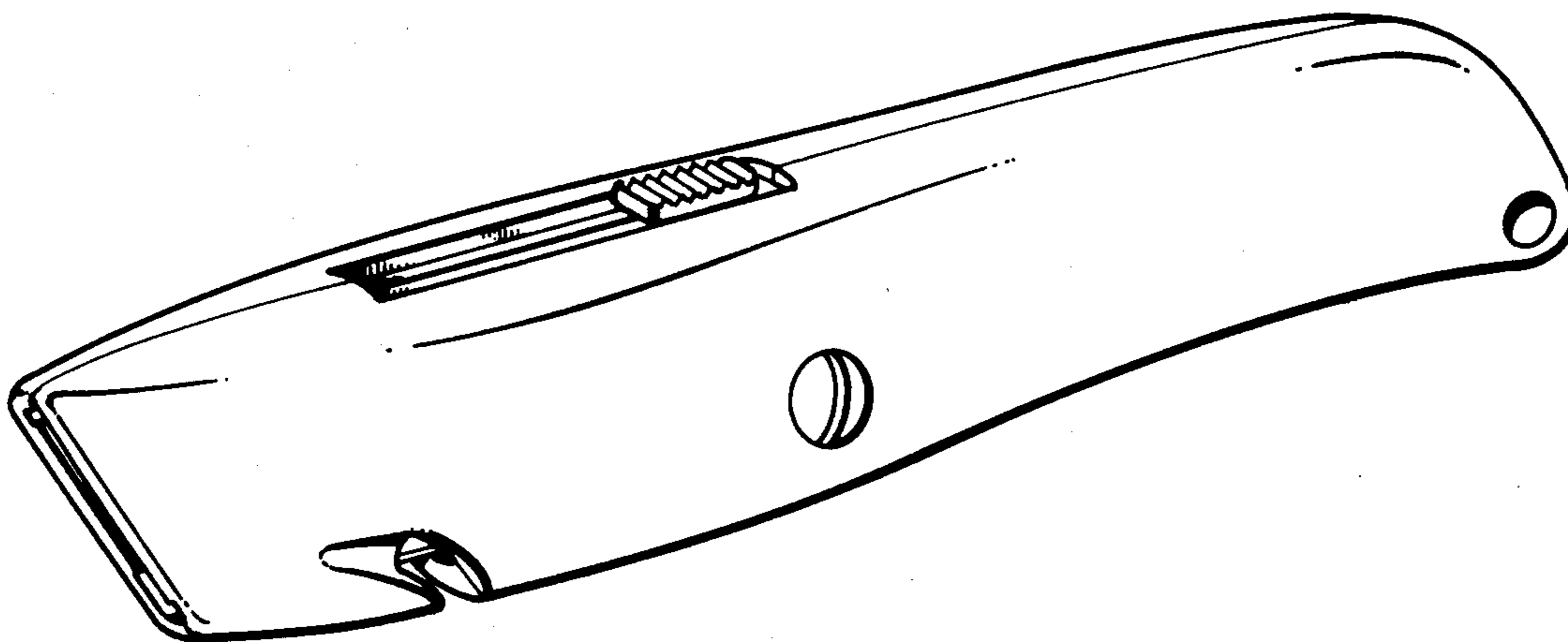


FIG. 1

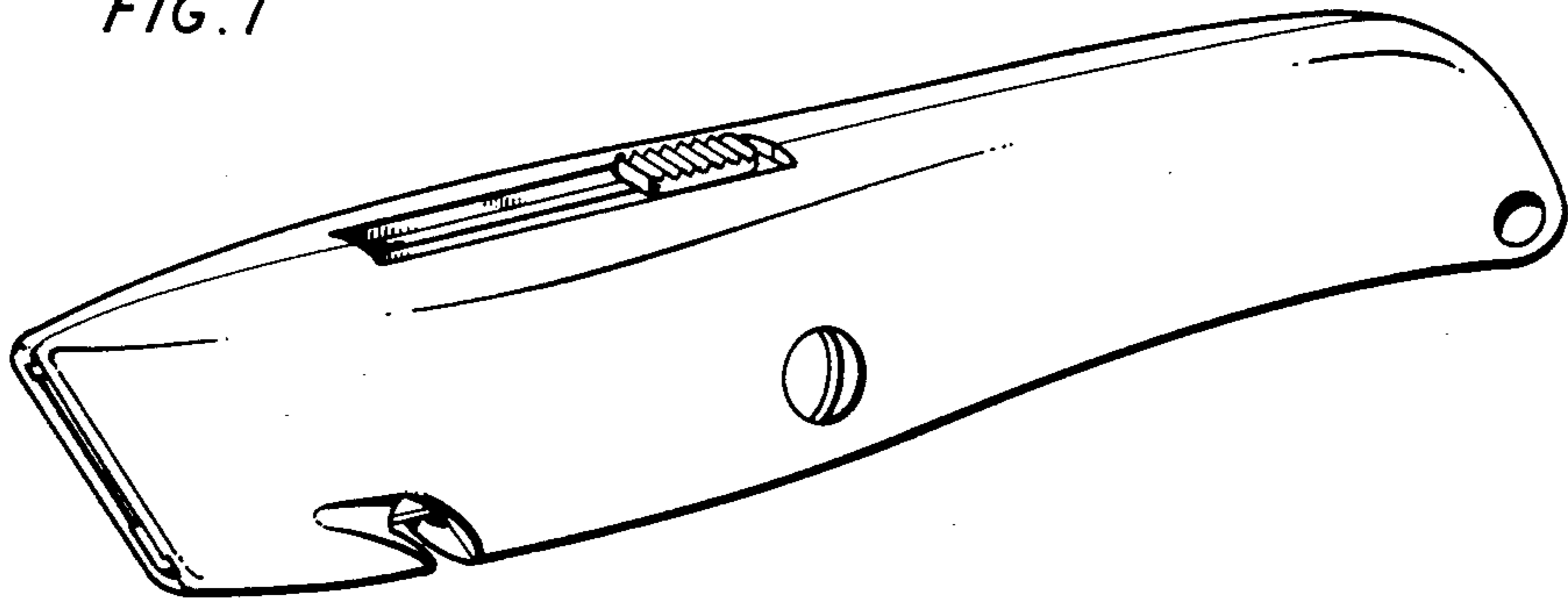


FIG. 2

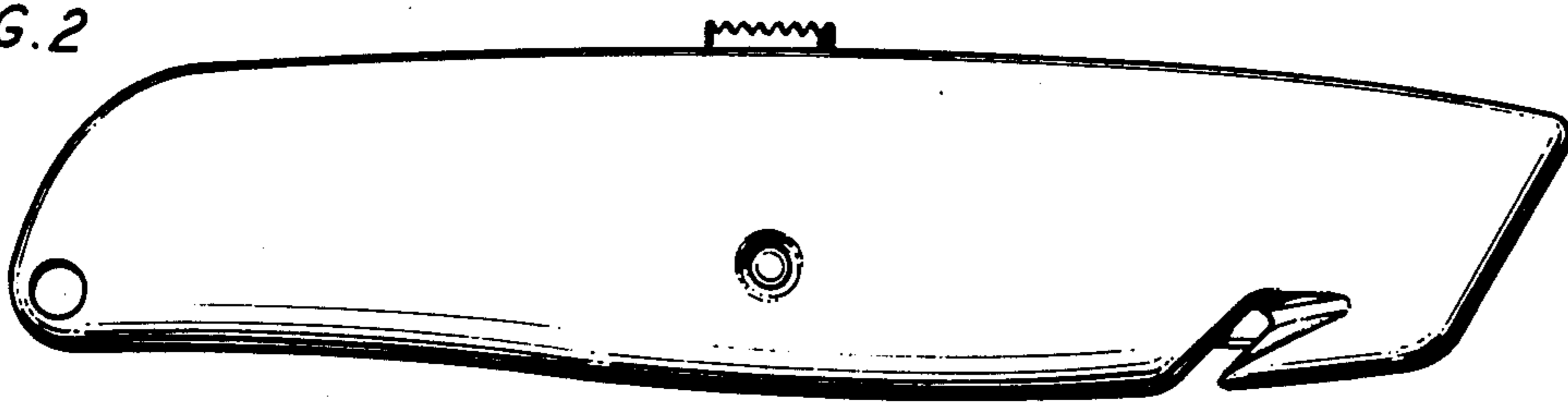


FIG. 3

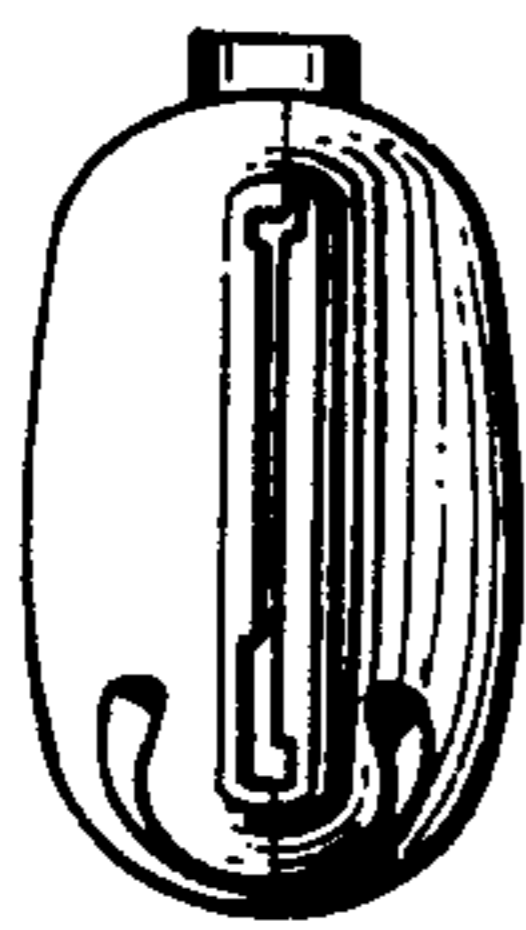
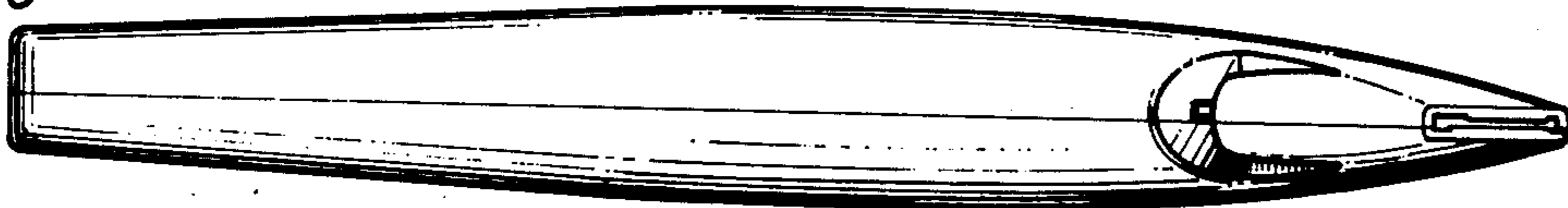


FIG. 4