

[54] JAR OPENER

[76] Inventor: Howard A. Hutson, 779 Kinnikinnik Hill, Golden, Colo. 80401

[\*\*] Term: 14 Years

[21] Appl. No.: 722,642

[22] Filed: Sep. 13, 1976

[51] Int. Cl. .... D7-06

[52] U.S. Cl. .... D8/37; D8/40

[58] Field of Search ..... 81/3.1 R, 3.3 R, 3.32, 81/3.4; D8/37, 34, 40, 18, 43

[56] References Cited

U.S. PATENT DOCUMENTS

D. 171,419 2/1954 Muzzy ..... D8/34  
D. 194,118 11/1962 Woodbury ..... D8/40

2,053,246 9/1936 Lurcott ..... D8/37 X  
3,120,771 2/1964 Woodbury ..... 81/3.4

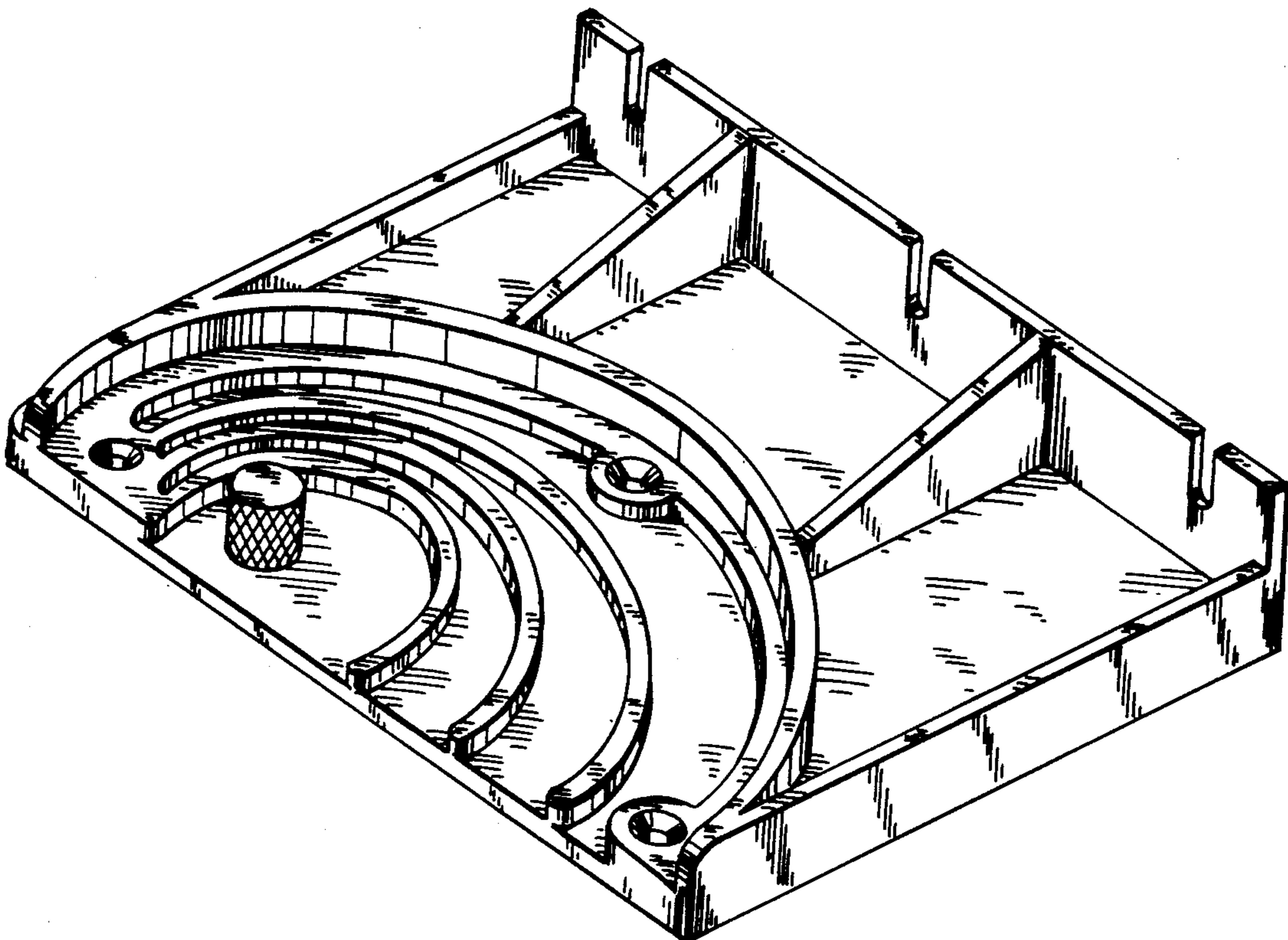
Primary Examiner—Winifred E. Herrmann  
Attorney, Agent, or Firm—Philip H. Sheridan

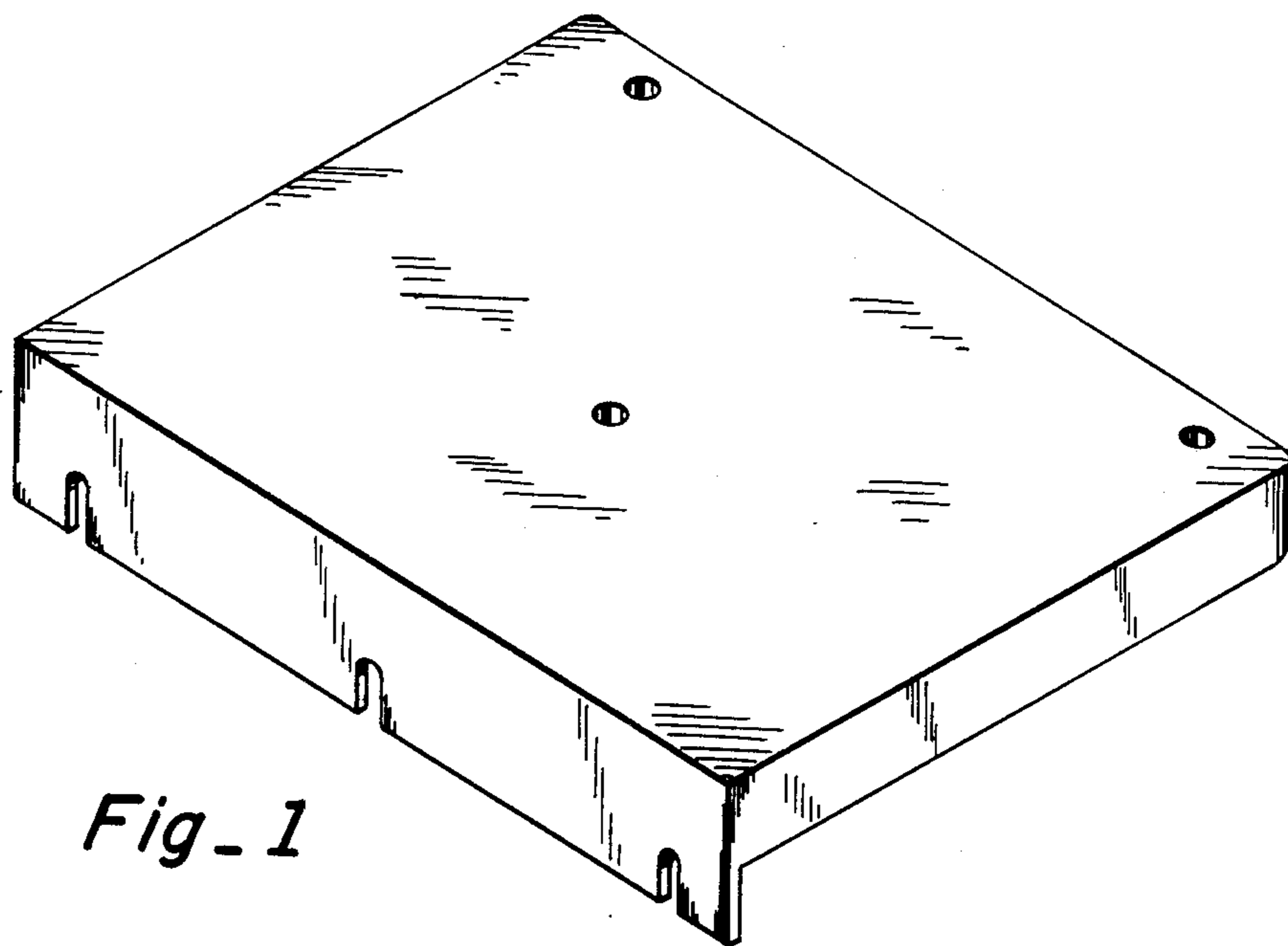
[57] CLAIM

The ornamental design for a jar opener, as shown.

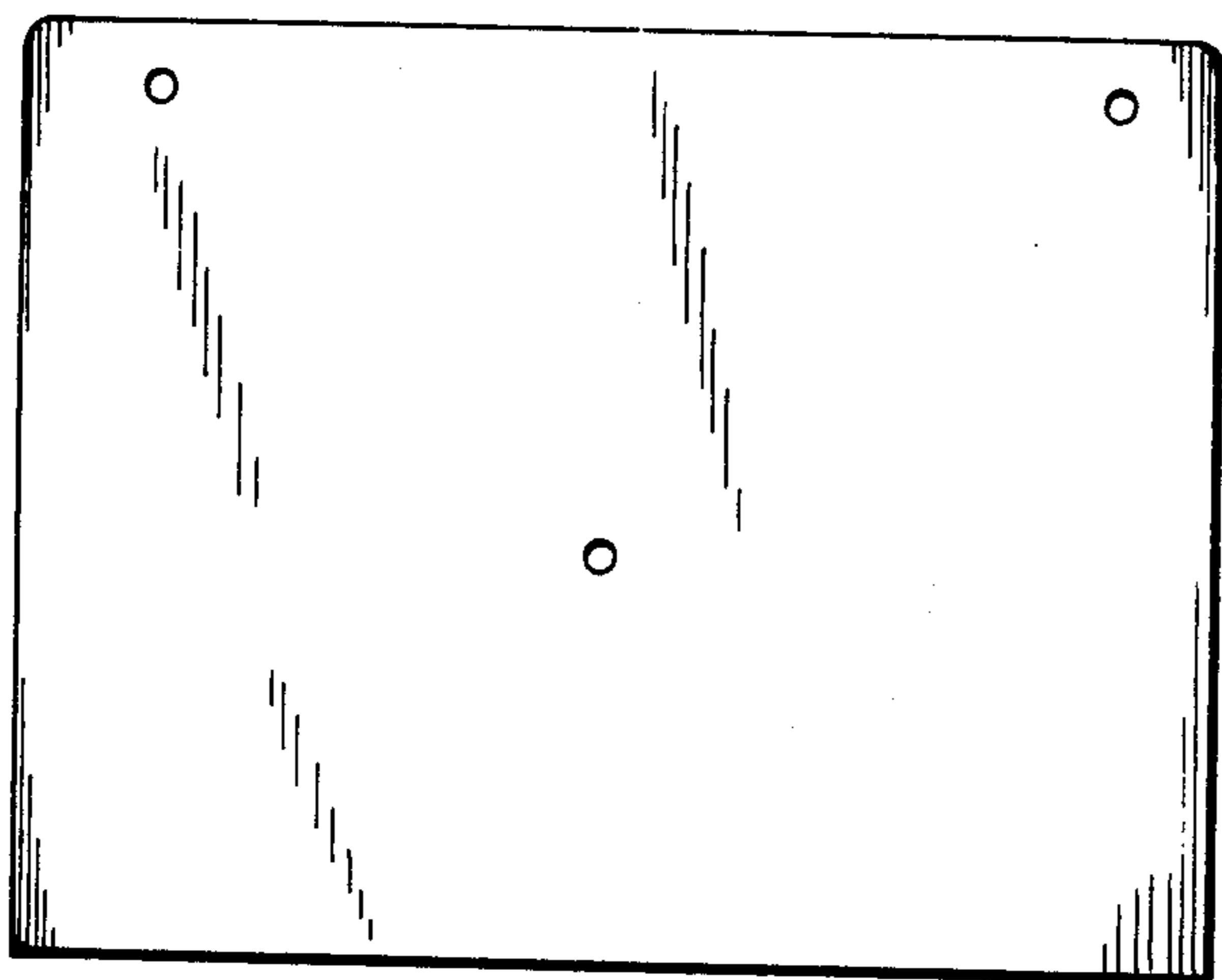
DESCRIPTION

FIG. 1 is a top perspective view of a jar opener showing my new design;  
FIG. 2 is a top plan view thereof;  
FIG. 3 is a bottom perspective view thereof;  
FIG. 4 is a front side elevational view thereof;  
FIG. 5 is a bottom plan view thereof;  
FIG. 6 is an end elevational view thereof;  
FIG. 7 is an opposite end elevational view thereof; and  
FIG. 8 is a back side elevational view thereof.





*Fig-1*



*Fig-2*

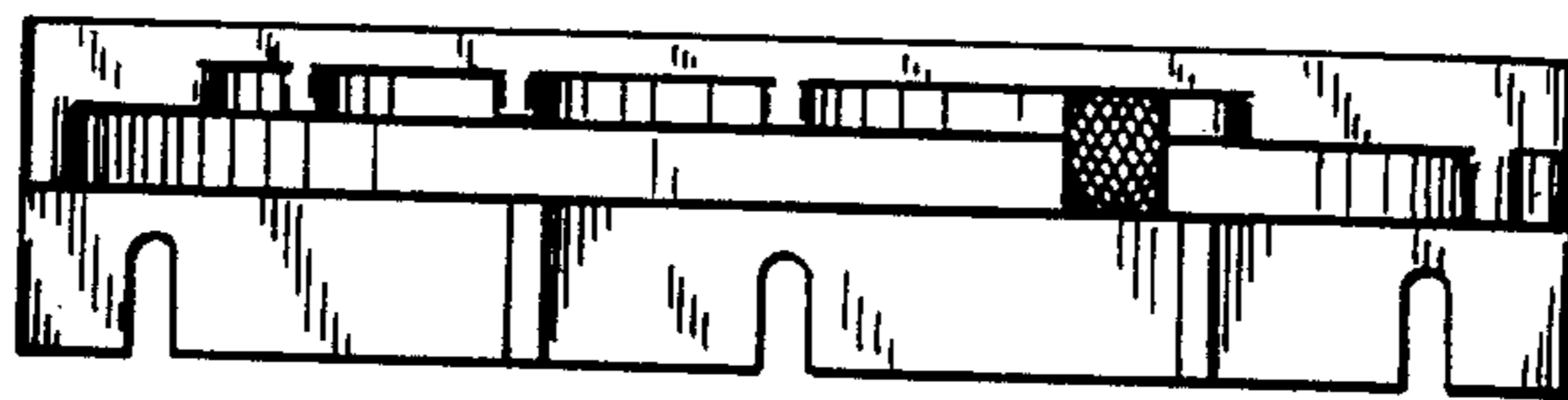
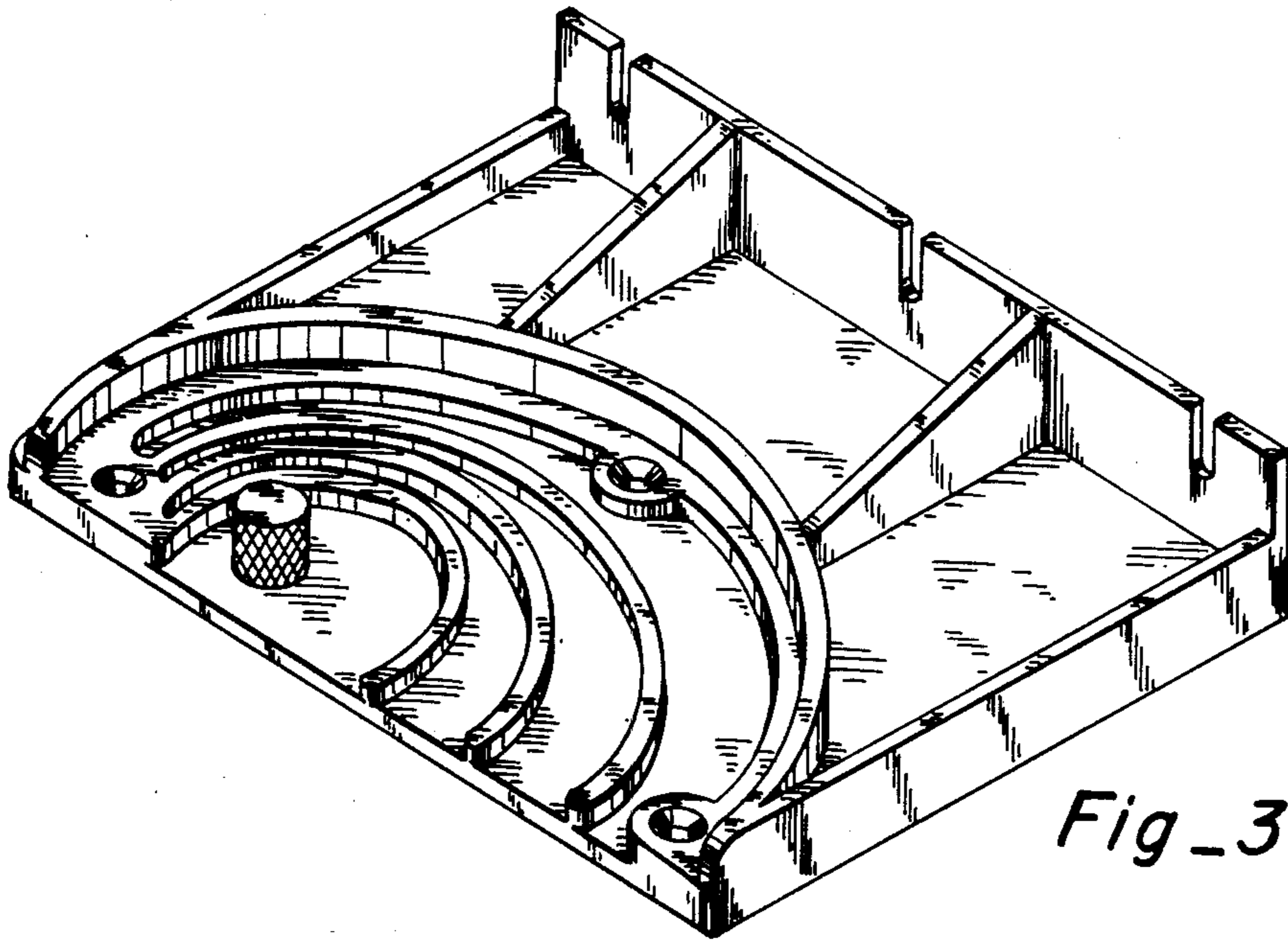


Fig. 4



Fig. 6

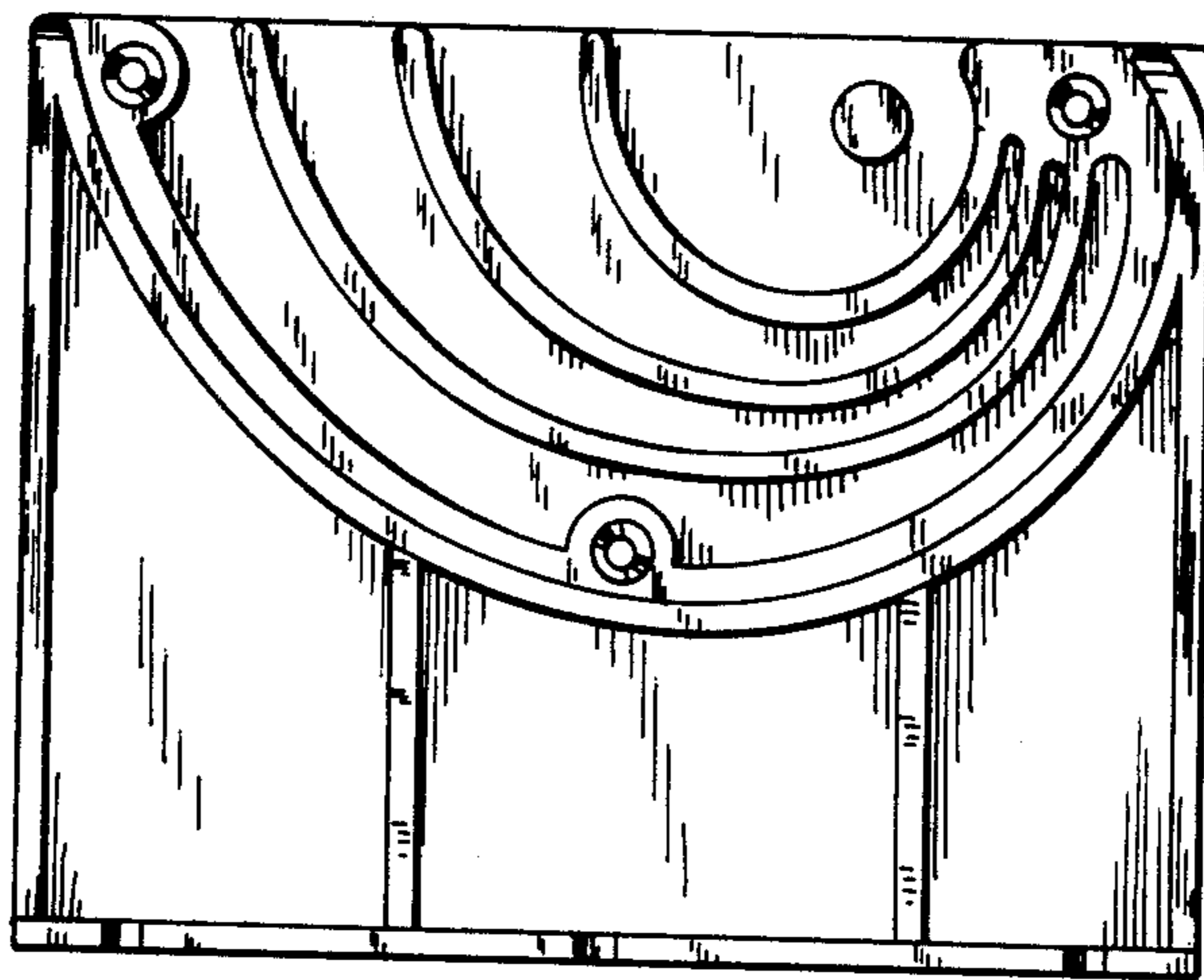


Fig. 5

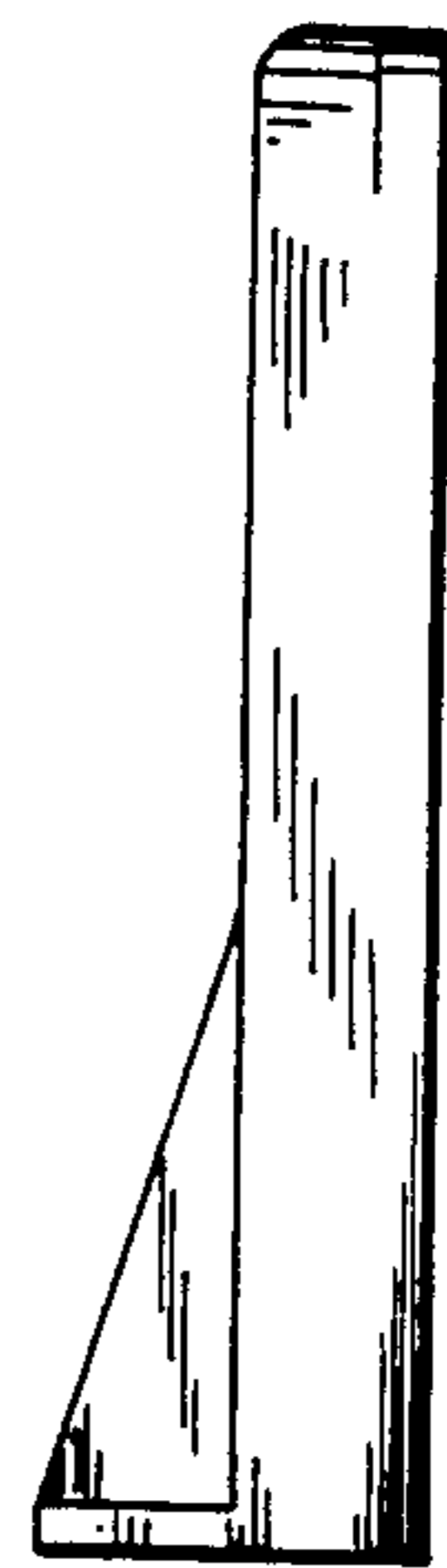


Fig. 7

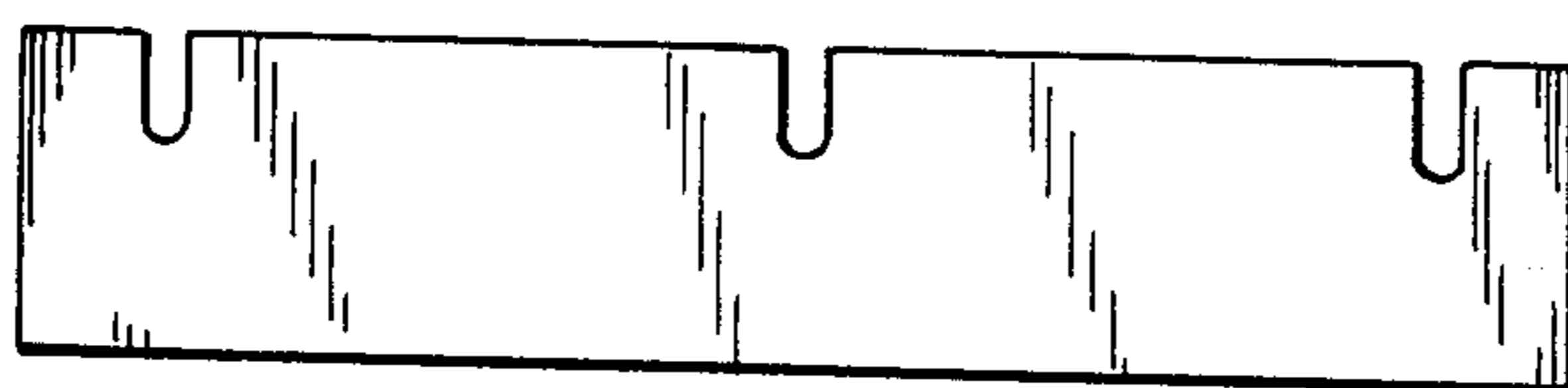


Fig. 8