

[54] BOTTLE DRAINER STAND  
 [76] Inventor: F. Karl Korn, 1634 8th Ave. N., Fort Dodge, Iowa  
 [\*\*] Term: 14 Years  
 [21] Appl. No.: 738,656  
 [22] Filed: Nov. 4, 1976  
 [51] Int. Cl. .... D7-99  
 [52] U.S. Cl. .... D7/70; D6/23; D6/146; D7/130  
 [58] Field of Search ..... D7/70, 71, 130, 129, D7/125, 90, 63, 68, 41, 85; D6/23, 146, 148

D. 139,890 1/1945 McDonald ..... D6/148  
 D. 185,115 5/1959 Beerman ..... D7/68  
 D. 204,198 3/1966 Lippisch ..... D6/146  
 D. 234,285 2/1975 Wickenberg ..... D7/85  
 2,780,081 2/1957 Alexander ..... D7/70 X  
 3,393,892 7/1968 Buck ..... D7/70 X

FOREIGN PATENT DOCUMENTS

12,622 of 1897 United Kingdom ..... D7/125

Primary Examiner—Winifred E. Herrmann  
 Attorney, Agent, or Firm—Carl M. Lewis

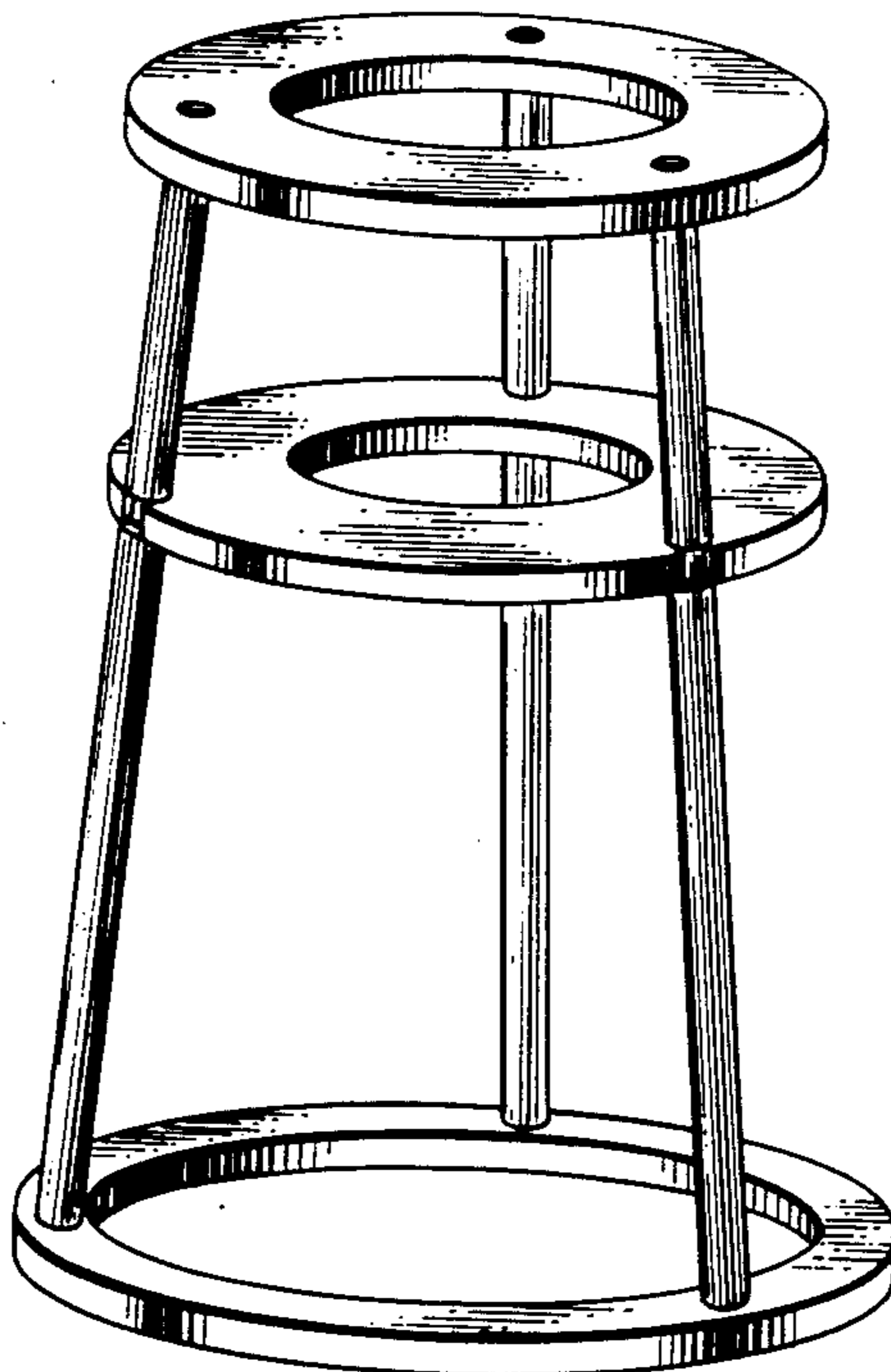
[57] CLAIM

The ornamental design for a bottle drainer stand, as shown.

DESCRIPTION

FIG. 1 is a side perspective view of a bottle drainer stand showing my new design; FIG. 2 is a top plan view thereof; and FIG. 3 is a bottom plan view thereof.

[56] References Cited  
 U.S. PATENT DOCUMENTS  
 D. 28,117 1/1898 Miner ..... D6/146  
 D. 97,351 10/1935 Kipp ..... D6/146 X  
 D. 134,388 11/1942 Waltman ..... D 6/148



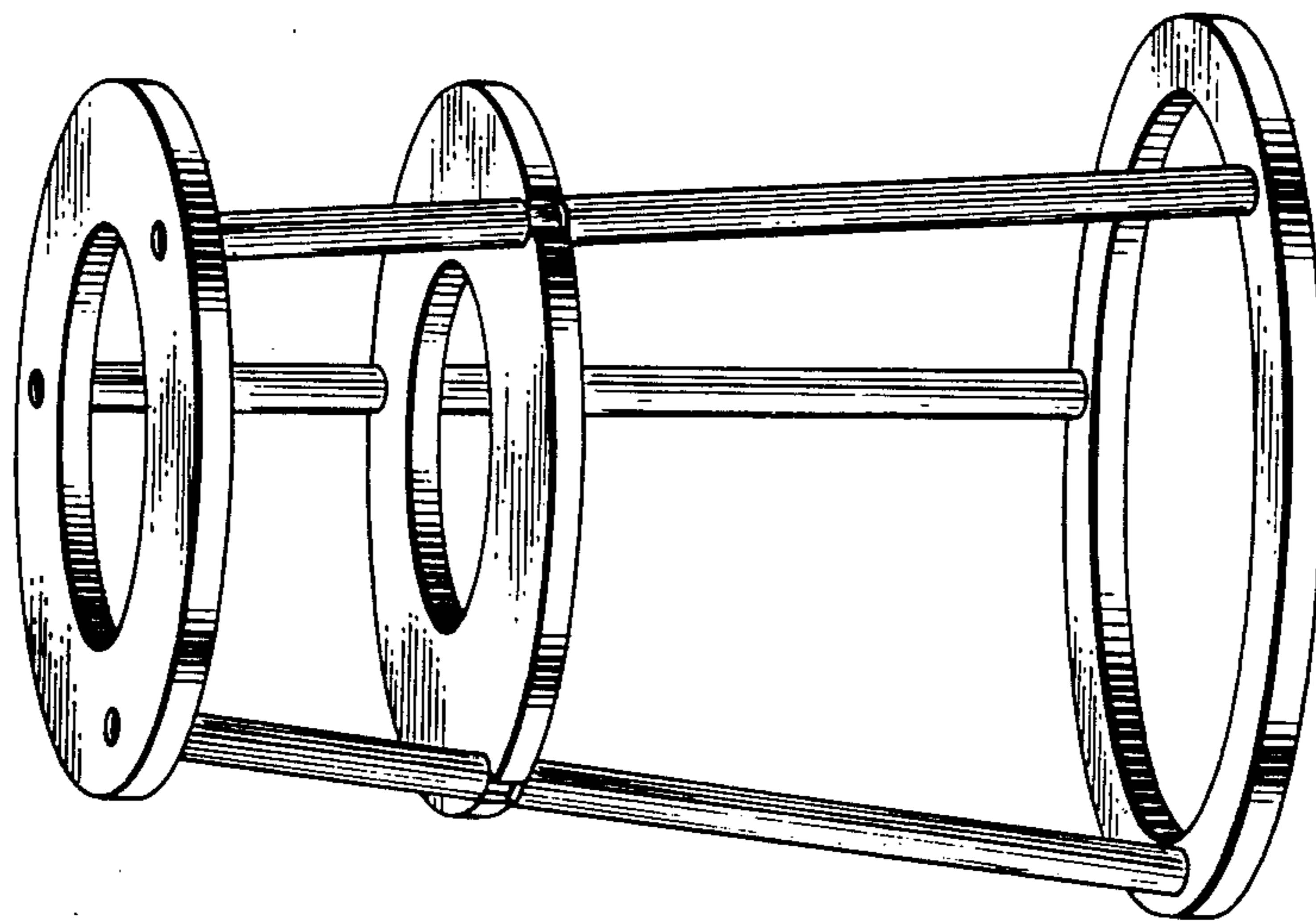


FIG. 1

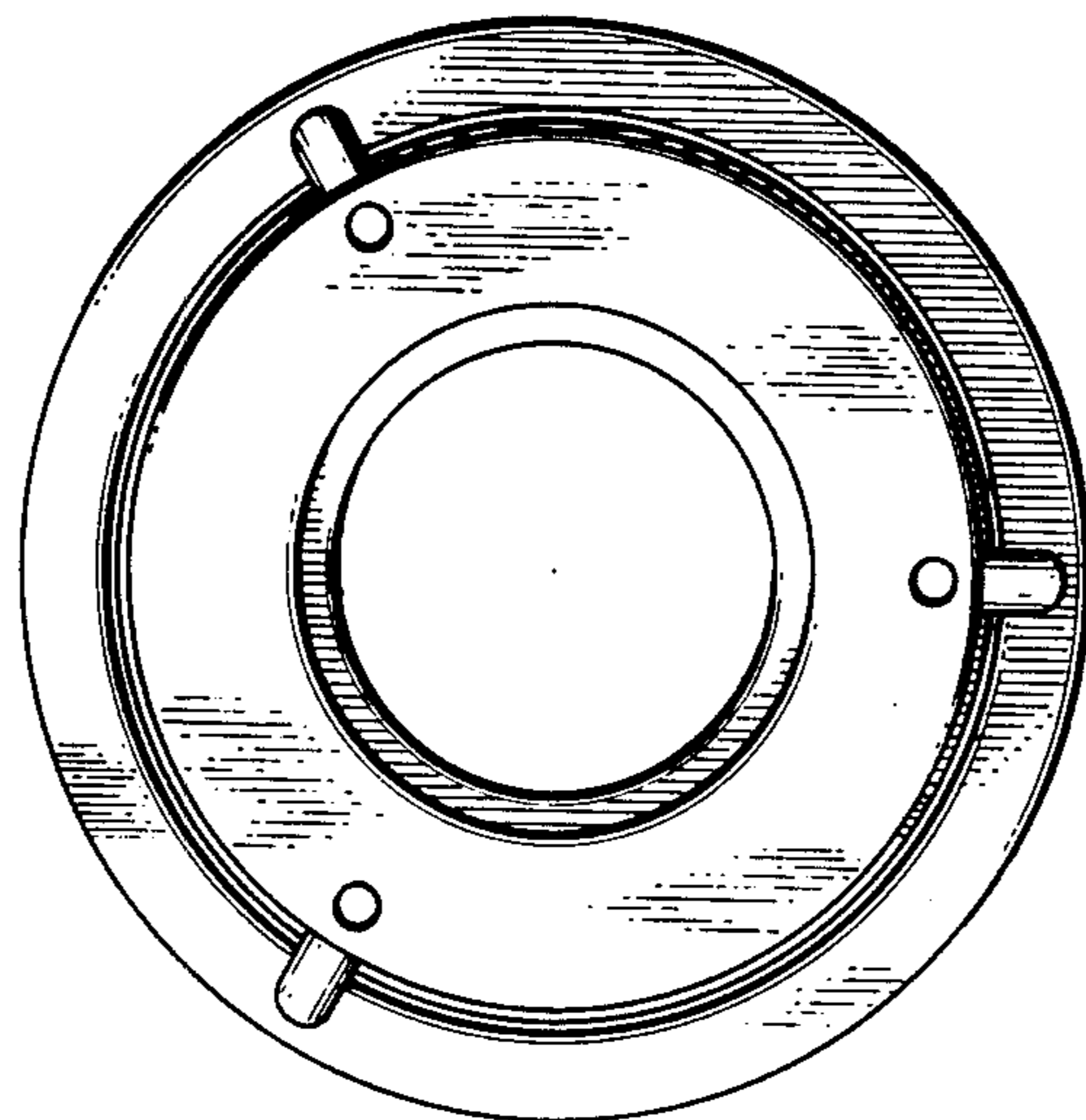


FIG. 2

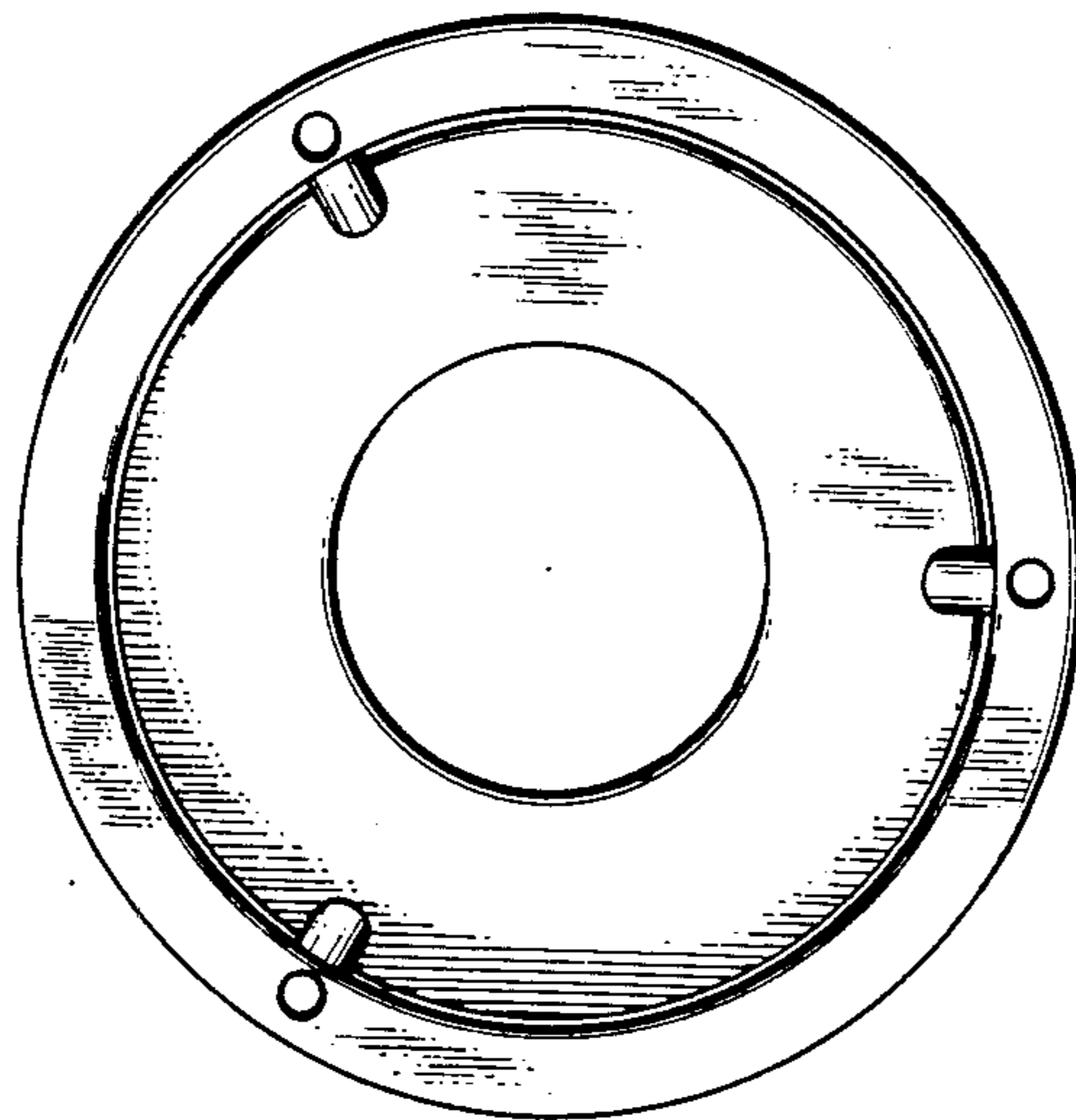


FIG. 3