

[54] CORNER PROTECTORS

[76] Inventors: Melvyn Wilde, 21 Lime Grove, Lowton, Warrington, Cheshire; Robert John Sutton, 50 Westbourne Rd., Birkdale, Southport, Lancashire, both of England

[**] Term: 14 Years

[21] Appl. No.: 740,177

[22] Filed: Nov. 9, 1976

[51] Int. Cl. D6-06

[52] U.S. Cl. D6/191

[58] Field of Search D6/177, 178, 179, 191, D6/192; D87/5 A; 229/14, 14 C, DIG. 1; 248/345.1; 206/523; 312/140.4

[56]

References Cited

U.S. PATENT DOCUMENTS

3,144,236	8/1964	Clanin	248/345.1
3,150,854	9/1964	Jamieson	248/345.1
3,260,491	7/1966	Goode	248/345.1
3,446,345	5/1969	Frosoy	248/345.1 X
3,762,626	10/1973	Dorsey	248/345.1 X

Primary Examiner—Bruce W. Dunkins

Attorney, Agent, or Firm—Roberts B. Larson

[57]

CLAIM

The ornamental design for a corner protector, substantially as shown.

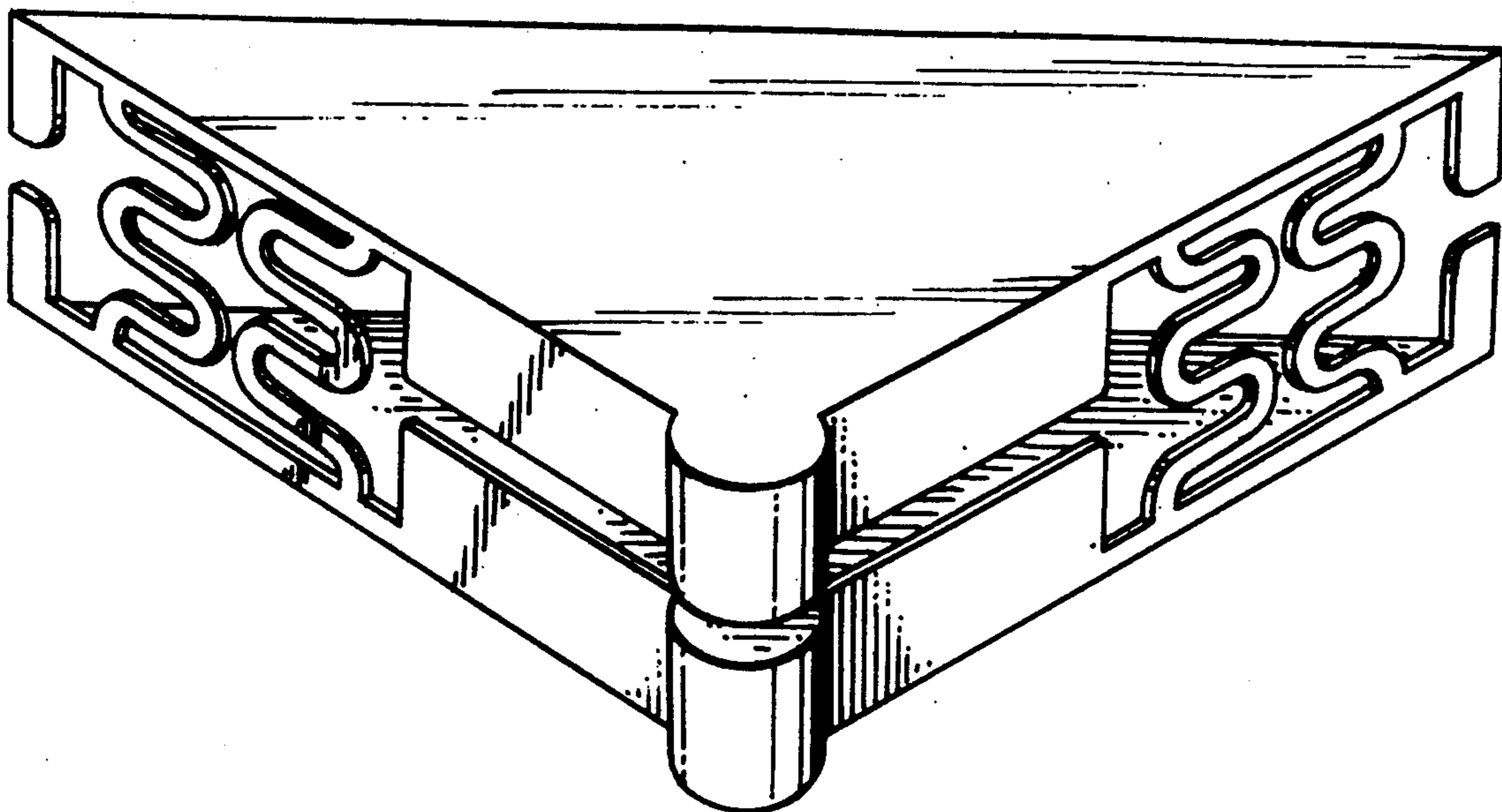
DESCRIPTION

FIG. 1 is a perspective view of a corner protector embodying our design;

FIG. 2 is an underneath plan view of the corner protector depicted in FIG. 1, the top plan view being similar;

FIG. 3 is an elevation looking into the mouth of the corner protector depicted in FIG. 1; and

FIG. 4 is an elevation in the direction of the arrow 4 of FIG. 2 of the corner protector.



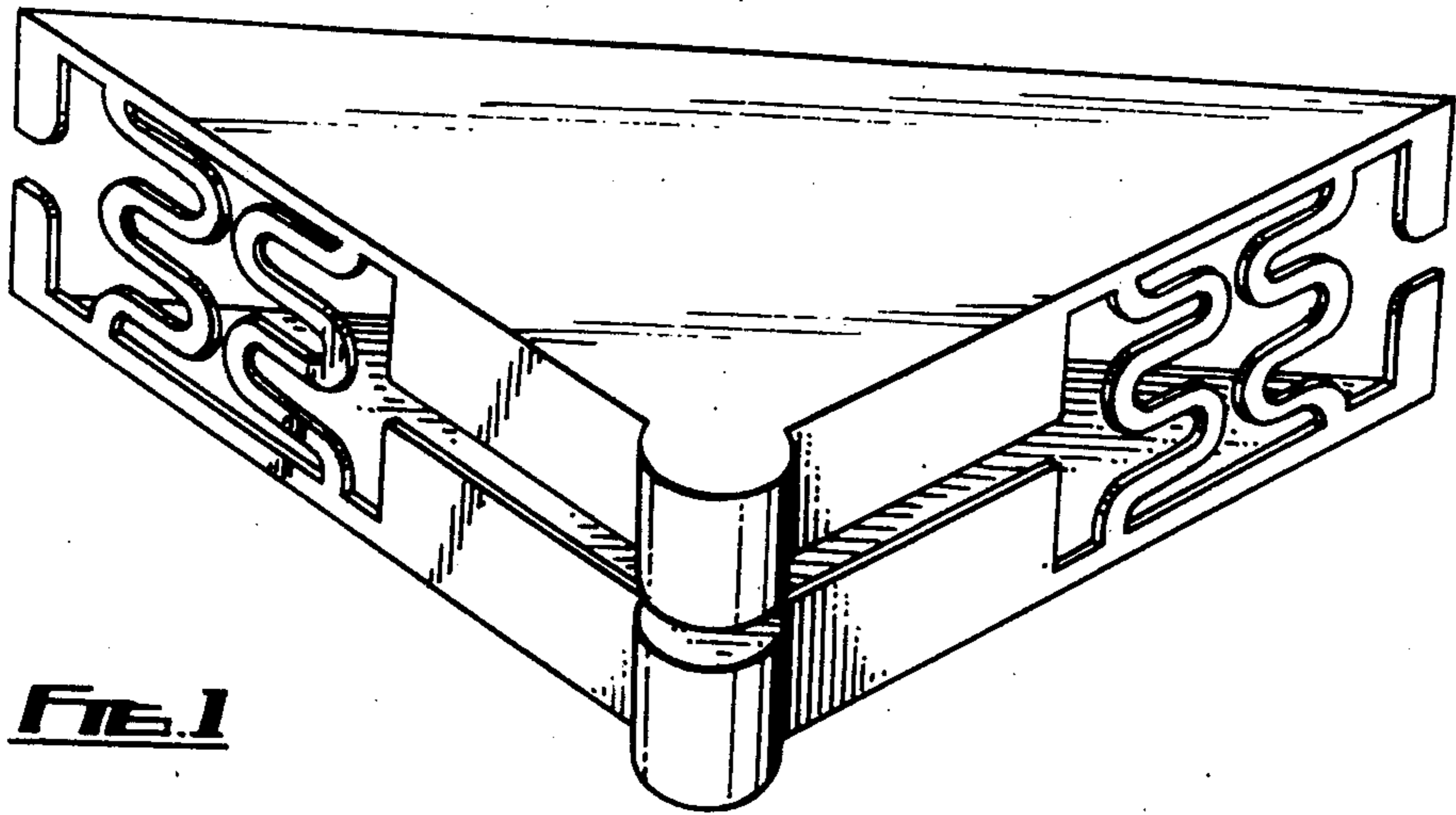


FIG. 1

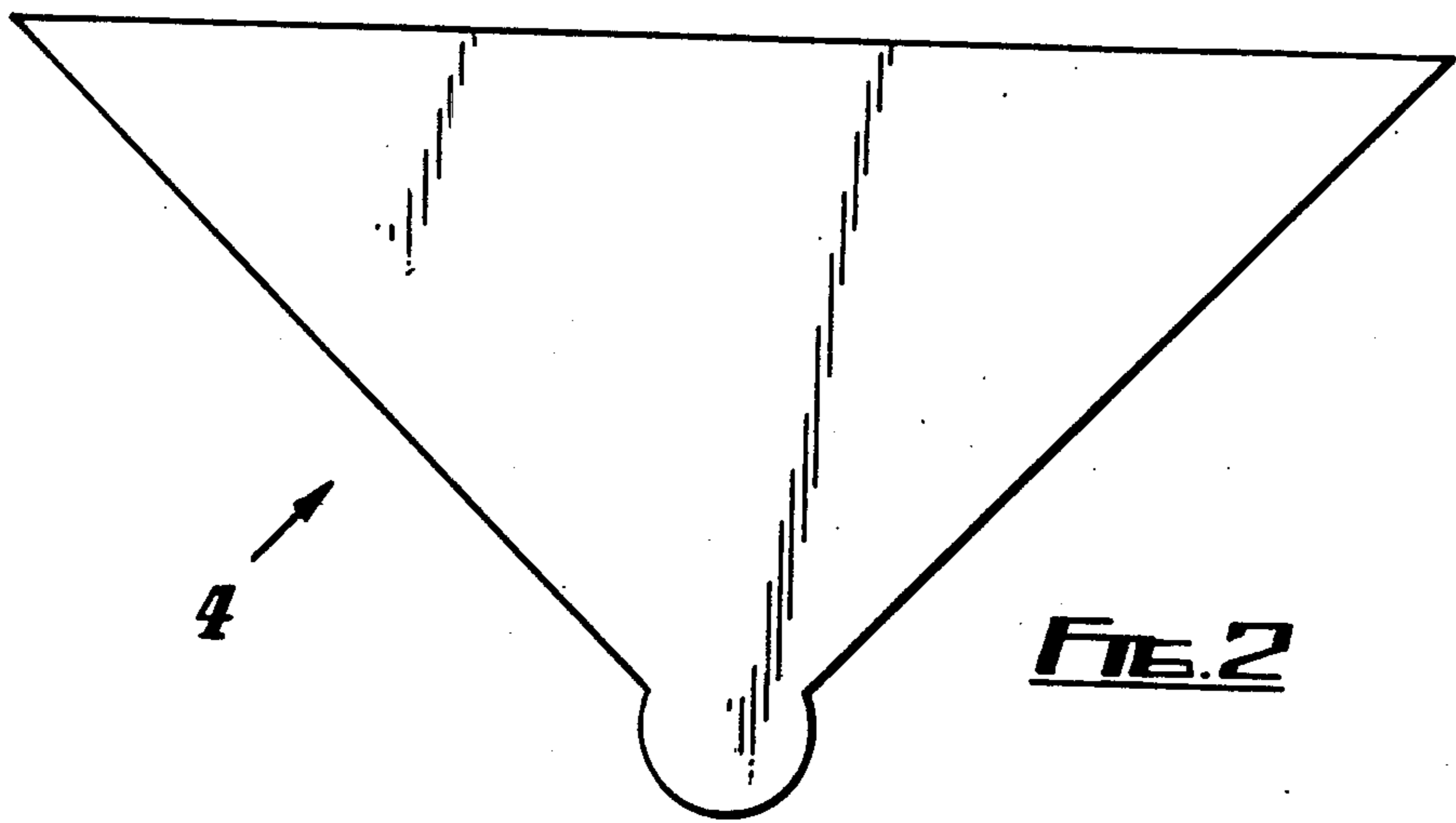


FIG. 2

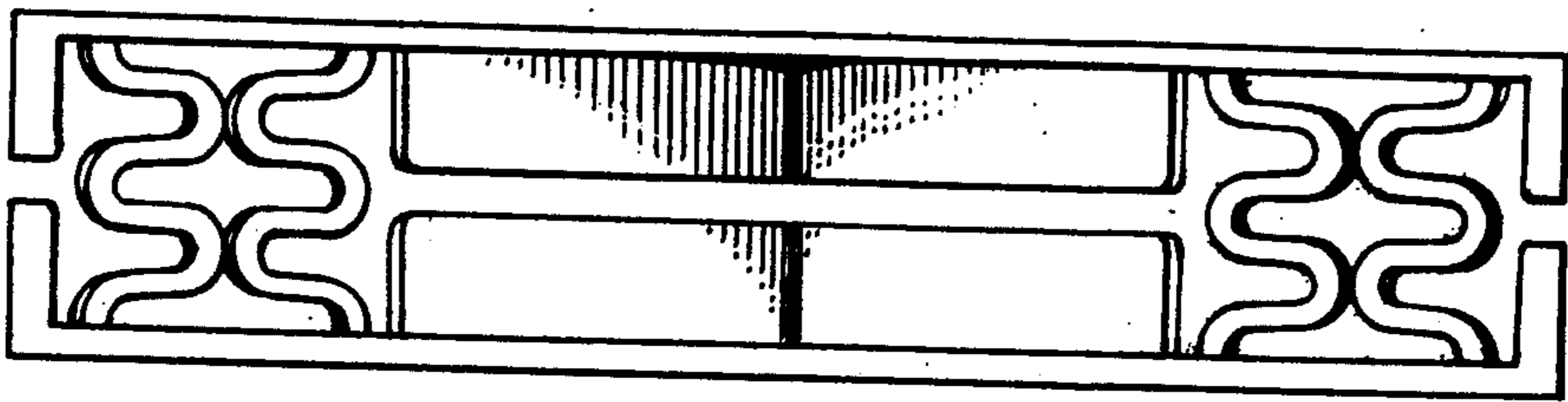


FIG. 3

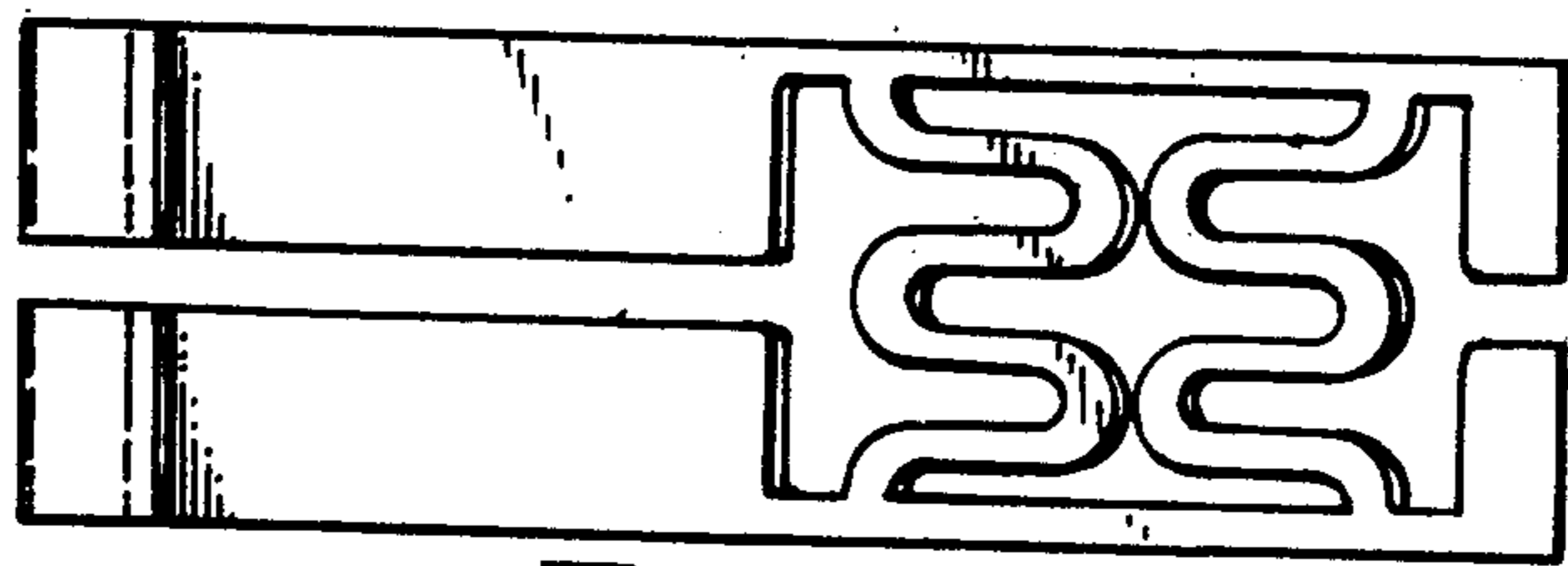


FIG. 4